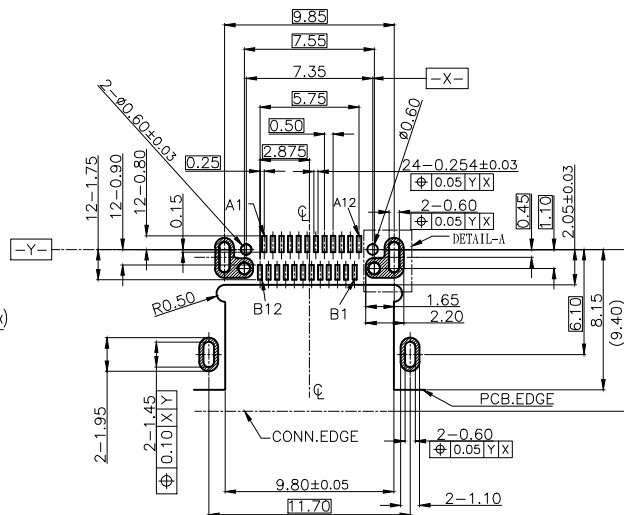
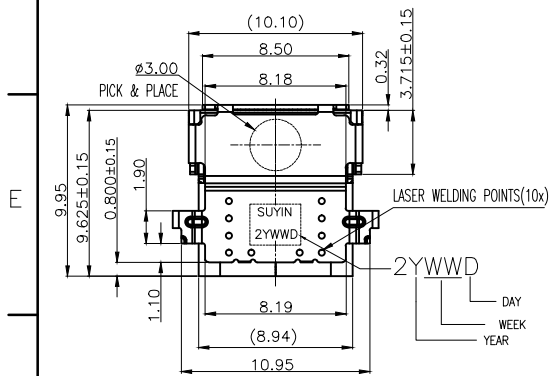


PIN ASSIGNMENT(Front)											
A1	A2	A3	A4	A5	A6	A7	A8	A9	A10	A11	A12
GND	TX1+	TX1-	Vbus	CC1	D+	D-	SBU1	Vbus	RX2-	RX2+	GND
GND	RX1+	RX1-	Vbus	SBU2	D-	D+	CC2	Vbus	TX2-	TX2+	GND
B12	B11	B10	B9	B8	B7	B6	B5	B4	B3	B2	B1

REV.	ECN NO OR DESCRIPTION	REVISED	DATE
A	PDR NO.:T210706-3A	ERIC	2022.04.01



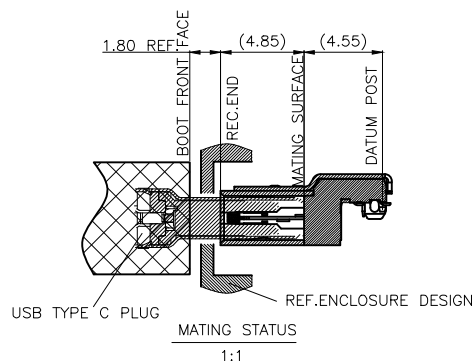
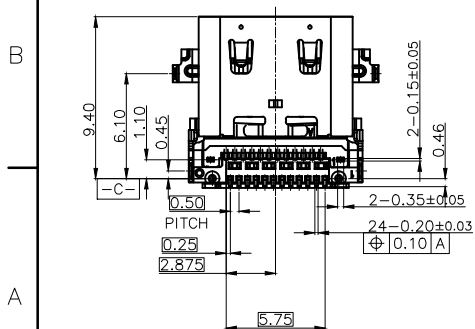
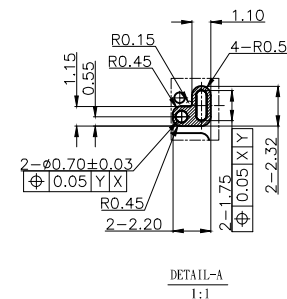
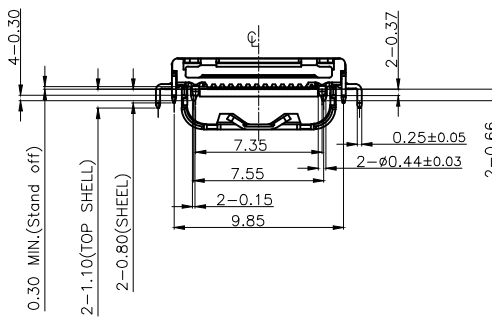
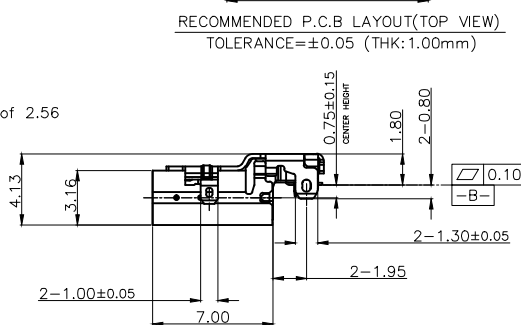
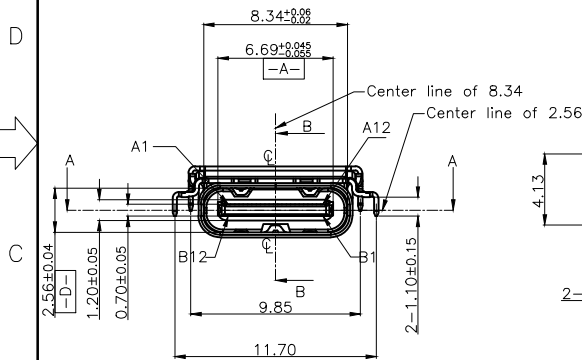
SPECIFICATIONS:

1. ELECTRICAL CHARACTERISTICS:

- 1-1. LLCR:  
VBUS & GND PINS: 40mΩ /PIN Max.  
OTHER PINS: 40mΩ /PIN Max.  
LLCR MAX. CHANGE OF ALL PINS: 10mΩ
- 1-2. CURRENT RATING: 3.0 A Max.
- 1-3. VOLTAGE RATING: 5.0 V.
- 1-4. INSULATION RESISTANCE: 100MΩ Min.
- 1-5. ENVIRONMENTAL PERFORMANCE:  
OPERATING TEMPERATURE: -55°C~+85°C.

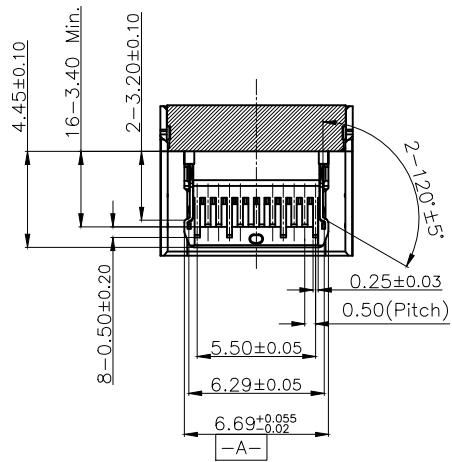
2. MECHANICAL CHARACTERISTICS:

- 2-1. MATING FORCE: 5N~20N
- 2-2. UNMATING FORCE: 14N~20N. (30 CYCLES) ; AFTER TEST 6N~20N.
- 3. LIFE TEST: 10,000 CYCLES Min.
- 4. TO CONFORM TO SINGATRON HAZARDOUS SUBSTANCE FREE SPEC.
- 5. HALOGEN FREE PRODUCT IDENTIFICATION MARK ON JACK:
- 6. HALOGEN FREE PRODUCT IDENTIFICATION LABEL ON PACKAGING:
- 7. FOR REFLOW SOLDERING LEAD-FREE PROCESS.



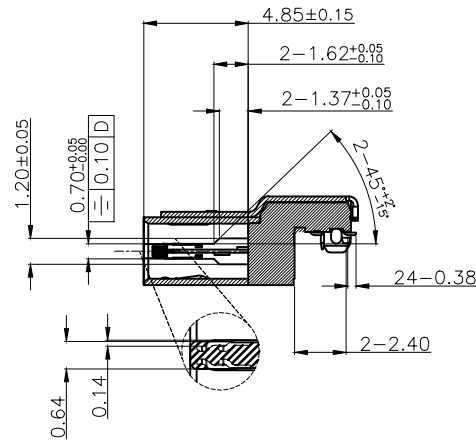
NO	DESCRIPTION	QTY	MATERIAL	PLATING & COLOR				
UNLESS OTHERWISE SPECIFIED TOLERANCES		Singatron Enterprise Co., Ltd. 信音企業股份有限公司						
DECIMALS: ANGLES:					TITLE: USB TYPE-C Dual SMT (C.H=-0.75)			
X	:±0.5	X	:±2°	DWN	Eric	PART NO: 2UB3C52-005111F		
X.X	:±0.3	X.X	:±1°	CHKD	Boye	SCALE:4:1	UNIT: mm	
X.XX	:±0.2			APVD	Liao	SIZE: A3	SHEET:1 OF 2	REV:A
CUSTOMER COPY								

REV.	ECN NO OR DESCRIPTION	REVISED	DATE
A	PDR NO.:T210706-3A	ERIC	2022.04.01



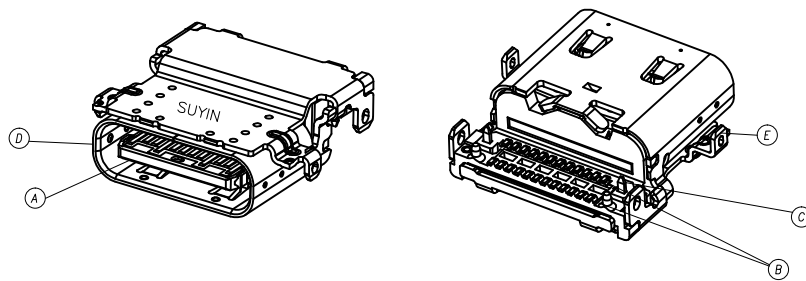
SECTION A-A

1:1



SECTION B-B

1:1



3D VIEW

E	TOP SHELL	1	SUS304,T=0.25	80μm Min. Solderable Nickel plating.
D	SHELL	1	SUS304,T=0.30	Cleaning
C	MID-GND	1	SUS301 T=0.15	80μm Min. Solderable Nickel plating.
B	CONTACT	24	C64775-H,T=0.12	Selective 30μm Min. Au plating on contact area, Selective 80μm Min. Matte Tin plating on solder tail area, and 80μm Min. Nickel under plating.
A	BODY	1	LCP 6808U UL94V-0	BLACK

NO	DESCRIPTION	QTY	MATERIAL	PLATING & COLOR
----	-------------	-----	----------	-----------------

UNLESS OTHERWISE SPECIFIED TOLERANCES

Singatron Enterprise Co., Ltd.  
信音企業股份有限公司

DECIMALS: ANGLES:  
X :±0.5 X :±2°  
X.X :±0.3 X.X :±1°  
X.XX :±0.2

TITLE	USB TYPE-C Dual SMT (C.H=-0.75)		
DWN	Eric	PART NO: 2UB3C52-005111F	
CHKD	Boye	SCALE:4:1	UNIT: mm
APVD	Liao	SIZE: A3	SHEET:2 OF 2
REV:A			

CUSTOMER COPY