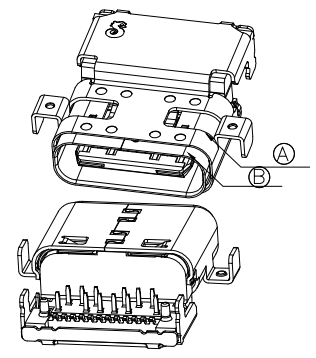
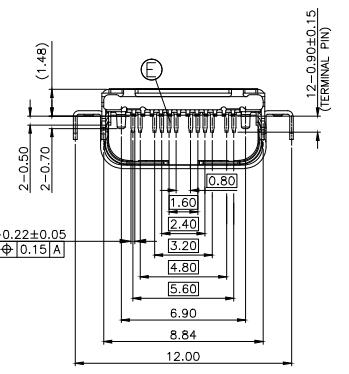
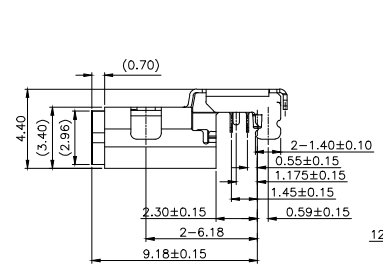
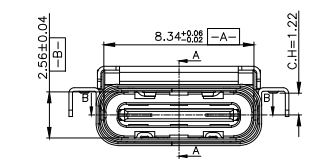
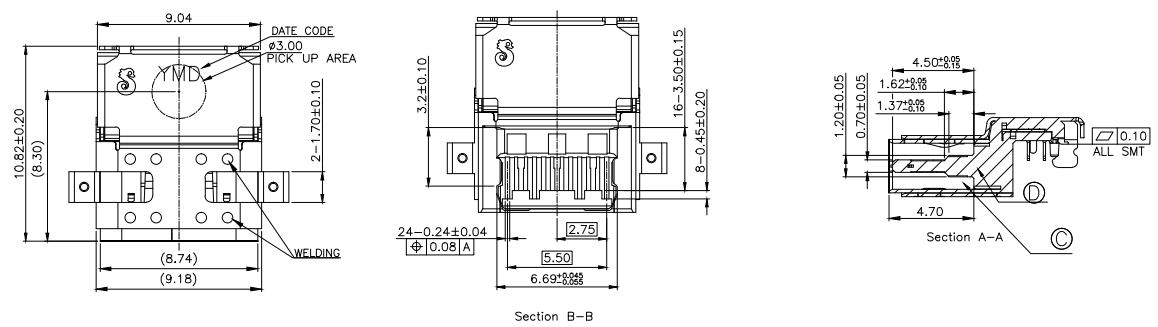


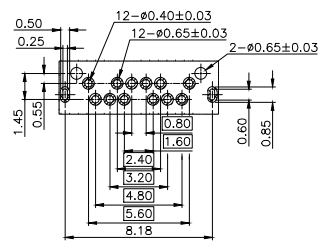
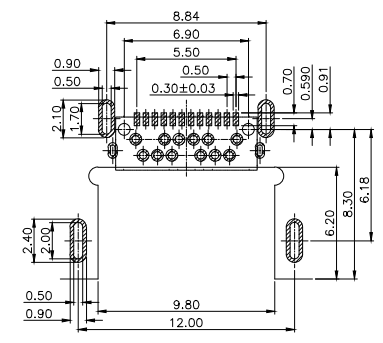
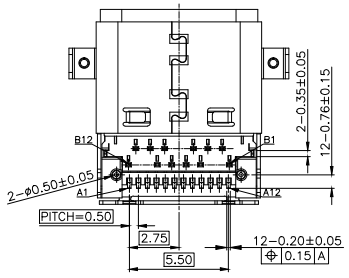
REV.	ECN NO OR DESCRIPTION	REVISED	DATE
A	PDR RELEASE	EVEN	2022.04.29

- SPECIFICATIONS:
- ELECTRICAL CHARACTERISTICS:
 - CURRENT RATING: 5.0A
 - VOLTAGE RATING: 20.0 V
 - LLCR: VBUS& GND PINS: 40mΩ/PIN MAX
OTHER PINS : 40mΩ/PIN MAX
LLCR MAX. CHANGE OF ALL PINS: 10mΩ
 - INSULATION RESISTANCE: 100MΩ MIN
 - MECHANICAL CHARACTERISTICS:
 - INSERTION FORCE: 0.5~2.0kg.
 - WITHDRAWAL FORCE: 0.8~2.0kg.(INITIAL) 0.6~2.0kg.(AFTER LIFE TEST)
 - DURABILITY: 15,000 CYCLES.
 - TO CONFORM TO THE SINGATRON HAZARDOUS SUBSTANCE FREE SPEC.
 - HALOGEN FREE PRODUCT IDENTIFICATION LABEL ON PACKAGING:
 - PACKAGE: SEE "2UB3C58-000111F" PACKAGE.
 - FOR REFLOW SOLDERING LEAD-FREE PROCESS.
 - OTHER GENERAL SPEC. TO REFER "2UB3C58-000111F SPEC".



PART NO. 2UB3C58-000111F

- SUFFIX: HALOGEN FREE
- PACKAGE: 1: TAPE & REEL
- HOUSING COLOR: 1: BLACK
- CONTACT PLATING: 1: 30u" Au ON MATING AREA, MATTE Sn 60u"Min. ON SOLDERING AREA, 50u" MIN. NICKEL UNDER PLATING OVERALL



RECOMMENDED PCB LAYOUT(TOP VIEW)
THICKNESS IS 1.0mm
(TOLERANCE=±0.05mm)

E	TERMINAL	24	C19400 T=0.12mm	SEE PART NO.
D	SIGNAL	1	SUS301R-H T=0.12mm	50u"MIN.NICKEL
C	HOUSING	1	PA9T UL 94V-0	BLACK
B	INNER SHELL	1	SUS304R-1/2H T=0.20mm	50u"MIN.NICKEL
A	OUTSIDE SHELL	1	SUS304R-1/2H T=0.20mm	50u"MIN.NICKEL
NO	DESCRIPTION	QTY	MATERIAL	PLATING & COLOR

UNLESS OTHERWISE SPECIFIED TOLERANCES

DECIMALS:	ANGLES:	TITLE	USB TYPE C (C.H=-1.22mm)
X :±0.5	X :±2°	DWN	EVEN 2022.04.29
X.X :±0.3	X.X :±1°	CHKD	SCALE 1:1 UNIT: mm
X.XX :±0.2		APVD	ANGELA2022.04.29

信音科技(香港)有限公司

PART NO. 2UB3C58-000111F

SIZE: A3 SHEET: 1 OF 1 REV: A

CUSTOMER COPY