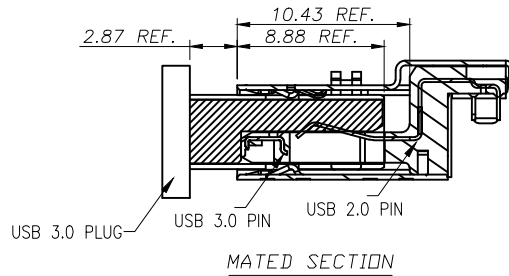
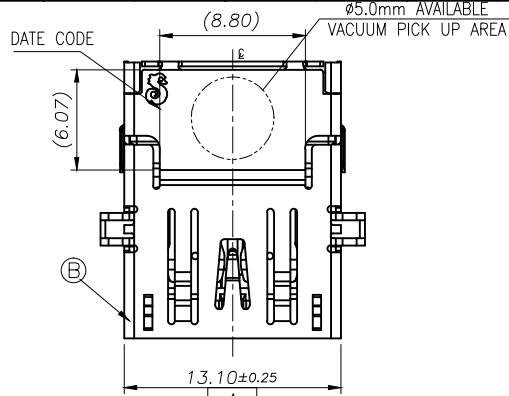


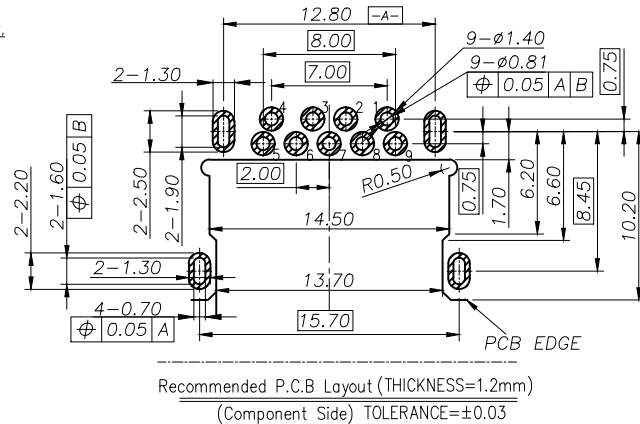
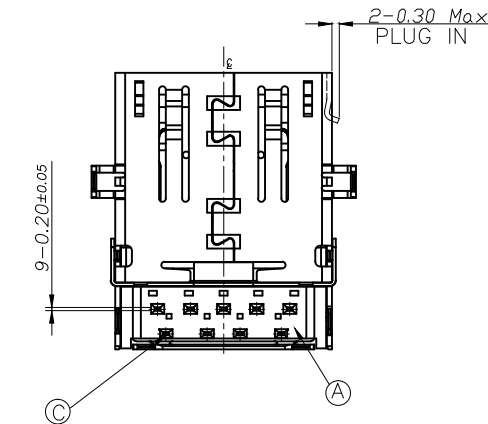
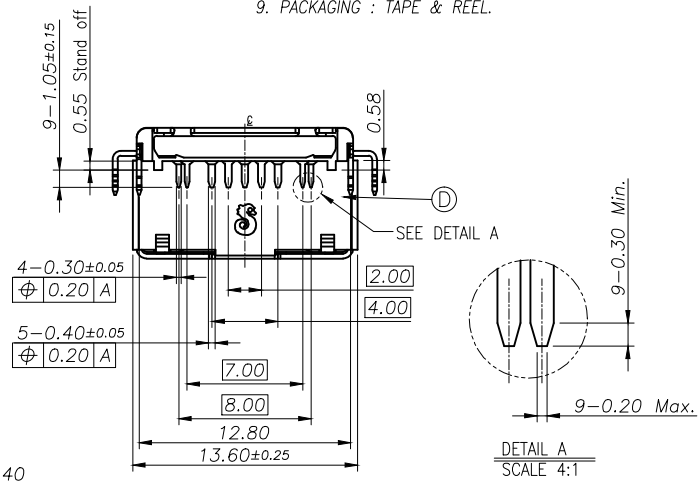
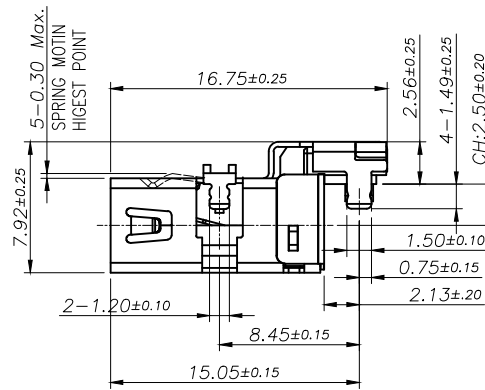
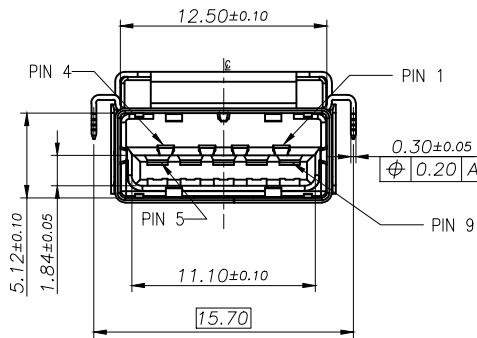
Pin	1	2	3	4	5	6	7	8	9
Signal NAME	VBUS	D-	D+	GND	StdA_SSRX-	StdA_SSRX+	GND_DRAIN	StdA_SSTX-	StdA_SSTX+

REV.	ECN NO OR DESCRIPTION	REVISED	DATE
A	PDR NO:T220301-7A	TAO	2022.10.18



SPECIFICATIONS:

- ELECTRICAL CHARACTERISTICS:
 - CURRENT RATING: 1.8A (PIN1,4) ; OTHER CONTACTS 0.25A
 - CONTACT RESISTANCE: 30mΩ Max.
 - DIELECTRIC WITHSTANDING VOLTAGE: 100V AC FOR 1 MINUTE
 - INSULATION RESISTANCE: 100MΩ Min.
- MECHANICAL CHARACTERISTICS:
 - INSERTION FORCE : 2.5 Kgf Max.
 - WITHDRAWAL FORCE : 1.0 Kgf Min(INITIAL),0.8 Kgf(AFTER TEST)
- DURABILITY: 5,000 CYCLES.
- TO CONFORM TO SINGATRON HAZARDOUS SUBSTANCE FREE SPEC.
- HALOGEN PRODUCT IDENTIFICATION MARK ON JACK: ©
- HALOGEN PRODUCT IDENTIFICATION LABEL ON PACKAGING:
- FOR IR REFLOW PROCESS.
- DATE : YYMMDD-
- PACKAGING : TAPE & REEL.



D	SHELL COVER	1	SUS430 T=0.20	Cleaning
C	TERMINAL	9	COPPER ALLOY T=0.20	60uin Min. Gold plating on contact area, 60uin Min. Matte Tin plating on solder tail, and 60uin Min. Nickel under plating.
B	SHELL	1	SUS430 T=0.30	NICKEL 60uin Min.
A	HOUSING	1	HIGH THERMOPLASTIC UL94 V-0	BLACK
NO	DESCRIPTION	QTY	MATERIAL	PLATING & COLOR
UNLESS OTHERWISE SPECIFIED TOLERANCES		Singatron Enterprise Co., Ltd. 信音企業股份有限公司		
DECIMALS:		TITLE		
X	:±0.5	USB 3.0 REVERSE CONNECTOR		
X.X	:±0.3	DWN	TAO	PART NO.2UB3M03-009101F
X.XX	:±0.2	CHKD	ALLEN	SCALE 1:1 UNIT: mm
		APVD	BOYE	SIZE: A3 SHEET:1 OF 1 REV:A
CUSTOMER COPY				