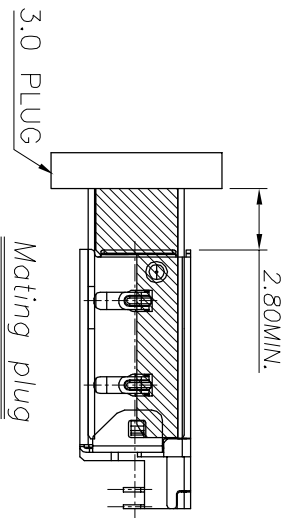
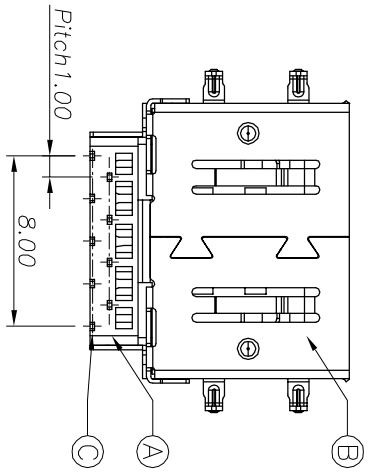
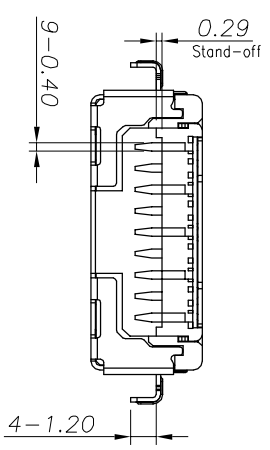
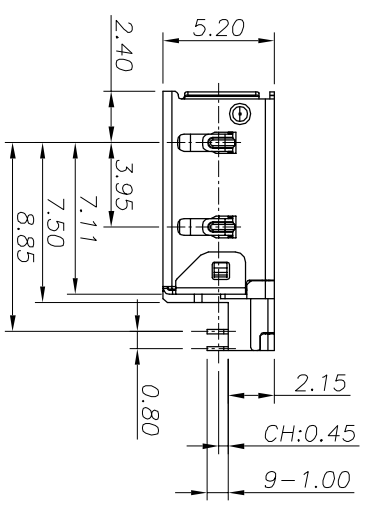
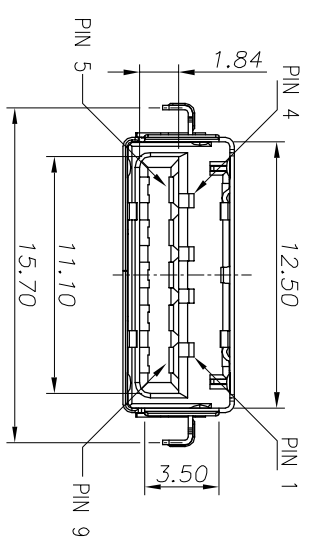


Recommended P.C.B Layout  
TOLERANCE = ±0.05

**SPECIFICATIONS:**

1. ELECTRICAL CHARACTERISTICS:
  - 1-1. CURRENT RATING: 1.8A (PIN1,4) ; OTHER CONTACTS 0.25A
  - 1-2. CONTACT RESISTANCE: 30mΩ MAX.
  - 1-3. DIELECTRIC WITHSTANDING VOLTAGE: 100V AC FOR 1 MINUTE
  - 1-4. INSULATION RESISTANCE: 100MΩ MIN
2. TO CONFORM TO SINGATRON HAZARDOUS SUBSTANCE FREE SPEC.
3. HALOGEN PRODUCT IDENTIFICATION MARK ON JACK: Ⓢ
4. HALOGEN PRODUCT IDENTIFICATION LABEL ON PACKAGING: Ⓢ
5. FOR WAVE SOLDERING LEAD-FREE PROCESS.
6. DATE : YMMDD
7. PACKAGING : TAPE & REEL.
8. Ⓢ REPRESENT CPK DIMENSIONS.



Pin Number	Signal ASSIGNMENT
PIN 1	VBUS
PIN 2	D-
PIN 3	D+
PIN 4	GND
PIN 5	SiDA_SSRX-
PIN 6	SiDA_SSRX+
PIN 7	GND_DRAIN
PIN 8	SiDA_SSTX-
PIN 9	SiDA_SSTX+

NO	DESCRIPTION	QTY	MATERIAL	PLATING & COLOR
C	TERMINAL	9	COPPER ALLOY	
B	SHELL	1	SUSS304	NICKEL 60u"MIN
A	HOUSING	1	HIGH THERMOPLASTIC	UI94 V-0 BLACK

UNLESS OTHERWISE SPECIFIED TOLERANCES

DECIMALS:	ANGLES:	TITLE	Part No.
X : ±0.5	X : ±2°	USB 3.0 REVERSE CONNECTOR	2UB3M04-001201P
X.X : ±0.3	X.X : ±1°	CHKD James	SCALE 1:1
X.XX : ±0.2		APVD Boye	SIZE: A3 SHEET: 1 OF 1 REV: 4

CUSTOMER COPY

REV	EGN NO OR DESCRIPTION	REVISED	DATE
A	PDR NO. T180907-4A	Mystic	2020.04.29