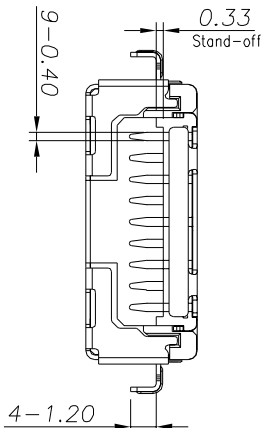
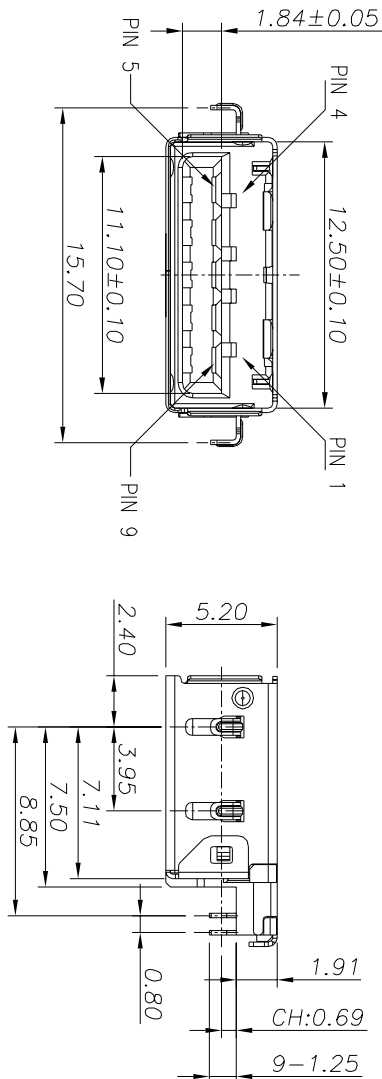
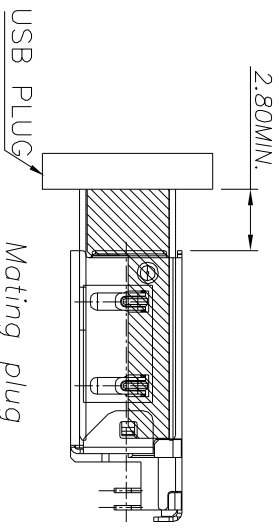
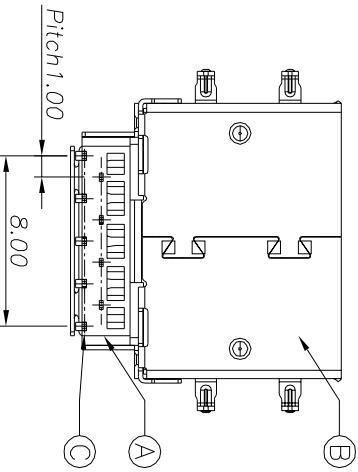


Recommended P.C.B Layout
(TOP VIEW) TOLERANCE=±0.05



- SPECIFICATIONS:**
- ELECTRICAL CHARACTERISTICS:
 - CURRENT RATING: 1.84 (PIN1,4) ; OTHER CONTACTS 0.25A
 - CONTACT RESISTANCE: 30mΩ MAX.
 - DIELECTRIC WITHSTANDING VOLTAGE: 100V AC FOR 1 MINUTE
 - INSULATION RESISTANCE: 100MΩ MIN
 - MECHANICAL CHARACTERISTICS:
 - INSERTION FORCE : 2.5 kgf MAX
 - WITHDRAWAL FORCE : 1.0 kgf MIN(INITIAL),0.8 kgf MIN(AFTER TEST)
 - DURABILITY: 5,000 CYCLES.
 - TO CONFORM TO SINGATRON HAZARDOUS SUBSTANCE FREE SPEC.
 - HALOGEN FREE IDENTIFICATION MARK ON JACK:
 - FOR IR REFLOW PROCESS.
 - DATE : YYMMDD or YYMD
 - PACKAGING : TAPE & REEL.



TERMINAL	QTY	MATERIAL	PLATING & COLOR
C TERMINAL	9	C5210-EH	NICKEL 60u"MIN
B SHELL	1	SUS304	60u"NICKEL UNDER PLATING OVERALL
A HOUSING	1	PA9T 45%GF	U194 V-0 BLACK
NO DESCRIPTION			

DECIMALS:	ANGLES:	TITLE	PART NO.	UNIT:	REV:
X :±0.5	X :±2°	DWN	Mystic	mm	A
X.X :±0.3	X.X :±1°	CHKD	James	mm	A
X.XX :±0.2		APVD	Boye	mm	A

Singatron Enterprise Co., Ltd. 信音企業股份有限公司	
USB 3.0 REVERSE CONNECTOR	
PART NO. 2UB3M04-014201F	
SCALE 1:1	SIZE: A3
SHEET: 1 OF 1	

CUSTOMER COPY

