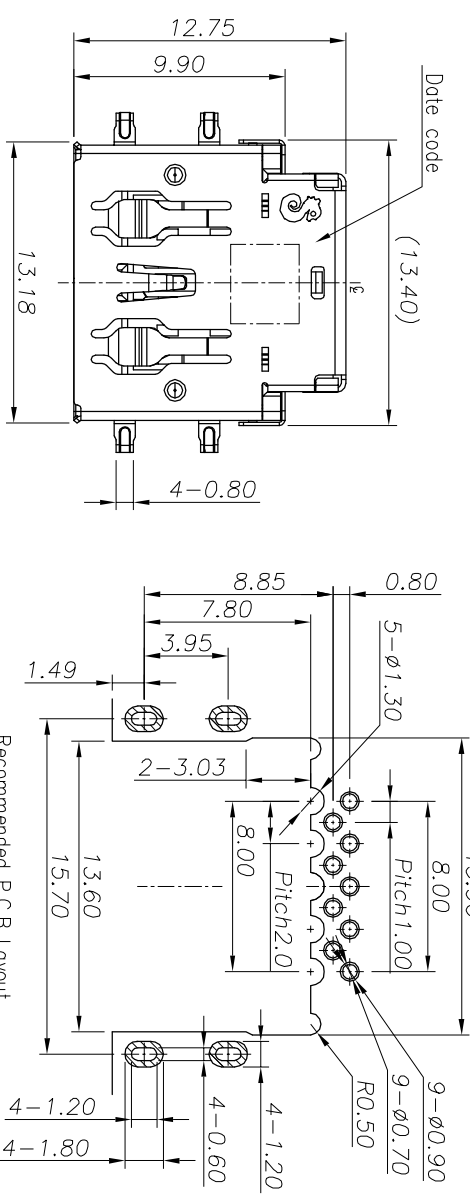
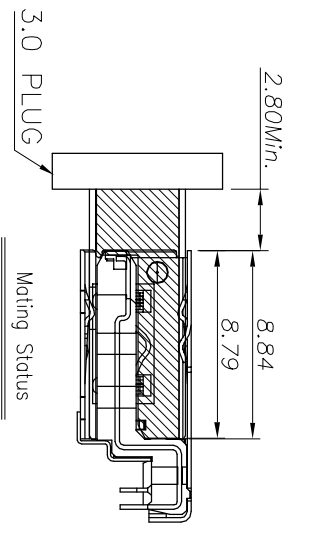
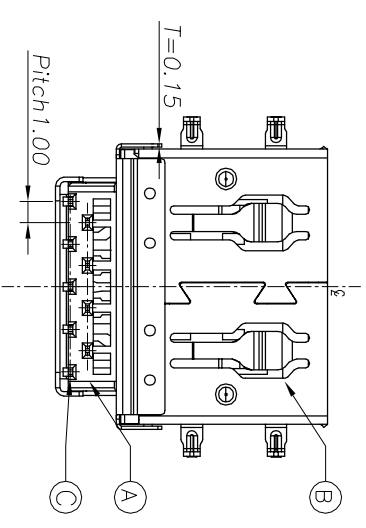
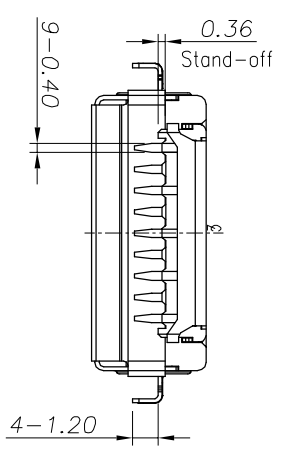
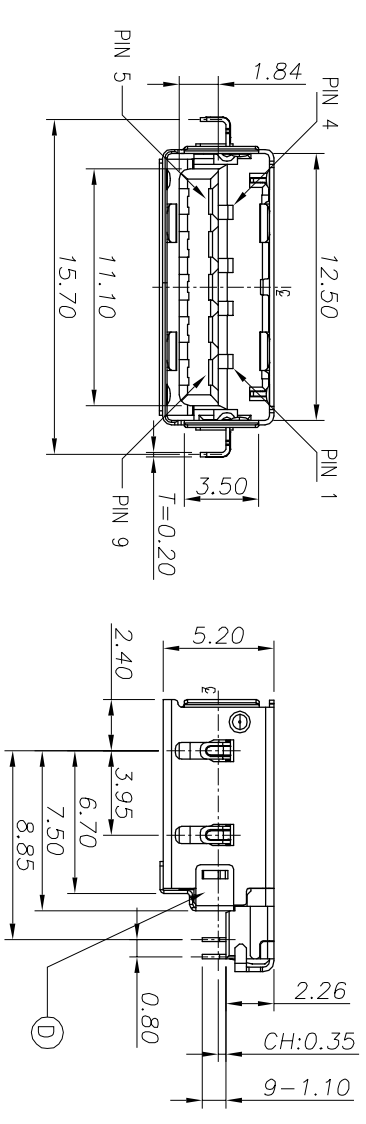


Pin Number	PIN 1	PIN 2	PIN 3	PIN 4	PIN 5	PIN 6	PIN 7	PIN 8	PIN 9
Signal ASSIGNMENT	VBUS	D-	D+	GND	SIG4_SSPX	SIG4_SSPX+GND_DRAIN	SIG4_SSTX	SIG4_SSTX+	

REV.	ECN NO OR DESCRIPTION	REVISED	DATE
A	PDR NO. T200427-2A	chenlong	2021.06.28
B	ECN NO:S202107-C06	chenlong	2021.08.24



Recommended P.C.B Layout
(TOP VIEW) TOLERANCE = ±0.05



D	SHELL COVER	1	STAINLESS STEEL, T=0.15mm	Cleaning
C	TERMINAL	9	PHOSPHOR BRONZE T=0.20mm	Pin Au plating on contact area 40-100µm Under the position of solder hot area, and 60µm Nickel under plating.
B	SHELL	1	STAINLESS STEEL, T=0.20mm	60µm Min. Solderable Nickel plating
A	HOUSING	1	HIGH TEMPERATURE PLASTIC UL 94V-0	BLACK
NO	DESCRIPTION	QTY	MATERIAL	PLATING & COLOR
UNLESS OTHERWISE SPECIFIED TOLERANCES				
DECIMALS: ANGLES:				
X	:±0.5	X	:±2°	
X.X	:±0.3	X.X	:±1°	
X.XX	:±0.2			
TITLE: USB 3.0 REVERSE CONNECTOR				
DWN: chenlong PART NO. 2UB3M04-024201F				
CHKD: Boye SCALE 1:1 UNIT: mm				
APVD: Lioo SIZE: A3 SHEET: 1 OF 1 REV: B				
CUSTOMER COPY				

- SPECIFICATIONS:
- ELECTRICAL CHARACTERISTICS:
 - 1-1. CURRENT RATING: 1.8A (PIN1,4) ; OTHER CONTACTS 0.25A
 - 1-2. CONTACT RESISTANCE: 30mΩ Max.
 - 1-3. DIELECTRIC WITHSTANDING VOLTAGE: 100V AC FOR 1 MINUTE
 - 1-4. INSULATION RESISTANCE: 100MΩ Min.
 - TO CONFORM TO SINGATRON HAZARDOUS SUBSTANCE FREE SPEC.
 - HALOGEN PRODUCT IDENTIFICATION MARK ON JACK: ©
 - HALOGEN PRODUCT IDENTIFICATION LABEL ON PACKAGING: ©
 - FOR WAVE SOLDERING LEAD-FREE PROCESS.
 - DATE : YYMMDD
 - PACKAGING : TAPE & REEL.