

Pin Number	PIN 1	PIN 2	PIN 3	PIN 4	PIN 5	PIN 6	PIN 7	PIN 8	PIN 9
Signal ASSIGNMENT	VBUS	D-	D+	GND	StdA_SSRX-	StdA_SSRX+	GND_DRAIN	StdA_SSTX-	StdA_SSTX+

REV.	ECN NO OR DESCRIPTION	REVISED	DATE
A	PDR NO. T200630-2A	BING	2021.04.27
B	ECN NO. S202111-R05	BING	2022.04.01

SPECIFICATIONS:

1. ELECTRICAL CHARACTERISTICS:

- 1-1. CURRENT RATING: 2.0A (PIN1,4); OTHER CONTACTS 0.25A.
- 1-2. CONTACT RESISTANCE: 30mΩ Max.
- 1-3. DIELECTRIC WITHSTANDING VOLTAGE: 500V AC FOR 1 MINUTE.
- 1-4. INSULATION RESISTANCE: 100MΩ Min.


2. MECHANICAL CHARACTERISTICS:


- 2-1. INSERTION FORCE: 35N Max. INITIAL.
- 2-2. WITHDRAWAL FORCE: 10N Min. INITIAL, 8N Min. FOR AFTER TEST.

3. DURABILITY: 5,000 CYCLES.

4. OTHER SPEC TO REFER USB 3.1 SPEC.

5. TO CONFORM TO SINGATRON HAZARDOUS SUBSTANCE FREE SPEC.

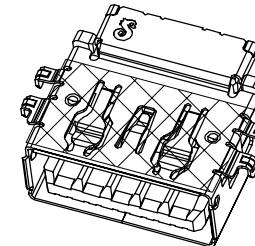
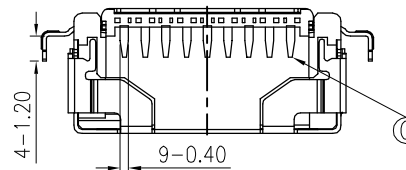
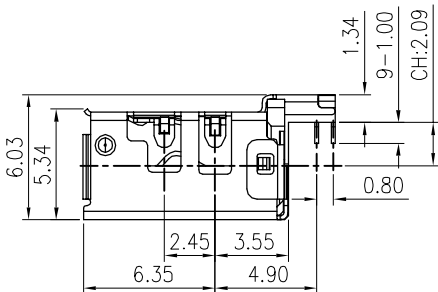
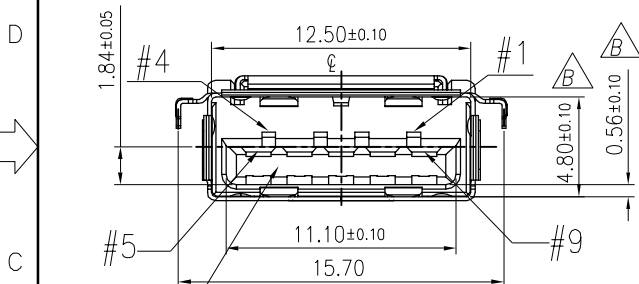
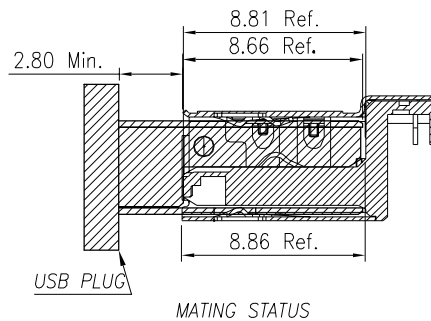
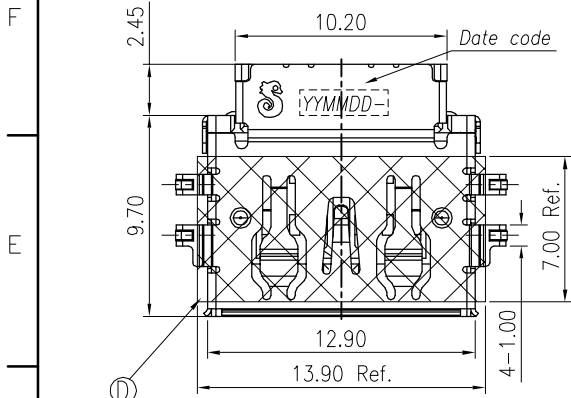
6. HALOGEN FREE PRODUCT IDENTIFICATION MARK: 

7. HALOGEN FREE PRODUCT IDENTIFICATION LABEL ON PACKAGING: 

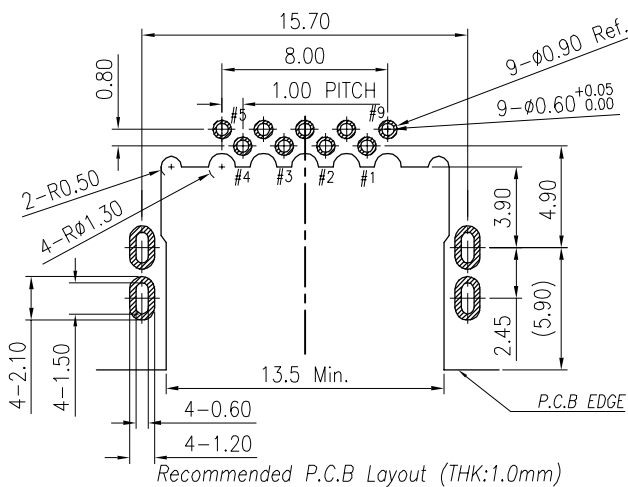
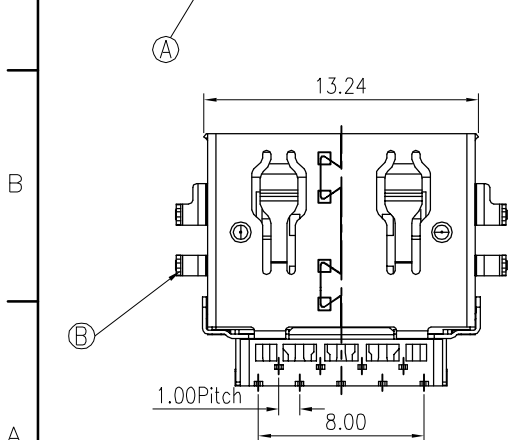
8. FOR REFLOW SOLDERING LEAD-FREE PROCESS.

9. PACKAGING: TAPE & REEL.

10. DATE CODE: YYMMDD-



3D VIEW



Recommended P.C.B Layout (THK:1.0mm)

Top View (Tol:±0.05)

D	MYLAR	1	13.90*7.00	YELLOW
C	9P TERMINAL	9	COPPER ALLOY T=0.20mm	Twin Au PLATING ON CONTACT AREA: 600µin Min. Matte. Sn PLATING ON SOLDERING AREA ALL OVER 60µin NICKEL PLATING.
B	SHELL	1	SUS304 1/2H T=0.20mm	60µin Min. NICKEL
A	HOUSING	1	HIGH-THERMAL PLASTIC UL94 V-0	BLACK
NO	DESCRIPTION	QTY	MATERIAL	PLATING & COLOR
UNLESS OTHERWISE SPECIFIED TOLERANCES		 Singatron Enterprise Co., Ltd.  信音企業股份有限公司		
DECIMALS:		TITLE USB 3.0 REVERSE CONNECTOR FOR GEN2 10G		
X	:±0.5	X	:±2'	DWN BING PART NO.2UB3M04-026201F
X.X	:±0.3	X.X	:±1'	CHKD ALLEN SCALE 4:1 UNIT: mm
X.XX	:±0.2	APVD	BOYE	SIZE: A3 SHEET:1 OF 1 REV:B

CUSTOMER COPY