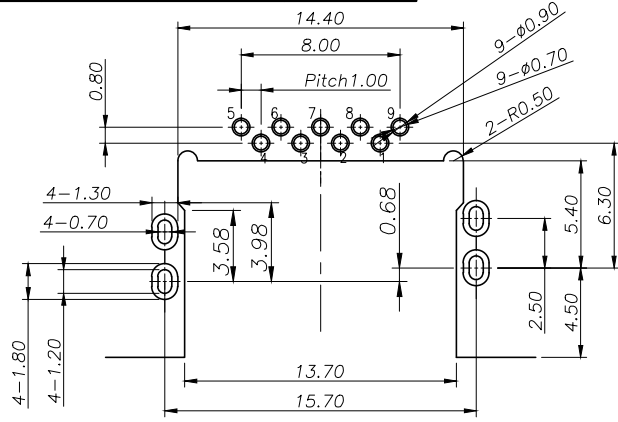
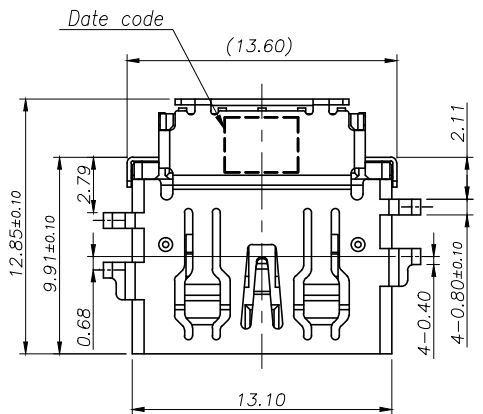


1	2	3	4	5	6	7	8			
Pin Number	PIN 1	PIN 2	PIN 3	PIN 4	PIN 5	PIN 6	PIN 7	PIN 8	PIN 9	可滿足GEN2,無法取得TID
Signal ASSIGNMENT	VBUS	D-	D+	GND	StdA_SSRX-	StdA_SSRX+	GND_DRAIN	StdA_SSTX-	StdA_SSTX+	

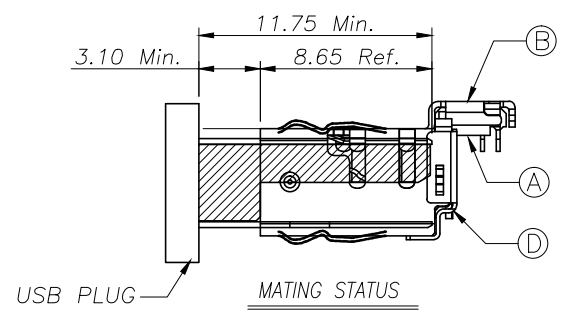
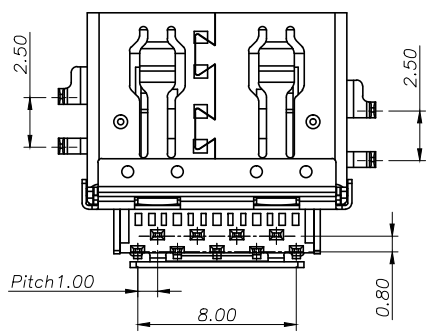
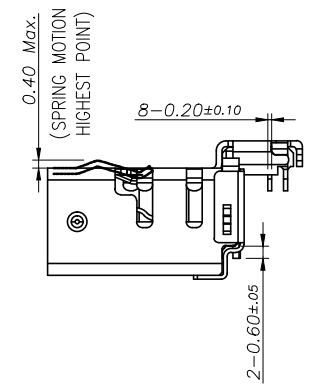
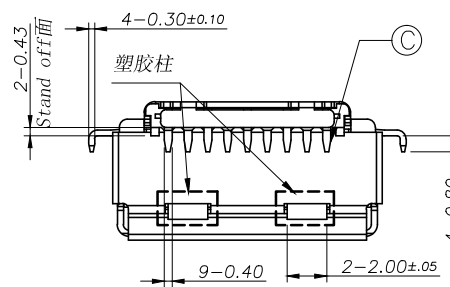
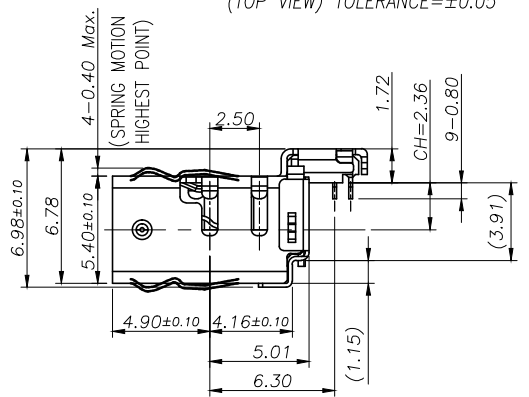
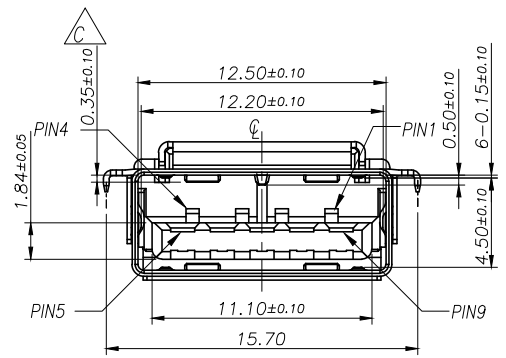
REV.	ECN NO OR DESCRIPTION	REVISED	DATE
A	PDR NO. T201026-6A	BING	2021.12.02
B	ECN NO. S202112-C11	BING	2021.12.22
C	ECN NO. S202302-C10	BING	2023.05.19

SPECIFICATIONS:

- ELECTRICAL CHARACTERISTICS:
 - CURRENT RATING: 1.8A (PIN1,4) ; OTHER CONTACTS 0.25A;
 - CONTACT RESISTANCE: 30mΩ Max.
 - DIELECTRIC WITHSTANDING VOLTAGE: 100V AC FOR 1 MINUTE;
 - INSULATION RESISTANCE: 100MΩ Min.
- MECHANICAL CHARACTERISTICS:
 - INSERTION FORCE: 3.5 Kgf Max.
 - WITHDRAWAL FORCE: 1.00~2.50Kgf AFTER TEST: 0.80~2.50Kgf;
- DURABILITY: 5,000 CYCLES.
- TO CONFORM TO SINGATRON HAZARDOUS SUBSTANCE FREE SPEC.
- HALOGEN FREE IDENTIFICATION MARK ON JACK: Ⓢ
- HALOGEN FREE IDENTIFICATION LABEL ON PACKAGING: Ⓢ
- FOR REFLOW SOLERING LEAD-FREE PROCESS.
- DATE : YYMMDD
- PACKAGING : TAPE & REEL.



Recommended P.C.B Layout
(TOP VIEW) TOLERANCE=±0.05



D	COVER	1	SUS430 T=0.20mm	清洗			
C	TERMINAL	9	C5210 T=0.20mm	G/F Plating On Contact Area; 100µin Min. Matte. 1µm Plating On Solder Tail Area; AND 60µin Nickel Under Plating;			
B	SHELL	1	SUS304 T=0.30mm	60µin NICKEL Min.			
A	HOUSING	1	PA9T UL94 V-0	BLACK			
NO	DESCRIPTION	QTY	MATERIAL	PLATING & COLOR			
UNLESS OTHERWISE SPECIFIED TOLERANCES		Singatron Enterprise Co., Ltd. 信音企業股份有限公司					
DECIMALS:		ANGLES:	TITLE				
X	:±0.5	X	:±2'	DWN	BING	USB 3.0 REVERSE CONNECTOR FOR GEN2	
X.X	:±0.3	X.X	:±1'	CHKD	Allen	SCALE 4:1	UNIT: mm
X.XX	:±0.2			APVD	Boye	SIZE: A3	SHEET: 1 OF 1
				REV: C			
CUSTOMER COPY							