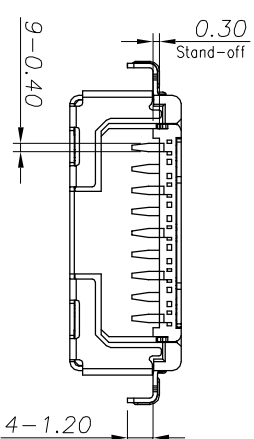
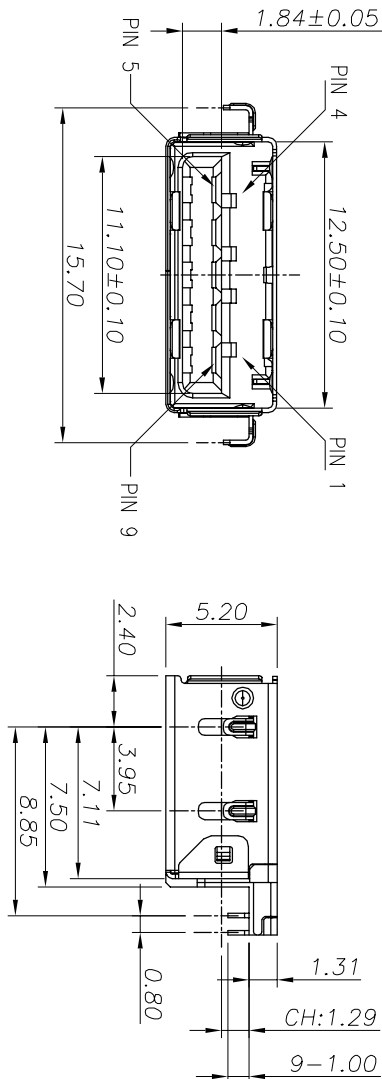
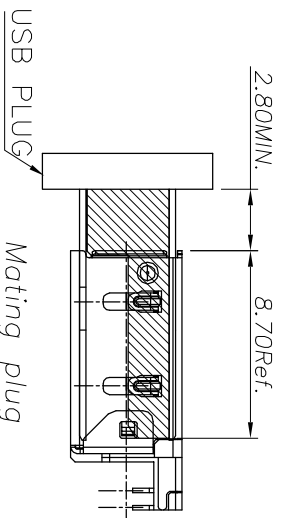
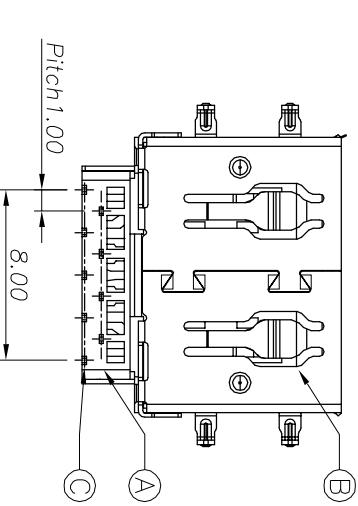


Recommended P.C.B Layout  
(TOP VIEW) TOLERANCE=±0.05

- SPECIFICATIONS:**
- ELECTRICAL CHARACTERISTICS:
    - CURRENT RATING: 1.8A(PIN1,4); OTHER CONTACTS 0.25A.
    - CONTACT RESISTANCE: 30mΩ Max.
    - DILECTRIC WITHSTANDING VOLTAGE: 100V AC FOR 1 MINUTE.
    - INSULATION RESISTANCE: 100MΩ Min.
  - MECHANICAL CHARACTERISTICS:
    - INSERTION FORCE: 35N Max.
    - WITHDRAWAL FORCE: 10N Min.(INITIAL), 8N Min.(AFTER TEST).
  - DURABILITY: 5,000 CYCLES.
  - TO CONFORM TO SINGATRON HAZARDOUS SUBSTANCE FREE SPEC.
  - HALOGEN FREE IDENTIFICATION MARK ON JACK:
  - HALOGEN FREE IDENTIFICATION LABEL ON PACKAGING:
  - FOR REFLOW SOLDERING LEAD-FREE PROCESS.
  - DATE: YYMMDD or YMD.
  - PACKAGING: TAPE & REEL.



Pin Number	Signal ASSIGNMENT
PIN 1	VBUS
PIN 2	D-
PIN 3	D+
PIN 4	GND
PIN 5	Stda_SSRX-
PIN 6	Stda_SSRX+
PIN 7	GND_DRAIN
PIN 8	Stda_SSTX-
PIN 9	Stda_SSTX+



C	TERMINAL	1	COPPER ALLOY T=0.2		
B	SHELL	9	SUS304 TO.20	60μm Min. Solderable Nickel plating.	
A	HOUSING	1	HIGH TEMPERATURE THERMOPLASTIC UL94 V-0	BLUE (300C)	
NO	DESCRIPTION	QTY	MATERIAL	PLATING & COLOR	

UNLESS OTHERWISE SPECIFIED TOLERANCES

Singatron Enterprise Co., Ltd.  
信音企業股份有限公司

DECIMALS:	ANGLES:	TITLE	USB 3.0 REVERSE CONNECTOR
X :±0.5	X :±2°	DWM	x100 PART NO.2UB3M04-040201F
X.X :±0.3	X.X :±1°	CHKD	allen SCALE 4:1 UNIT: mm
X.XX :±0.2		APVD	boye SIZE: A3 SHEET:1 OF 1 REV: A

CUSTOMER COPY

REV	ECN NO OR DESCRIPTION	REVISED	DATE
A	PDR NO. T210416-1A	XHAO	2021.11.01

