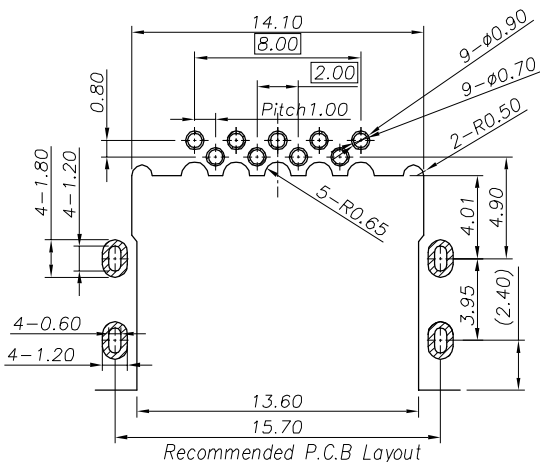
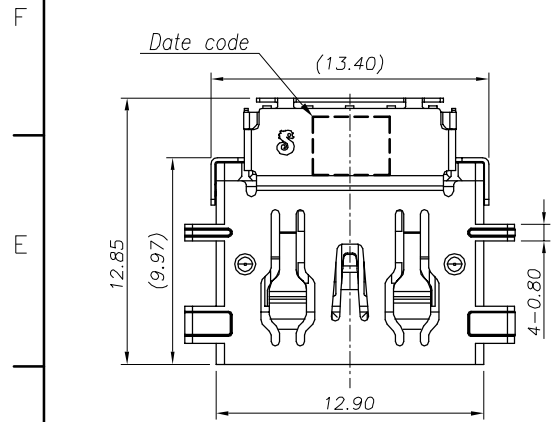


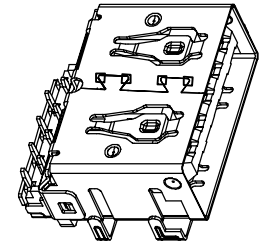
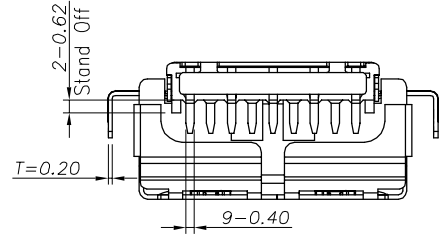
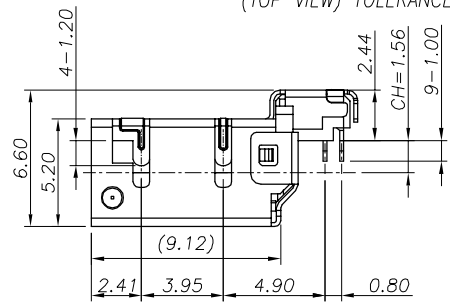
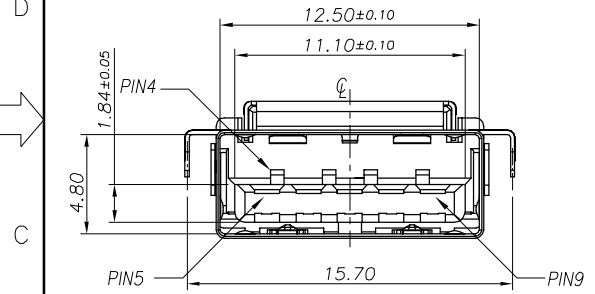
	1	2	3	4	5	6	7	8	
Pin Number	PIN 1	PIN 2	PIN 3	PIN 4	PIN 5	PIN 6	PIN 7	PIN 8	PIN 9
Signal ASSIGNMENT	VBUS	D-	D+	GND	StdA_SSRX-	StdA_SSRX+	GND_DRAIN	StdA_SSTX-	StdA_SSTX+

REV.	ECN NO OR DESCRIPTION	REVISED	DATE
A	PDR NO. T210604-2A	BING	2022.04.18

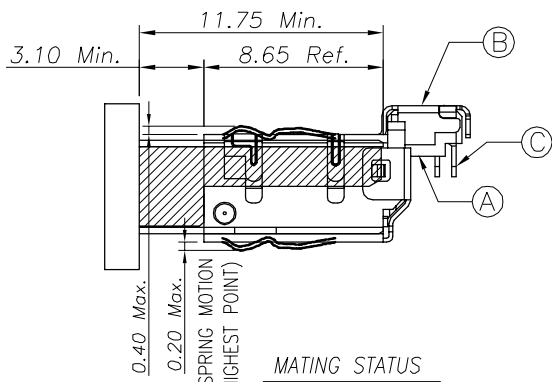
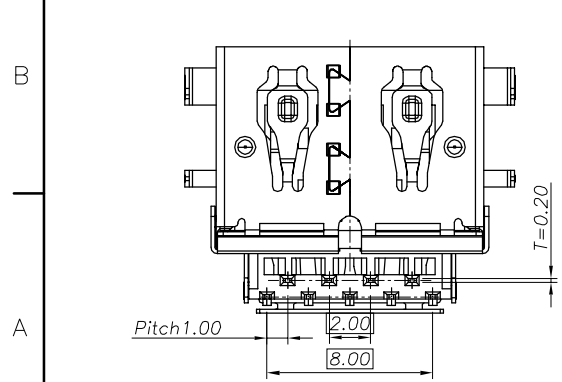


- SPECIFICATIONS:
- ELECTRICAL CHARACTERISTICS:
 - CURRENT RATING: 1.8A (PIN1,4) ; OTHER CONTACTS 0.25A
 - CONTACT RESISTANCE: 30mΩ Max.
 - DIELECTRIC WITHSTANDING VOLTAGE: 100V AC FOR 1 MINUTE
 - INSULATION RESISTANCE: 100MΩ Min.
 - MECHANICAL CHARACTERISTICS:
 - INSERTION FORCE: 3.5 Kgf Max.
 - WITHDRAWAL FORCE: 1.0~2.5Kgf ; AFTER TEST: 0.8~2.5Kgf
 - DURABILITY: 5,000 CYCLES.
 - TO CONFORM TO SINGATRON HAZARDOUS SUBSTANCE FREE SPEC.
 - HALOGEN FREE IDENTIFICATION MARK ON JACK: Ⓞ
 - HALOGEN FREE IDENTIFICATION LABEL ON PACKAGING: Ⓞ
 - FOR REFLOW SOLERING LEAD-FREE PROCESS.
 - DATE : YYMMDD
 - PACKAGING : TAPE & REEL.

Recommended P.C.B Layout
(TOP VIEW) TOLERANCE=±0.05



3D VIEW



C	TERMINAL	9	COPPER ALLOY	G/F PLATING ON CONTACT AREA: #40µin Min. Matte. Tin PLATING ON SOLDERING TAIL AREA; AND 60µin NICKEL UNDER PLATING;
B	SHELL	1	SUS304 T=0.20mm	60µin NICKEL Min.
A	HOUSING	1	PA10T UL94V-0	BLACK
NO	DESCRIPTION	QTY	MATERIAL	PLATING & COLOR
UNLESS OTHERWISE SPECIFIED TOLERANCES		Singatron Enterprise Co., Ltd. 信音企業股份有限公司		
DECIMALS:		TITLE		
X	:±0.5	X	:±2°	DWN BING PART NO.2UB3M04-041201F
X.X	:±0.3	X.X	:±1°	CHKD Allen SCALE 4:1 UNIT: mm
X.XX	:±0.2	APVD	Boye	SIZE: A3 SHEET:1 OF 1 REV:A
CUSTOMER COPY				