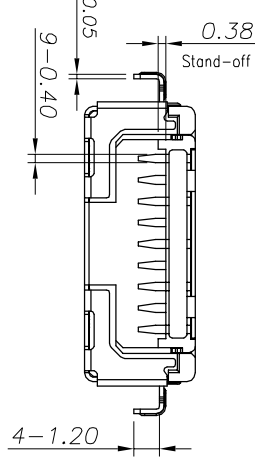
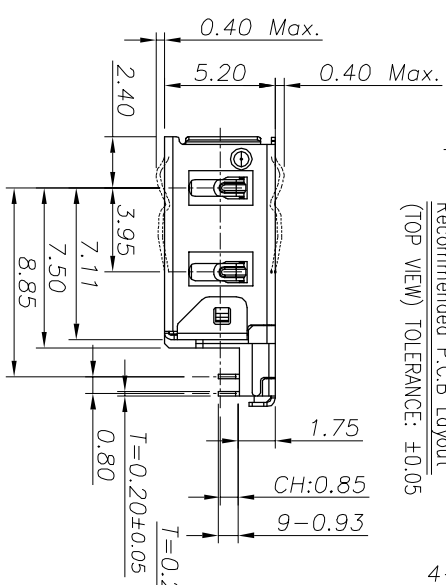
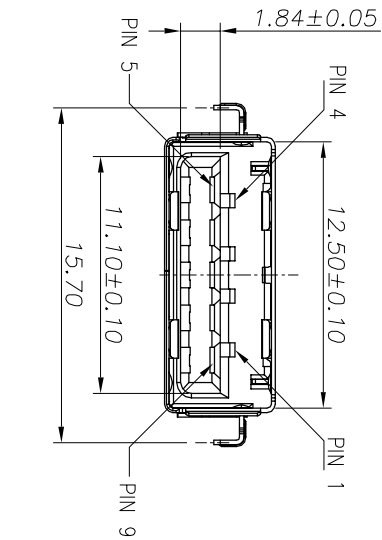
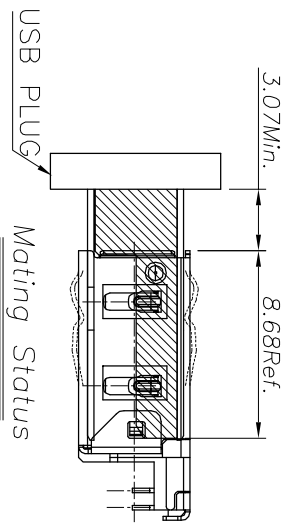
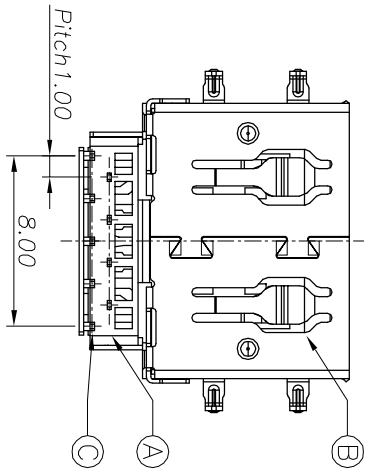


- SPECIFICATIONS:**
- ELECTRICAL CHARACTERISTICS:**
    - CURRENT RATING: 1.8A (PIN1,4) ; OTHER CONTACTS 0.25A
    - CONTACT RESISTANCE: 30mΩ Max.
    - DIELECTRIC WITHSTANDING VOLTAGE: 100V AC FOR 1 MINUTE
    - INSULATION RESISTANCE: 100MΩ Min.
  - MECHANICAL CHARACTERISTICS:**
    - INSERTION FORCE : 3.57 Kgf Max.
    - WITHDRAWAL FORCE : 2.54 Kgf Max. 1.02 Kgf Min.(AFTER TEST)
    - DURABILITY: 1,500 CYCLES.
    - TO CONFORM TO SINGATRON HAZARDOUS SUBSTANCE FREE SPEC.
    - HALOGEN FREE IDENTIFICATION LABEL ON PACKAGING: (P)
    - FOR IR REFLOW PROCESS.
    - DATE : YMMDD or YMD
    - PACKAGING : TAPE & REEL.



Pin Number	Signal ASSIGNMENT
PIN 1	VBUS
PIN 2	D-
PIN 3	D+
PIN 4	GND
PIN 5	SDA_SSPX-
PIN 6	SDA_SSPX+
PIN 7	GND_DRAIN
PIN 8	SDA_SSTX-
PIN 9	SDA_SSTX+

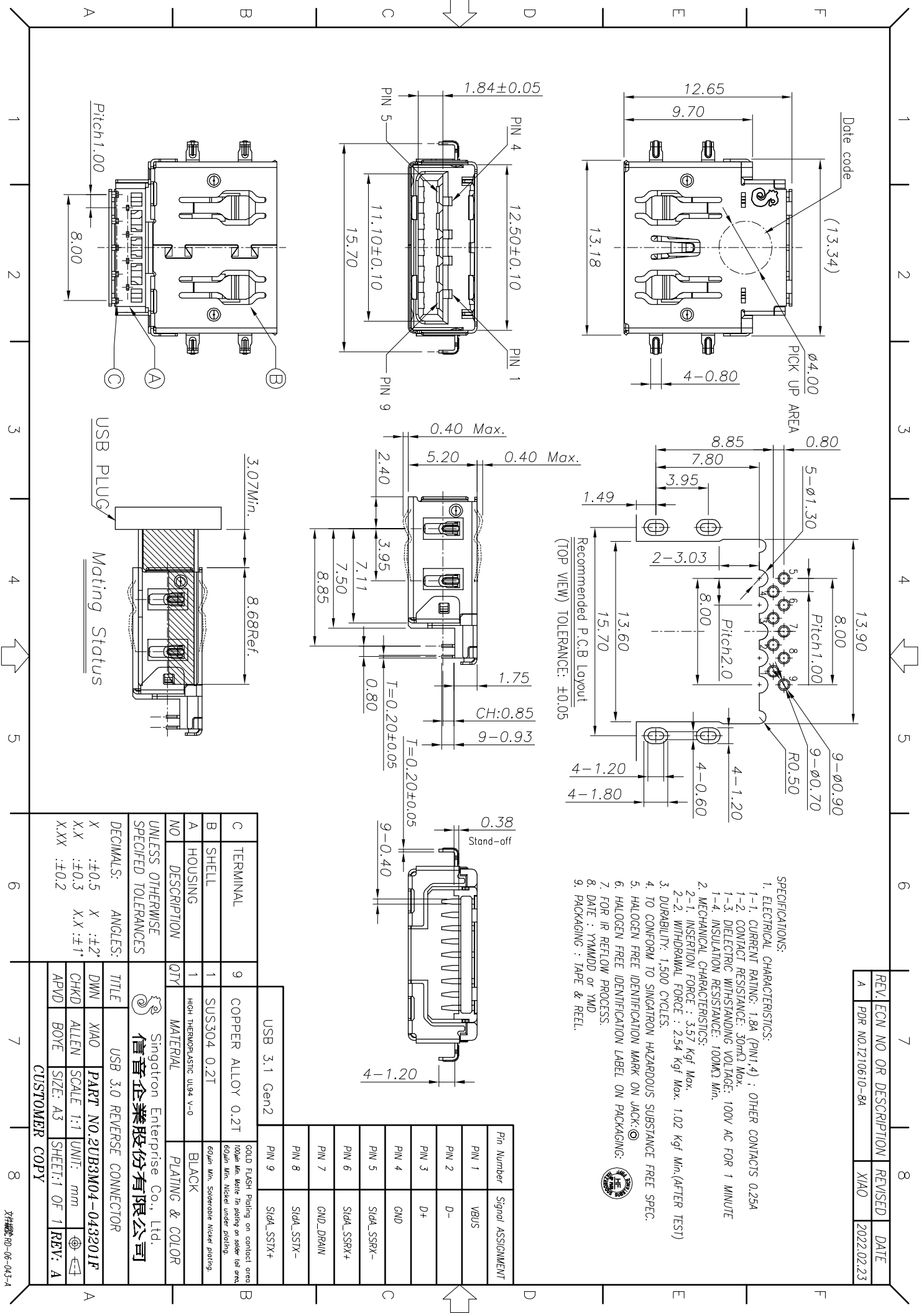


TERMINAL	9	COPPER ALLOY 0.2T	SOLD FLASH Plating on contact area 100um Min. Matte tin plating on solder tail area. 60um Min. Nickel under plating.
SHELL	1	SUS304 0.2T	60um Min. Solderable Nickel plating.
HOUSING	1	HIGH THERMOPLASTIC UL94 V-0	BLACK
DESCRIPTION	QTY	MATERIAL	PLATING & COLOR

Singatron Enterprise Co., Ltd.  
信音企業股份有限公司

UNLESS OTHERWISE SPECIFIED TOLERANCES	TITLE	USB 3.0 REVERSE CONNECTOR
DECIMALS:	DWN	PART NO.2UB3M04-043201P
ANGLES:	X.X	SCALE 1:1
	X.X	UNIT: mm
	X.XX	SIZE: A3
	X.XX	SHEET: 1 OF 1
		REV: A

CUSTOMER COPY



REV	ECN NO OR DESCRIPTION	REVISED	DATE
A	PDR NO.1710610-84	XHAO	2022.02.23