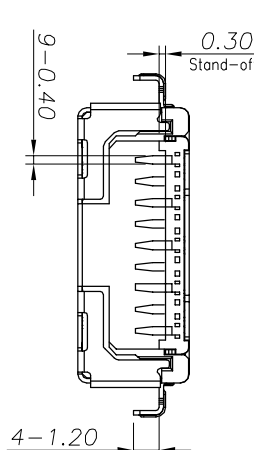
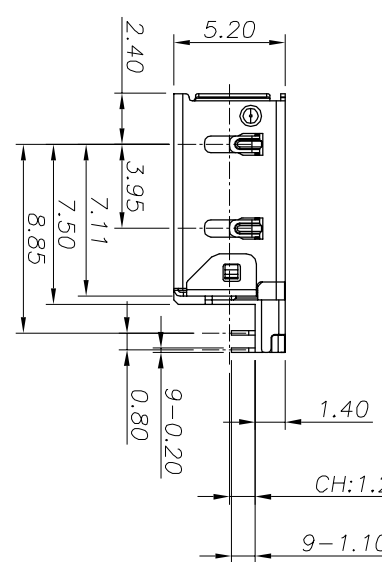
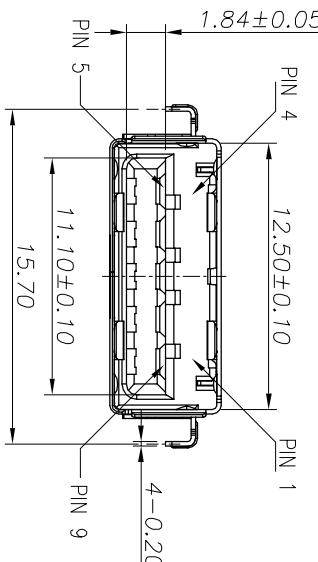


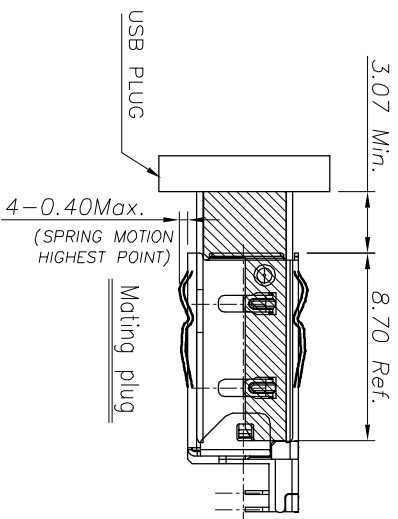
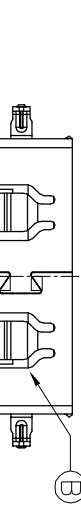
Recommended P.C.B Layout
(TOP VIEW) TOLERANCE=±0.05

SPECIFICATIONS:

- ELECTRICAL CHARACTERISTICS:
 - CURRENT RATING: 1.8A (PIN1,4) ; OTHER CONTACTS 0.25A
 - CONTACT RESISTANCE: 30mΩ Max.
 - DIELECTRIC WITHSTANDING VOLTAGE: 100V AC FOR 1 MINUTE
 - INSULATION RESISTANCE: 100MΩ MIN.
- MECHANICAL CHARACTERISTICS:
 - INSERTION FORCE : 3.57 Kgf Max.
 - WITHDRAWAL FORCE : 1.02Kgf~2.54Kgf Mn.(INITIAL); 1.02Kgf~2.54Kgf Mn.(AFTER TEST)
- DURABILITY: 1,500 CYCLES.
- TO CONFORM TO SINGATRON HAZARDOUS SUBSTANCE FREE SPEC.
- HALOGEN FREE PRODUCT IDENTIFICATION MARK ON JACK:
- HALOGEN FREE PRODUCT IDENTIFICATION LABEL ON PACKAGING:
- FOR IR REFLOW PROCESS.
- DATE : YYMMDD
- PACKAGING : TAPE & REEL.



Pin Number	Signal ASSIGNMENT
PIN 1	VBUS
PIN 2	D-
PIN 3	D+
PIN 4	GND
PIN 5	SIDA_SSRX-
PIN 6	SIDA_SSRX+
PIN 7	GND_DRAIN
PIN 8	SIDA_SSTX-
PIN 9	SIDA_SSTX+



REV	ECN NO OR DESCRIPTION	REVISED	DATE
A	PDR NO.1210616-2A	BING	2021.11.29
B	ECN NO.S202112-007	BING	2022.01.13

NO	DESCRIPTION	QTY	MATERIAL	PLATING & COLOR
C	TERMINAL	9	COPPER ALLOY	
B	SHELL	1	SUS304 1/2H	60uin Min. Nickel
A	HOUSING	1	HIGH THERMOPLASTIC	UL94 V-0 BLACK

UNLESS OTHERWISE SPECIFIED TOLERANCES

DECIMALS:	ANGLES:	TITLE
X : ±0.5	X : ±2°	USB 3.0 REVERSE CONNECTOR FOR GEN2
X.X : ±0.3	X.X : ±1°	DWN BING PART NO.2UB3M04-045201F
X.XX : ±0.2		CHKD Allen SCALE 4:1 UNIT: mm
		APVD Boye SIZE: A3 SHEET:1 OF 1 REV:B

Singatron Enterprise Co., Ltd.
信智企業股份有限公司

CUSTOMER COPY