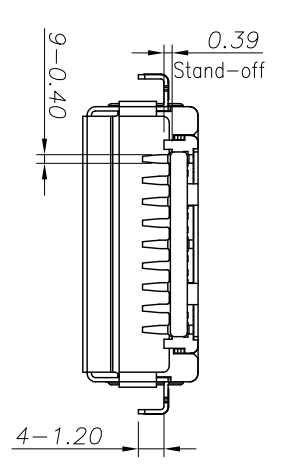
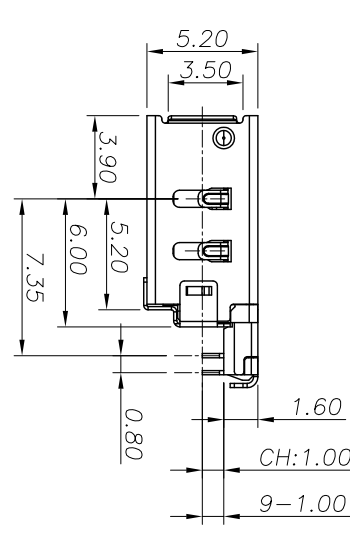
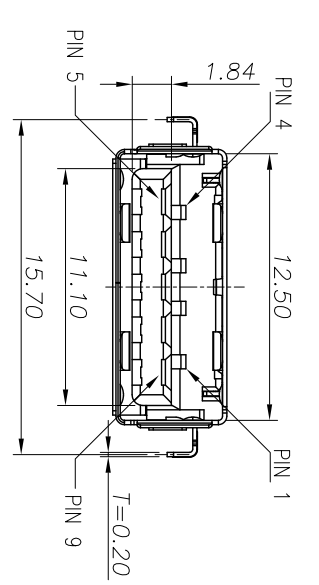


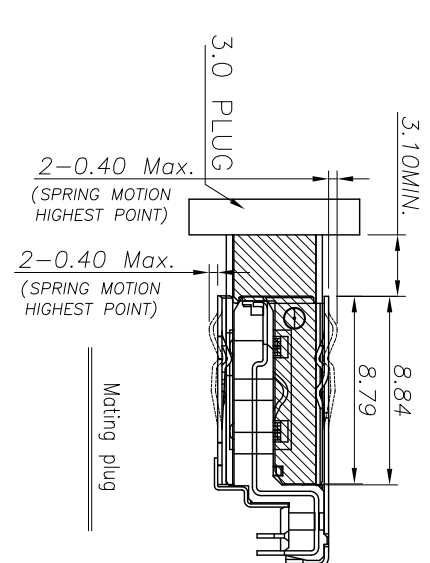
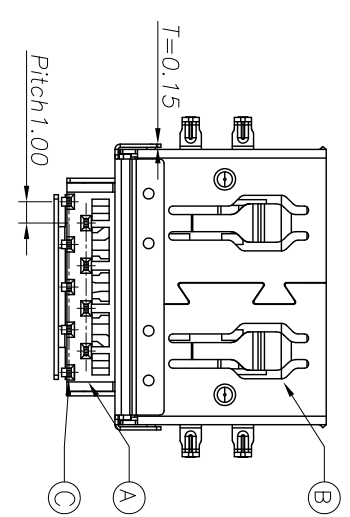
Recommended P.C.B Layout
(TOP VIEW) TOLERANCE=±0.05

SPECIFICATIONS:

- ELECTRICAL CHARACTERISTICS:
 - CURRENT RATING: 1.8A (PIN1,4) ; OTHER CONTACTS 0.25A
 - CONTACT RESISTANCE: 30mΩ MAX.
 - DIELECTRIC WITHSTANDING VOLTAGE: 100V AC FOR 1 MINUTE
 - INSULATION RESISTANCE: 100MΩ MIN
- TO CONFORM TO SINGATRON HAZARDOUS SUBSTANCE FREE SPEC.
- HALOGEN PRODUCT IDENTIFICATION MARK ON JACK: Ⓢ
- FOR WAVE SOLDERING LEAD-FREE PROCESS.
- DATE : YMM/DD
- PACKAGING : TAPE & REEL.
- ⊗ REPRESENT CPK DIMENSIONS.



Pin Number	Signal ASSIGNMENT
PIN 1	VBUS
PIN 2	D-
PIN 3	D+
PIN 4	GND
PIN 5	SDA_SSRX-
PIN 6	SDA_SSRX+
PIN 7	GND_DRAIN
PIN 8	SDA_SSTX-
PIN 9	SDA_SSTX+



NO	DESCRIPTION	QTY	MATERIAL	PLATING & COLOR
D	SHELL COVER	1	SUS430	T=0.15
C	TERMINAL	9	COPPER ALLOY	CLEANING
B	SHELL	1	SUS304	T=0.20
A	HOUSING	1	HIGH THERMOPLASTIC	60um Min. SOLDERABLE NI PLATING
NO	DESCRIPTION	QTY	MATERIAL	PLATING & COLOR

UNLESS OTHERWISE SPECIFIED TOLERANCES

Singatron Enterprise Co., Ltd.
信登企業股份有限公司

DECIMALS:	ANGLES:	TITLE
X :±0.5	X :±2°	USB 3.0 REVERSE CONNECTOR
X.X :±0.3	X.X :±1°	JIANGTAO PART NO. 2UB3M04-047201F
X.XX :±0.2		CHKD ALLEN SCALE 1:1 UNIT: mm
		APVD BOYE SIZE: A3 SHEET: 1 OF 1 REV: C

CUSTOMER COPY

REV.	ECN NO. OR DESCRIPTION	REVISED	DATE
A	PDR NO. T210623-4A	PAN	2022.02.10
B	ECN NO. S202306-009	JIANGTAO	2023.06.28
C	ECN NO. S202310-P02	JIANGTAO	2023.11.03