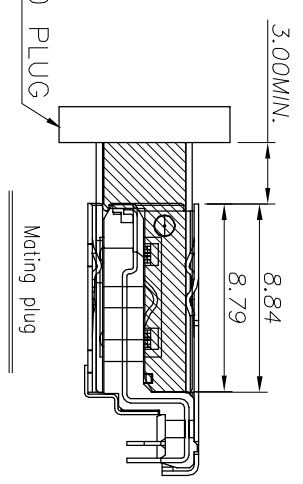
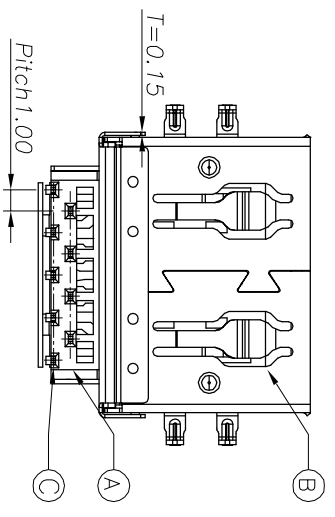
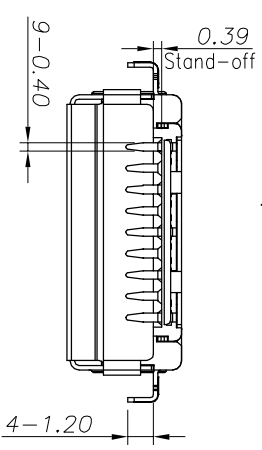
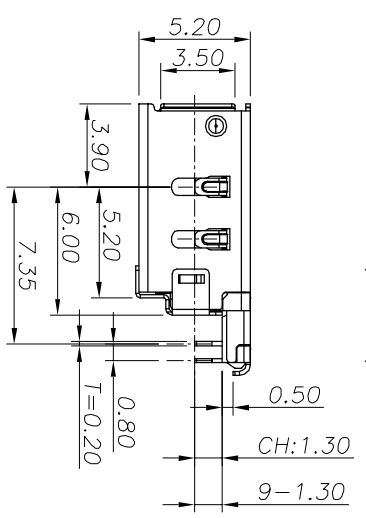
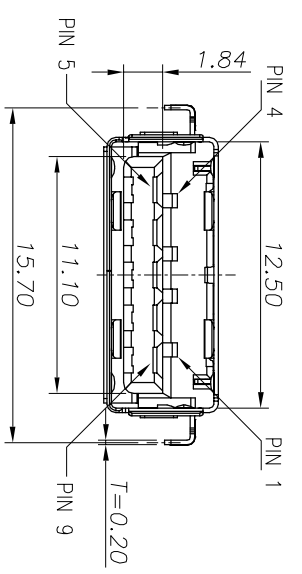


Recommended P.C.B Layout
(TOP VIEW) TOLERANCE=±0.05

SPECIFICATIONS:

- ELECTRICAL CHARACTERISTICS:
 - CURRENT RATING: 1.8A (PIN1-4) ; OTHER CONTACTS 0.25A
 - CONTACT RESISTANCE: 30mΩ MAX.
 - DIELECTRIC WITHSTANDING VOLTAGE: 100V AC FOR 1 MINUTE
 - INSULATION RESISTANCE: 100MΩ MIN
- MECHANICAL CHARACTERISTICS:
 - INSERTION FORCE : 3.57 kgf Max.
 - WITHDRAWAL FORCE : 2.54 kgf Max., 1.02 kgf Min.
- DURABILITY: 1,500 CYCLES.
- TO CONFORM TO SINGATRON HAZARDOUS SUBSTANCE FREE SPEC.
- HALOGEN PRODUCT IDENTIFICATION MARK ON JACK: ©
- HALOGEN PRODUCT IDENTIFICATION LABEL ON PACKAGING: ©
- FOR WAVE SOLDERING LEAD-FREE PROCESS.
- DATE : YMMDD
- PACKAGING : TAPE & REEL.
- ▽ REPRESENT CPK DIMENSIONS.



Pin Number	Signal ASSIGNMENT
PIN 1	VBUS
PIN 2	D-
PIN 3	D+
PIN 4	GND
PIN 5	SD4L_SSRX-
PIN 6	SD4L_SSRX+
PIN 7	GND_DRAIN
PIN 8	SD4L_SSTX-
PIN 9	SD4L_SSTX+

NO	DESCRIPTION	QTY	MATERIAL	PLATING & COLOR
D	SHELL COVER	1	SUS430	T=0.15
C	TERMINAL	9	COPPER ALLOY	
B	SHELL	1	SUS304	T=0.20
A	HOUSING	1	HIGH THERMOPLASTIC	UL94 V-0 BLACK

UNLESS OTHERWISE SPECIFIED TOLERANCES

Singatron Enterprise Co., Ltd.
信亨企業股份有限公司

TITLE: USB 3.0 REVERSE CONNECTOR

PART NO. 2UB3M04-048201F

SCALE: 1:1

UNIT: mm

SIZE: A3

SHEET: 1 OF 1

REV: 4

REV	ECN NO OR DESCRIPTION	REVISED	DATE
A	PDR NO. T2101720-2A	PAN	2022.02.10