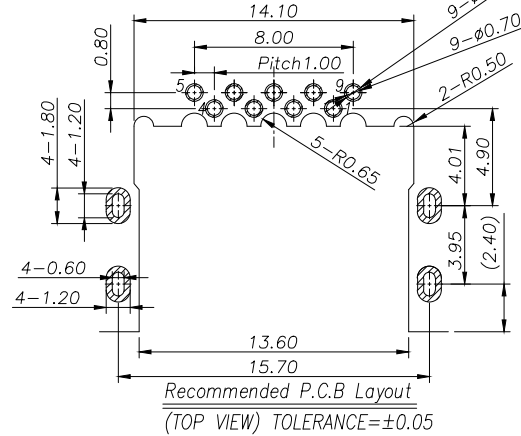
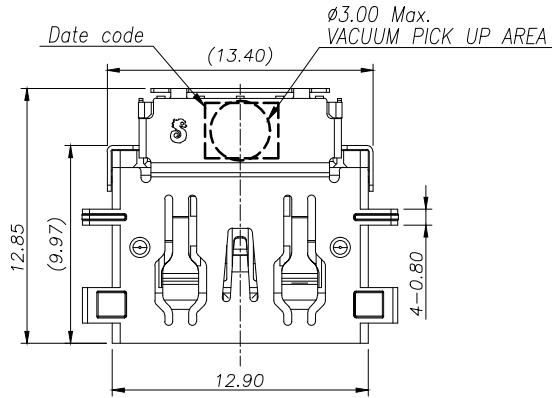


Pin Number	PIN 1	PIN 2	PIN 3	PIN 4	PIN 5	PIN 6	PIN 7	PIN 8	PIN 9
Signal ASSIGNMENT	VBUS	D-	D+	GND	StdA_SSRX-	StdA_SSRX+	GND_DRAIN	StdA_SSTX-	StdA_SSTX+

REV.	ECN NO OR DESCRIPTION	REVISED	DATE
A	PDR NO. T211228-3A	BING	2022.10.18



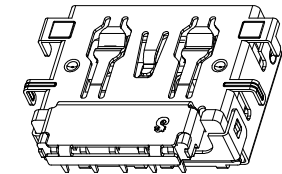
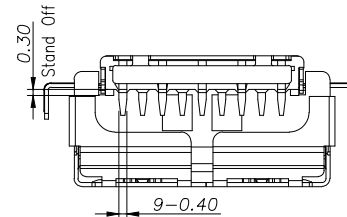
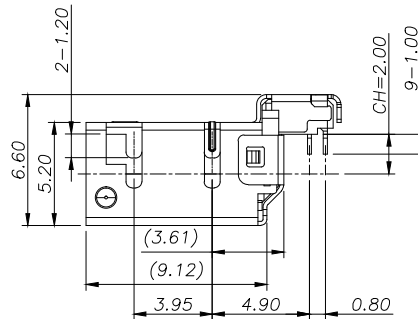
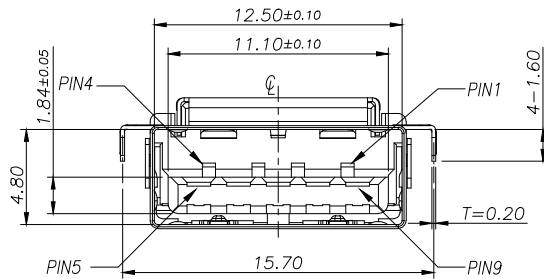
SPECIFICATIONS:

1. ELECTRICAL CHARACTERISTICS:

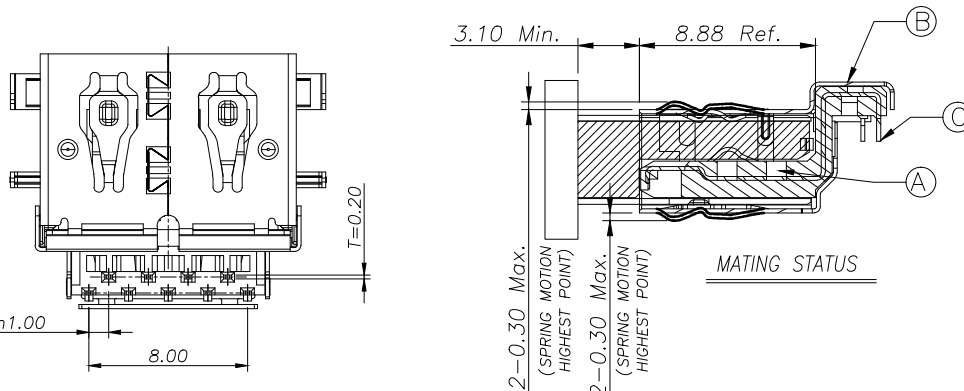
- 1-1. CURRENT RATING: 2.0A (PIN1,4) ; OTHER CONTACTS 0.25A
- 1-2. CONTACT RESISTANCE: 30mΩ Max.
- 1-3. DIELECTRIC WITHSTANDING VOLTAGE: 100V AC FOR 1 MINUTE
- 1-4. INSULATION RESISTANCE: 100MΩ Min.

2. MECHANICAL CHARACTERISTICS:

- 2-1. INSERTION FORCE: 1.02~2.25Kgf INITIAL ; 0.816~2.25Kgf AFTER TEST;
- 2-2. WITHDRAWAL FORCE: 1.02~2.25Kgf INITIAL ; 0.816~2.25Kgf AFTER TEST;
- 3. DURABILITY: 5,000 CYCLES.
- 4. TO CONFORM TO SINGATRON HAZARDOUS SUBSTANCE FREE SPEC.
- 5. HALOGEN FREE IDENTIFICATION MARK ON JACK: Ⓢ
- 6. HALOGEN FREE IDENTIFICATION LABEL ON PACKAGING: Ⓢ
- 7. FOR REFLOW SOLERING LEAD-FREE PROCESS.
- 8. DATE : YYMMDD
- 9. PACKAGING : TAPE & REEL.



3D VIEW



C	TERMINAL	9	COPPER ALLOY T=0.20mm	0.015min Au PLATING ON CONTACT AREA 0.015min Min. Matte Tin PLATING 0.015min SOLDERING TAIL AREA AND 50μin Min. NICKEL UNDER PLATING.
B	SHELL	1	SUS304 T=0.20mm	60μin NICKEL Min.
A	HOUSING	1	PA10T UL94V-0	BLACK
NO	DESCRIPTION	QTY	MATERIAL	PLATING & COLOR

UNLESS OTHERWISE SPECIFIED TOLERANCES		Singatron Enterprise Co., Ltd. 		
DECIMALS:	ANGLES:	TITLE	USB 3.0 REVERSE CONNECTOR FOR GEN2	
X :±0.5	X :±2°	DWN	BING	PART NO.2UB3M04-049201F
X.X :±0.3	X.X :±1°	CHKD	Allen	SCALE 4:1 UNIT: mm
X.XX :±0.2		APVD	Boye	SIZE: A3 SHEET:1 OF 1 REV:A
CUSTOMER COPY				