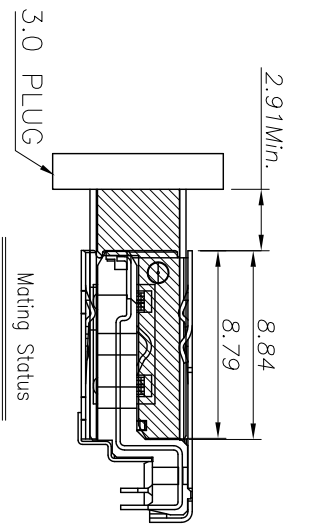
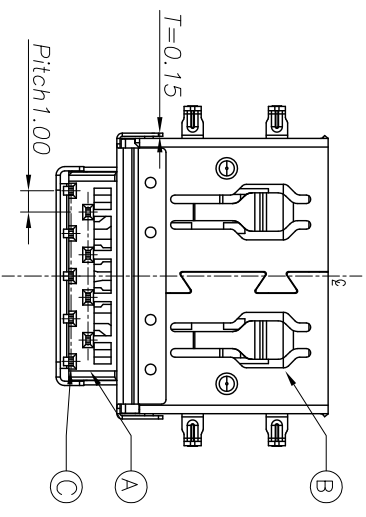
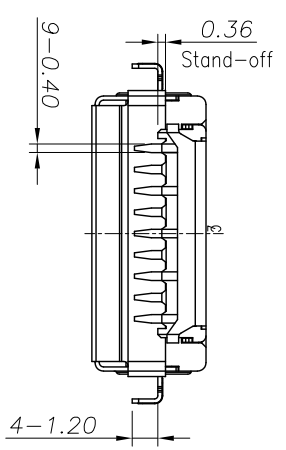
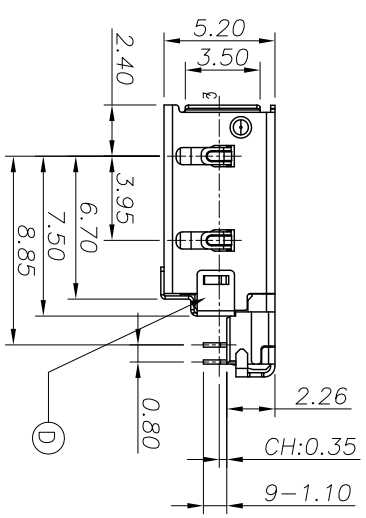
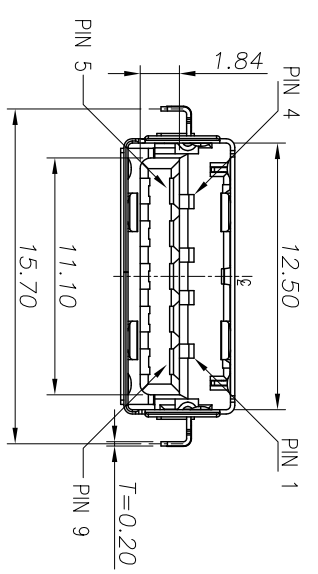
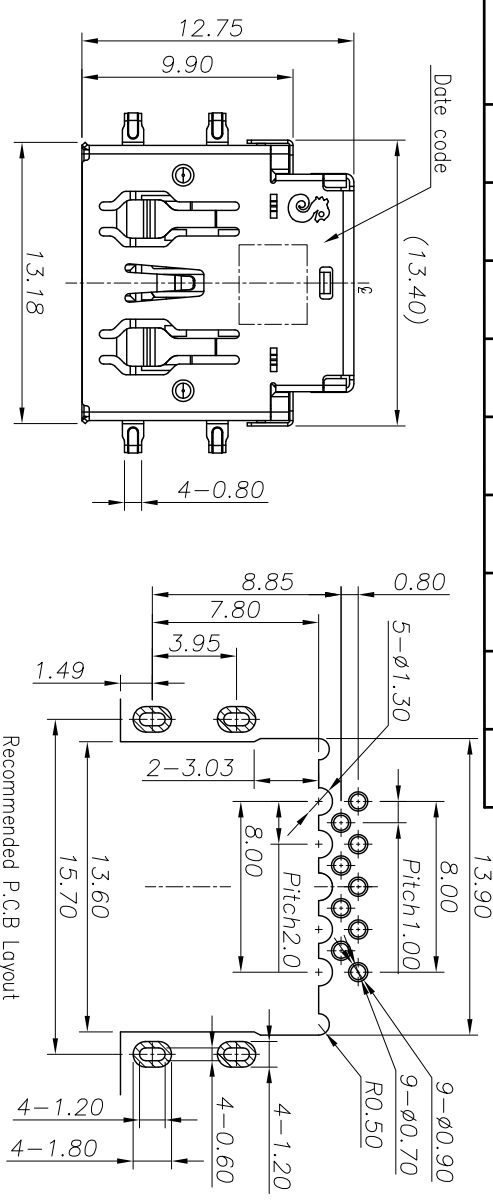


Pin Number	PIN 1	PIN 2	PIN 3	PIN 4	PIN 5	PIN 6	PIN 7	PIN 8	PIN 9
Signal ASSIGNMENT	VBUS	D-	D+	GND	SIG4_SSPX	SIG4_SSPX4	GND_DRAIN	SIG4_SSTX	SIG4_SSTX4



SPECIFICATIONS:

- ELECTRICAL CHARACTERISTICS:**
 - CURRENT RATING: 1.8A (PIN1,4) ; OTHER CONTACTS 0.25A
 - CONTACT RESISTANCE: 30mΩ Max.
 - DIELECTRIC WITHSTANDING VOLTAGE: 100V AC FOR 1 MINUTE
 - INSULATION RESISTANCE: 100MΩ Min.
- MECHANICAL CHARACTERISTICS:**
 - INSERTION FORCE: 3.5 kgf Max.
 - WITHDRAWAL FORCE: 1.0~2.5kgf ; AFTER TEST: 0.8~2.5kgf
 - DURABILITY: 5,000 CYCLES.
 - TO CONFORM TO SINGATRON HAZARDOUS SUBSTANCE FREE SPEC.
 - HALOGEN FREE IDENTIFICATION MARK ON JACK:
 - HALOGEN FREE IDENTIFICATION LABEL ON PACKAGING:
 - FOR REFLOW SOLDERING LEAD-FREE PROCESS.
 - DATE : Y1M0DD
 - PACKAGING : TAPE & REEL.

REV.	ECN NO.	OR DESCRIPTION	REVISED	DATE
A	PDR NO. T220111-1A		LIRUI	2022.02.21

D	SHELL COVER	1	STAINLESS STEEL, T=0.15mm	Cleaning
C	TERMINAL	9	PHOSPHOR BRONZE, T=0.20mm	10µm Min. Gold plating on contact area 40µ-100µm Matte Tin plating on solder tail area, and 60µm Nickel under plating.
B	SHELL	1	STAINLESS STEEL, T=0.20mm	60µm Min. Solderable Nickel plating
A	HOUSING	1	HIGH TEMPERATURE PLASTIC UL 94V-0	BLACK
NO	DESCRIPTION	QTY	MATERIAL	PLATING & COLOR
UNLESS OTHERWISE SPECIFIED TOLERANCES				
Singatron Enterprise Co., Ltd. 				
DECIMALS: ANGLES: TITLE USB 3.0 REVERSE CONNECTOR X :±0.5 X :±2° DWV LIRUI PART NO. 2UB3M04-052201P X.X :±0.3 X.X :±1° CHKD Boye SCALE 1:1 UNIT: mm X.XX :±0.2 APVD Liao SIZE: A3 SHEET: 1 OF 1 REV:A				
CUSTOMER COPY				