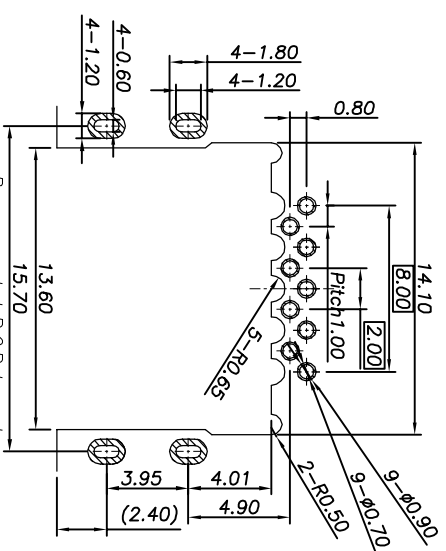
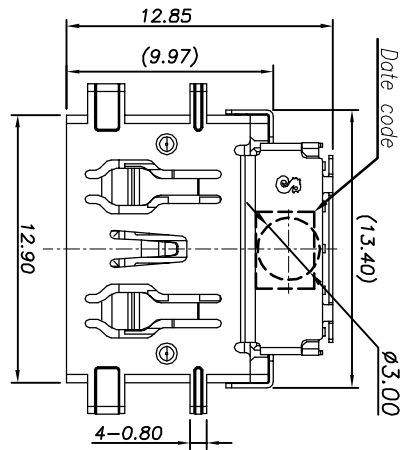
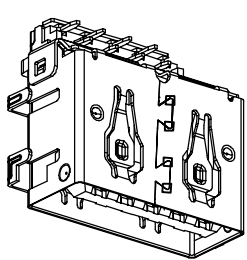
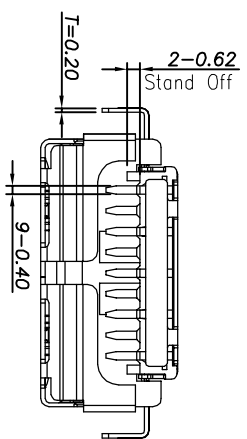
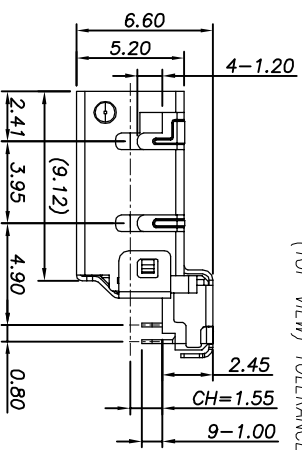
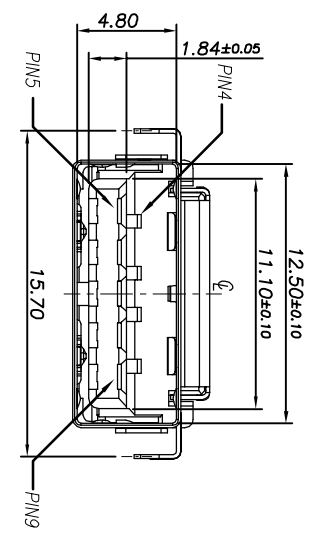


Pin Number	1	2	3	4	5	6	7	8	9
Signal ASSIGNMENT	VBUS	D-	D+	GND	Stda_SSRX-	Stda_SSRX+	GND_DRAIN	Stda_SSTX-	Stda_SSTX+

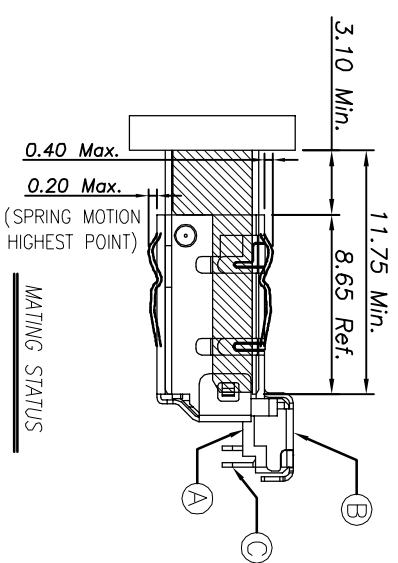
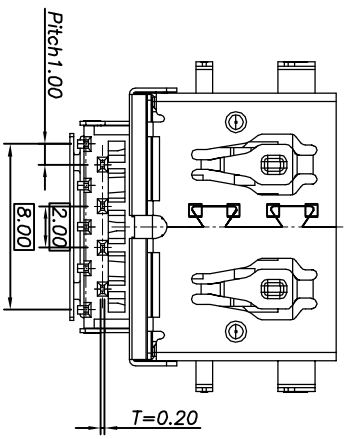
REV	ECN NO	OR DESCRIPTION	REVISED	DATE
A	PDR NO:	T220525-1A	LIRU	2022.07.13
B	ECN NO:	S202211-C15	JIANGTAO	2023.01.03



Recommended P.C.B Layout  
(TOP VIEW) TOLERANCE=±0.05



3D VIEW



SPECIFICATIONS:

- ELECTRICAL CHARACTERISTICS:
  - CURRENT RATING: 2.0A (PIN1,4) ; OTHER CONTACTS 0.25A
  - CONTACT RESISTANCE: 30mΩ Max.
  - DIELECTRIC WITHSTANDING VOLTAGE: 100V AC FOR 1 MINUTE
  - INSULATION RESISTANCE: 100MΩ Min.
- MECHANICAL CHARACTERISTICS:
  - INSERTION: 8N(0.8kgf)~25N(2.5kgf)
  - WITHDRAWAL FORCE: 10N(1.02kgf)~25N(2.5kgf)
  - DURABILITY: 5,000 CYCLES.
  - TO CONFORM TO SINGATRON HAZARDOUS SUBSTANCE FREE SPEC.
  - HALOGEN FREE IDENTIFICATION MARK ON JACK: ©
  - HALOGEN FREE IDENTIFICATION LABEL ON PACKAGING: ©
  - FOR REFLOW SOLDERING LEAD-FREE PROCESS.
  - DATE : YMMDD
  - PACKAGING : TAPE & REEL.

C	TERMINAL	9	COPPER ALLOY	C/P PLATING ON CONTACT AREA: SOLDER PLATING ON SOLDERING TAIL AREA; AND GOLD NICKEL UNDER PLATING.
B	SHELL	1	SUS304 T=0.20mm	60μin NICKEL Min.
A	HOUSING	1	PAIOT UL94V-0	BLACK
NO	DESCRIPTION	QTY	MATERIAL	PLATING & COLOR

UNLESS OTHERWISE SPECIFIED TOLERANCES

Singatron Enterprise Co., Ltd.  
信音企業股份有限公司

TITLE: USB 3.0 REVERSE CONNECTOR FOR GEN2

DECIMALS: ANGLES: X :±0.5 X :±2°

CHKD: DMN: JIANGTAO PART NO: 2UB3M04-080201P

APVD: Boye: SCALE 4:1 UNIT: mm

SIZE: A3 SHEET: 1 OF 1 REV: B

CUSTOMER COPY