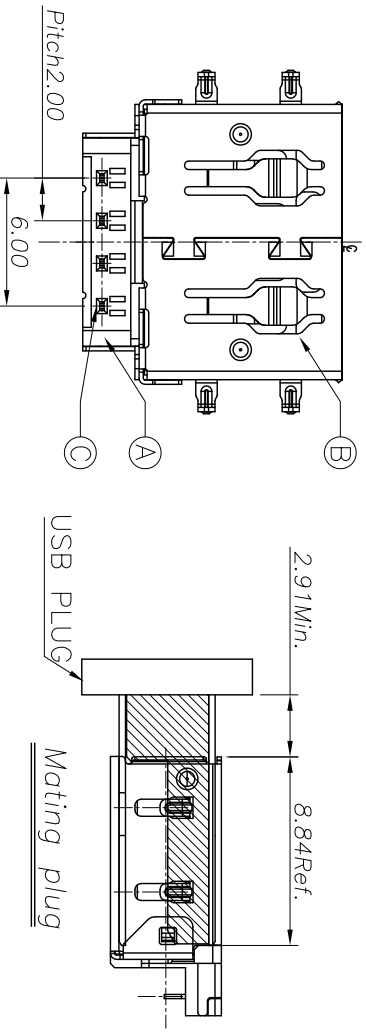
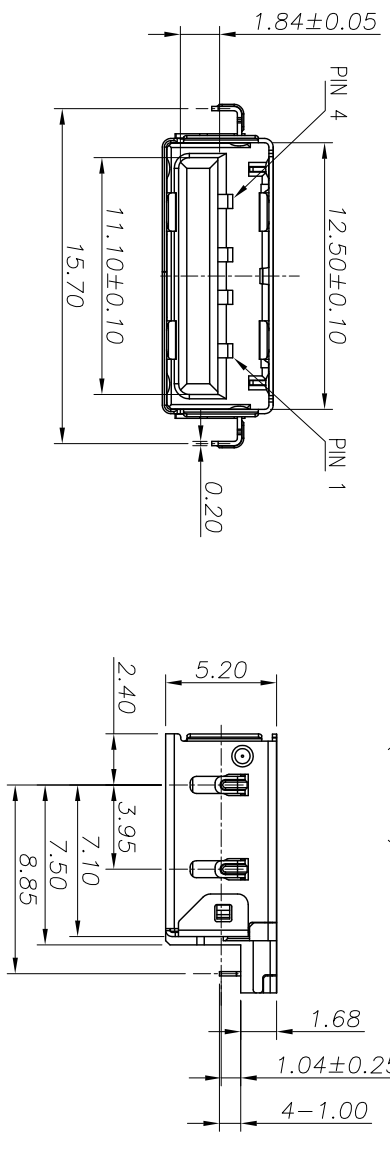
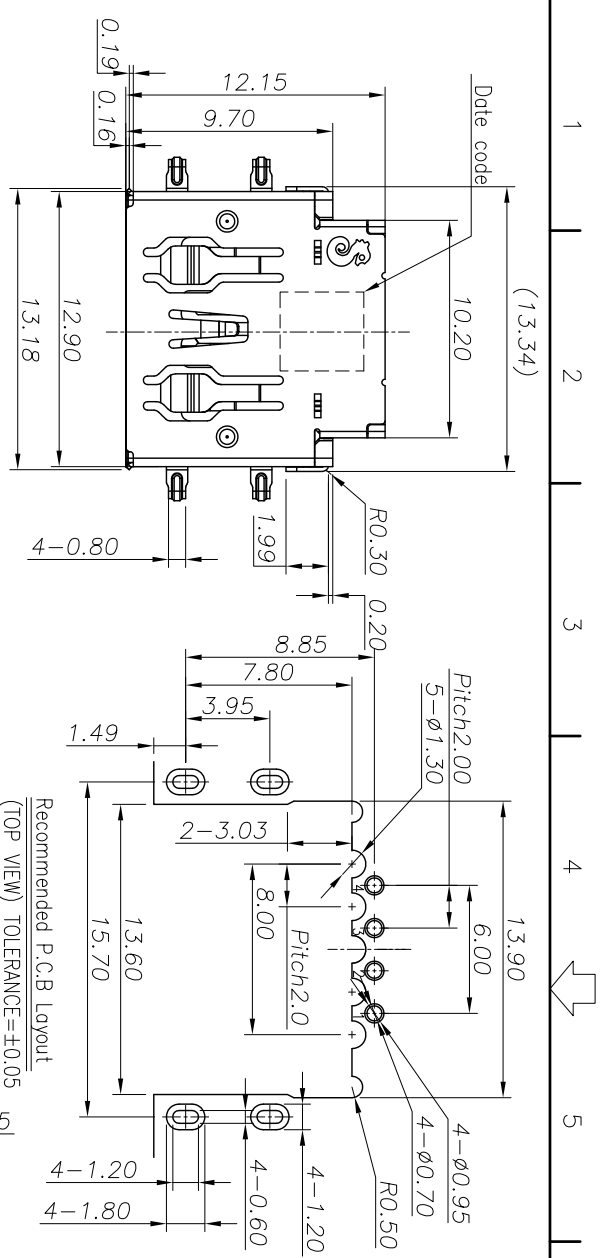
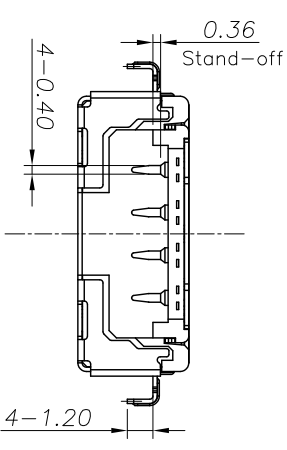


REV.	ECN NO.	OR DESCRIPTION	REVISED	DATE
A	PDR NO. T220527-3A		HAOLIAN	2022.11.15



- SPECIFICATIONS:**
- ELECTRICAL CHARACTERISTICS:
 - 1-1. CURRENT RATING: 1.84 (PIN1,4) ; OTHER CONTACTS 0.25A
 - 1-2. CONTACT RESISTANCE: 30mΩ Max.
 - 1-3. DIELECTRIC WITHSTANDING VOLTAGE: 100V AC FOR 1 MINUTE
 - 1-4. INSULATION RESISTANCE: 100MΩ Min.
 - MECHANICAL CHARACTERISTICS:
 - 2-1. INSERTION FORCE : 2.5 Kgf Max.
 - 2-2. WITHDRAWAL FORCE : 1.0 Kgf Min. (INITIAL), 0.8 Kgf Min. (AFTER TEST)
 - DURABILITY: 5,000 CYCLES.
 - TO CONFORM TO SINGATRON HAZARDOUS SUBSTANCE FREE SPEC.
 - HALOGEN FREE IDENTIFICATION MARK ON JACK:
 - FOR IR REFLOW PROCESS.
 - DATE : YMMDD or YMD.
 - PACKAGING : TAPE & REEL.



Pin Number	Signal ASSIGNMENT
PIN 1	VBUS
PIN 2	D-
PIN 3	D+
PIN 4	GND

NO	DESCRIPTION	QTY	MATERIAL	PLATING & COLOR
C	TERMINAL	4	CS210-EH T0.20mm	6/7 Au on contact area, 40-60um Ni/Wtfe Tin Plating on solder tab area and 60um Min. Nickel under Plating.
B	SHELL	1	SUS304 T0.20mm	80 um Min. solderable Nickel plating.
A	HOUSING	1	PART U194 V-0	BLACK

UNLESS OTHERWISE SPECIFIED TOLERANCES

DECIMALS: ANGLES: TITLE

X : ±0.5 X : ±2° USB 2.0 REVERSE CONNECTOR

X.X : ±0.3 X.X : ±1° HAOLIAN PART NO. ZUB3M04-061101F

X.XX : ±0.2 X.XX : ±1° CHKD ALEN SCALE 1:1 UNIT: mm

APVD BOYE SIZE: A3 SHEET: 1 OF 1 REV: A

CUSTOMER COPY

Singatron Enterprise Co., Ltd.
信營企業股份有限公司