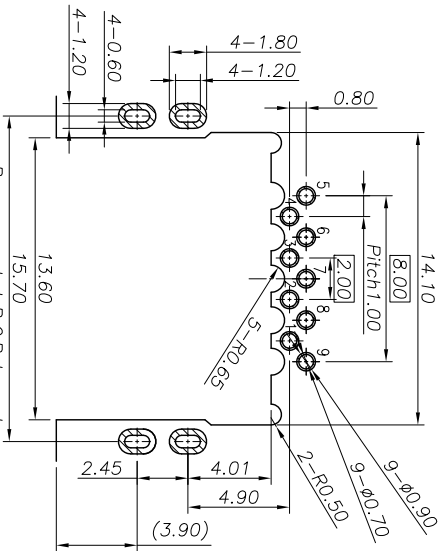
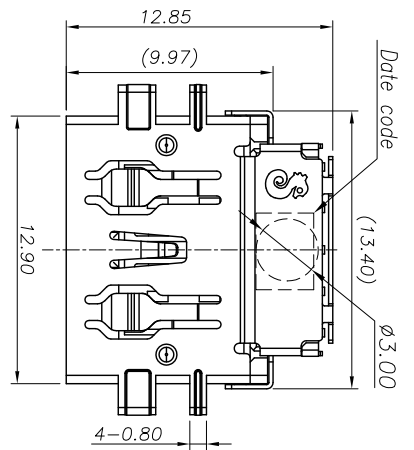
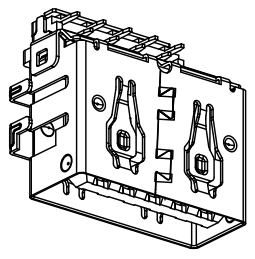
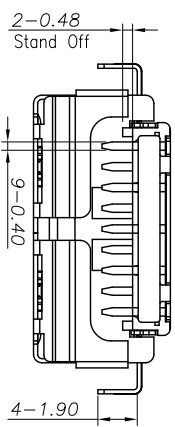
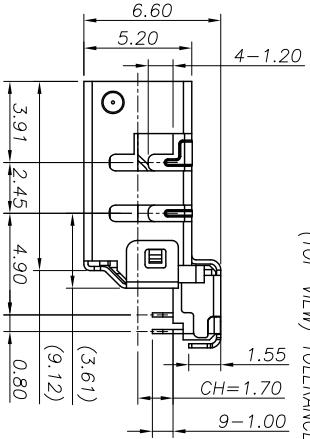
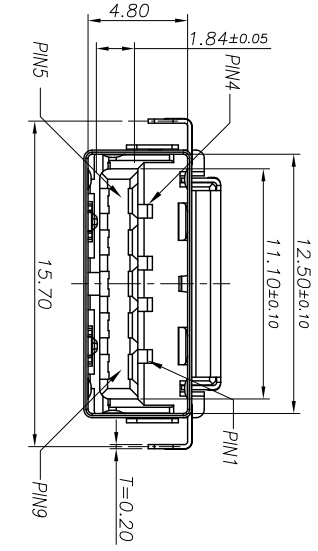


Pin Number	1	2	3	4	5	6	7	8	9
Signal ASSIGNMENT	VBUS	D-	D+	GND	Stda_SSRX-	Stda_SSRX+	GND_DRAIN	Stda_SSTX-	Stda_SSTX+

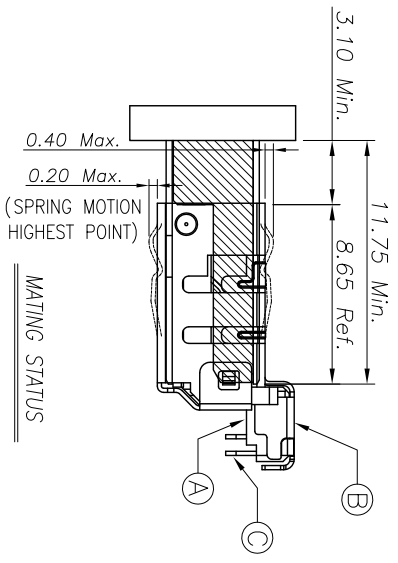
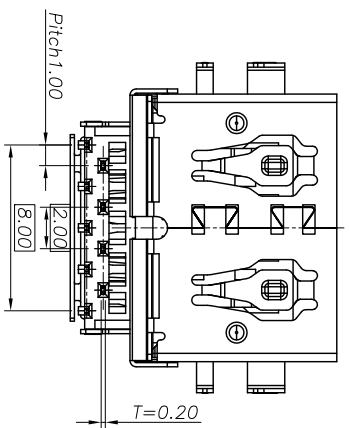
REV.	ECN NO.	OR DESCRIPTION	REVISED	DATE
A	PDR NO.	T220615-1A	LIRUI	2022.09.15



Recommended P.C.B Layout  
(TOP VIEW) TOLERANCE=±0.05



3D VIEW



C	TERMINAL	9	COPPER ALLOY	5/6 PLATING ON CONTACT AREA ON THE CONTACT PINS ON SOLDERING TAIL AREA AND 80um NICKEL UNDER PLATING.
B	SHELL	1	SUS304 T=0.20mm	60um NICKEL Min.
A	HOUSING	1	PA9T UJ94V-0	BLUE
NO	DESCRIPTION	QTY	MATERIAL	PLATING & COLOR

UNLESS OTHERWISE SPECIFIED TOLERANCES

Singatron Enterprise Co., Ltd.  
信譽企業股份有限公司

TITLE: USB 3.0 REVERSE CONNECTOR  
DWG: LIRUI PART NO. 2UB3M04-065201F  
CHKD: Allen SCALE: 4:1 UNIT: mm  
APVD: Boye SIZE: A3 SHEET: 1 OF 1 REV: A

CUSTOMER COPY

1 2 3 4 5 6 7 8 A B C D E F