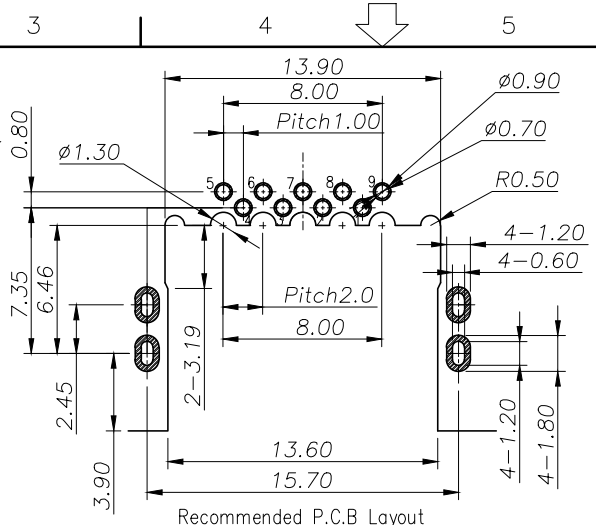
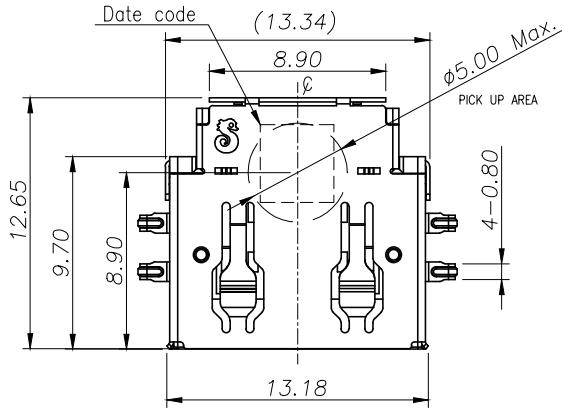
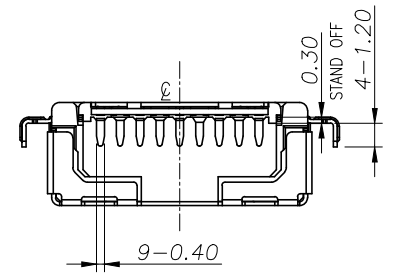
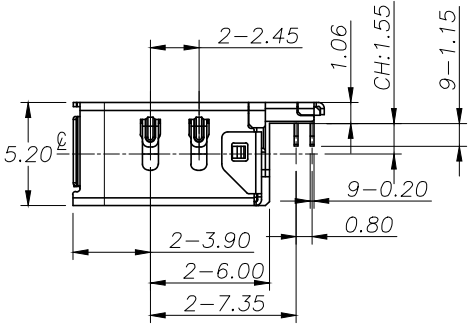
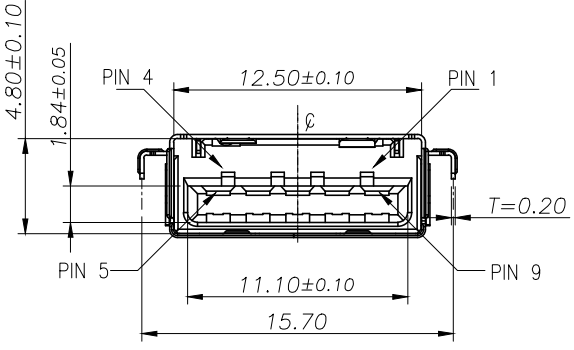


REV.	ECN NO OR DESCRIPTION	REVISED	DATE
A	PDR NO. T220816-5A	TAO	2023.03.08

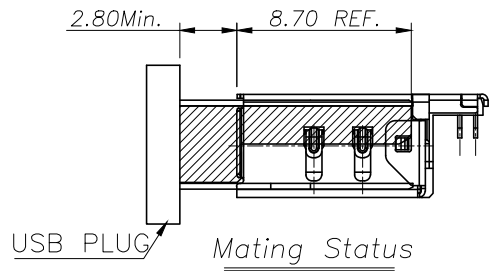
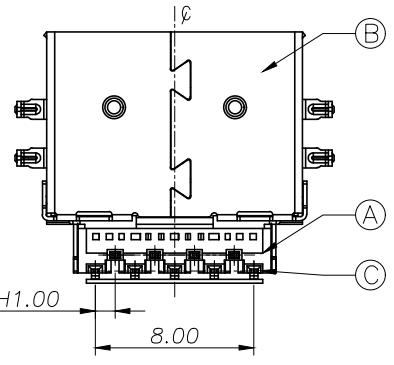


Recommended P.C.B Layout
(TOP VIEW) TOLERANCE=±0.05

- SPECIFICATIONS:
- ELECTRICAL CHARACTERISTICS:
 - CURRENT RATING: 2.0A (PIN1,4) ; OTHER CONTACTS 0.25A
 - CONTACT RESISTANCE: 30mΩ Max.
 - DIELECTRIC WITHSTANDING VOLTAGE:100V AC FOR 1 MINUTE
 - INSULATION RESISTANCE: 100MΩ Min.
 - MECHANICAL CHARACTERISTICS:
 - INSERTION FORCE : 3.57Kgf Max. INITIAL,0.80~2.50Kgf (AFTER TEST)
 - WITHDRAWAL FORCE : 1.02Kgf~2.50Kgf
 - DURABILITY: 5,000 CYCLES.
 - TO CONFORM TO SINGATRON HAZARDOUS SUBSTANCE FREE SPEC.
 - HALOGEN FREE IDENTIFICATION MARK ON JACK:Ⓢ
 - HALOGEN FREE IDENTIFICATION LABEL ON PACKAGING: Ⓢ
 - FOR REFLOW SOLDERING LEAD-FREE PROCESS
 - DATE : YYMMDD or YMD
 - PACKAGING : TAPE & REEL.



Pin Number	Signal ASSIGNMENT
PIN 1	VBUS
PIN 2	D-
PIN 3	D+
PIN 4	GND
PIN 5	StdA_SSRX-
PIN 6	StdA_SSRX+
PIN 7	GND_DRAIN
PIN 8	StdA_SSTX-
PIN 9	StdA_SSTX+



C	TERMINAL	9	C5210-EH T=0.20mm	GOLD FLASH GOLD PLATING ON CONTACT AREA 40~80µin Matt. TIN PLATING ON SOLDER TAIL AREA; AND 60µin NICKEL UNDER PLATING;
B	SHELL	1	SUS304 1/2H T=0.20mm	60µin Min.SOLDERABLE NICKEL PLATING.
A	HOUSING	1	PA9T+45%GF UL94V-0	BLACK
NO	DESCRIPTION	QTY	MATERIAL	PLATING & COLOR
UNLESS OTHERWISE SPECIFIED TOLERANCES		Singatron Enterprise Co., Ltd. 		
DECIMALS:		ANGLES:	TITLE	
X	:±0.5	X	:±2°	DWN
X.X	:±0.3	X.X	:±1°	CHKD
X.XX	:±0.2			APVD
		TITLE	USB 3.0 REVERSE CONNECTOR	
		DWN	TAO	PART NO.2UB3M04-066201F
		CHKD	Allen	SCALE 4:1 UNIT: mm
		APVD	Boye	SIZE: A3 SHEET:1 OF 1 REV:A
CUSTOMER COPY				