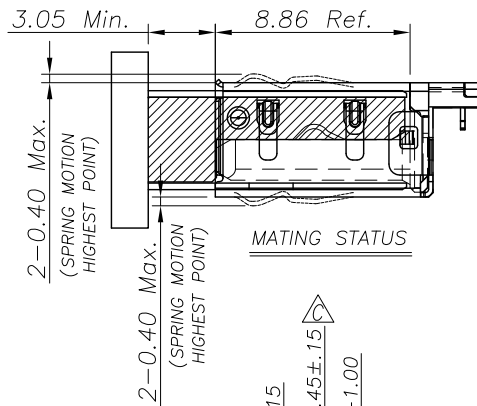
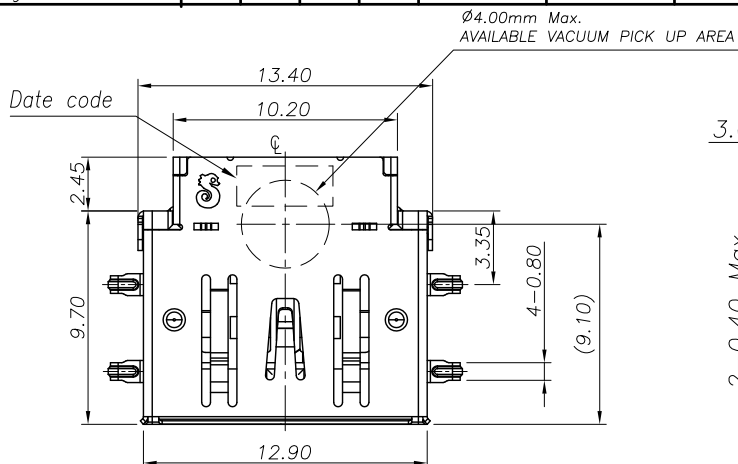


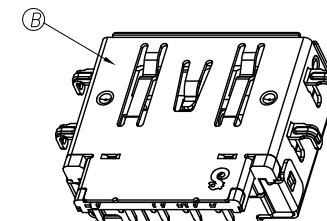
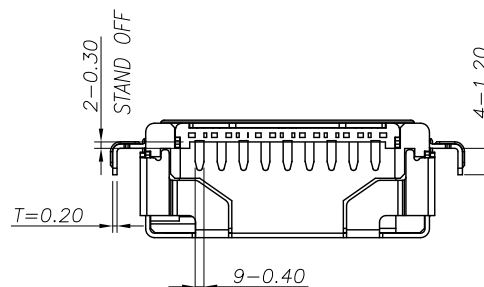
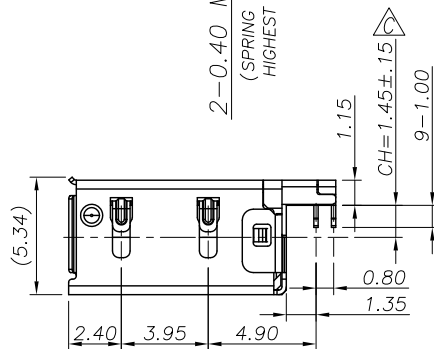
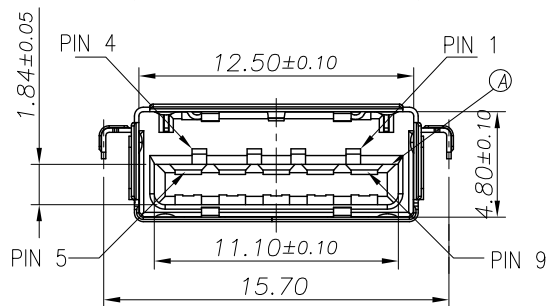
Pin Number	PIN 1	PIN 2	PIN 3	PIN 4	PIN 5	PIN 6	PIN 7	PIN 8	PIN 9
Signal ASSIGNMENT	VBUS	D-	D+	GND	StdA_SSRX-	StdA_SSRX+	GND_DRAIN	StdA_SSTX-	StdA_SSTX+

REV.	ECN NO OR DESCRIPTION	REVISED	DATE
A	PDR NO.T220613-2A/2B	BING	2022.08.22
B	ECN NO.S202209-R03	BING	2022.11.11
C	ECN NO.S202306-C13	JIANGTAO	2023.08.08

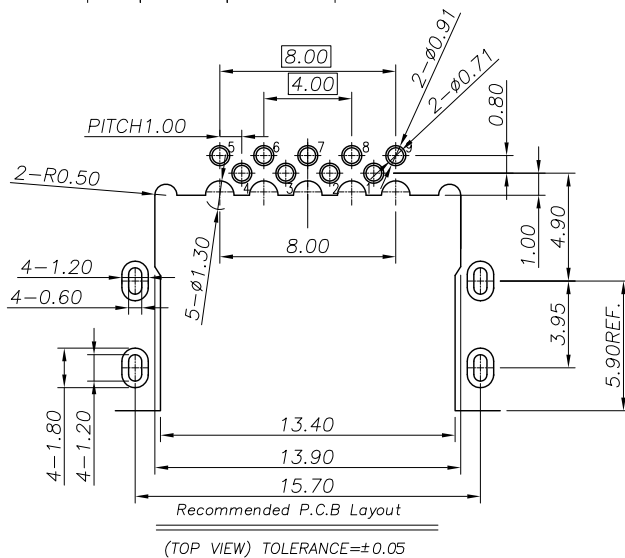
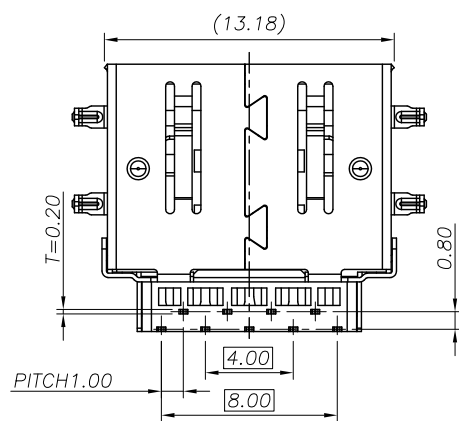


SPECIFICATIONS:

- ELECTRICAL CHARACTERISTICS:
  - CURRENT RATING: 1.8A (PIN1,4) ; OTHER CONTACTS 0.25A
  - CONTACT RESISTANCE: 30mΩ Max.
  - DIELECTRIC WITHSTANDING VOLTAGE: 100V AC FOR 1 MINUTE
  - INSULATION RESISTANCE: 100MΩ Min.
- MECHANICAL CHARACTERISTICS:
  - INSERTION FORCE : 1.02~2.25Kgf (INITIAL),0.816~2.25Kgf (AFTER TEST)
  - WITHDRAWAL FORCE : 1.02~2.25Kgf (INITIAL),0.816~2.25Kgf (AFTER TEST)
- DURABILITY: 5,000 CYCLES.
- TO CONFORM TO SINGATRON HAZARDOUS SUBSTANCE FREE SPEC.
- HALOGEN FREE IDENTIFICATION MARK ON JACK: Ⓢ
- HALOGEN FREE IDENTIFICATION LABEL ON PACKAGING: Ⓢ
- FOR REFLOW SOLERING LEAD-FREE PROCESS.
- DATE : YYMMDD or YMD.
- PACKAGING : TAPE & REEL.



2UB3M04-06X201F	SEE TABLE
2 1uin min. Au	60uin Min. Matte. Sn PLATING ON SOLDERING AREA.
3 10uin min. Au	ALL OVER 50uin min. NICKEL PLATING.



C	9PIN TERMINAL	9	COPPER ALLOY T=0.2mm	SEE TABLE
B	SHELL	1	STAINLESS STEEL T=0.20mm	60uin NICKEL Min.
A	HOUSING	1	PA9T UL94 V-0	BLACK
NO	DESCRIPTION	QTY	MATERIAL	PLATING & COLOR
UNLESS OTHERWISE SPECIFIED TOLERANCES		Singatron Enterprise Co., Ltd. 信音企業股份有限公司		
DECIMALS:		TITLE		
X	±0.5	X	±2°	DWN
X.X	±0.3	X.X	±1°	JIANGTAO
X.XX	±0.2	PART NO.2UB3M04-06X201F		
		CHKD	ALLEN	SCALE 3:1
		APVD	Boye	UNIT: mm
		SIZE: A3		SHEET:1 OF 1
		REV:C		
CUSTOMER COPY				