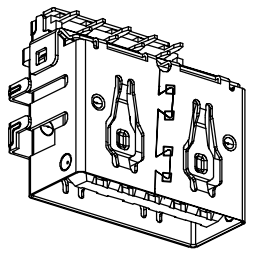
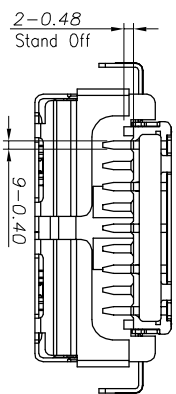
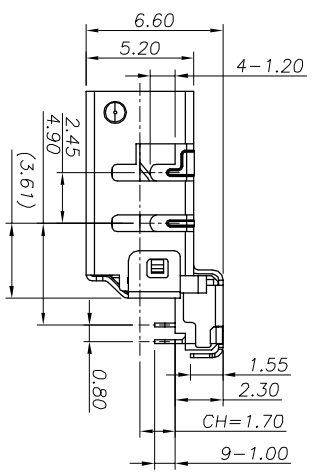
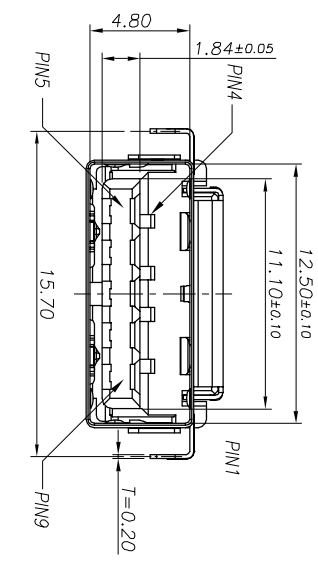
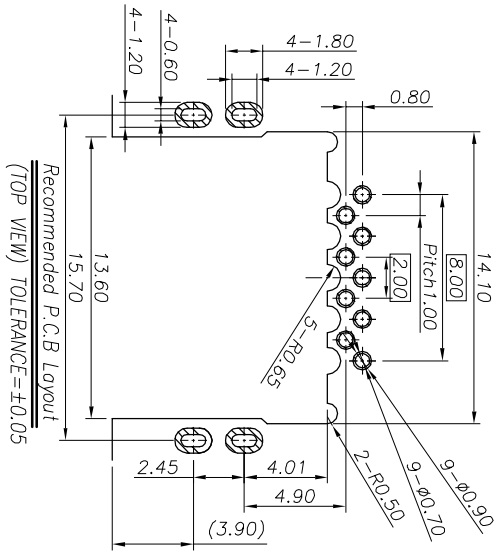
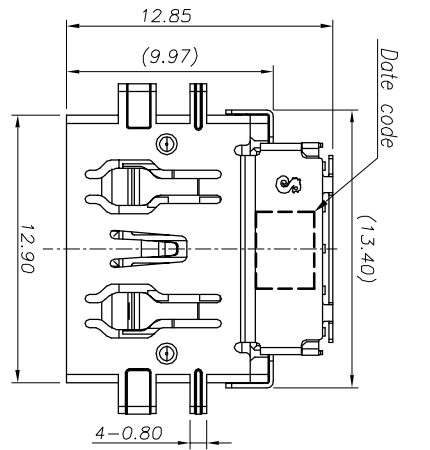
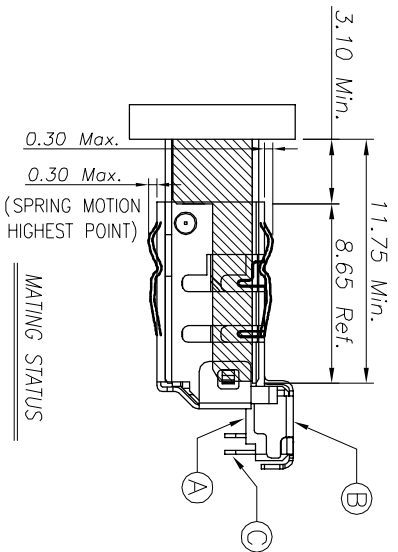
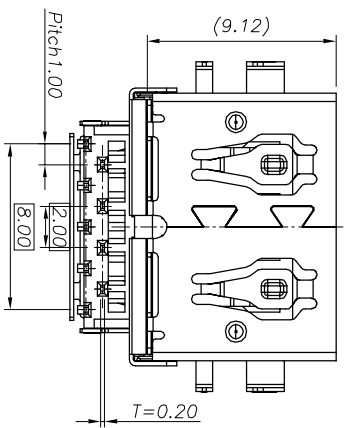


Pin Number	1	2	3	4	5	6	7	8	9
Signal ASSIGNMENT	VBUS	D-	D+	GND	Stda_SSRX-	Stda_SSRX+	GND_DRAIN	Stda_SSTX-	Stda_SSTX+

REV	ECN NO	OR DESCRIPTION	REVISED	DATE
A		PDR NO. T230220-2A	PAN	2023.10.08



3D VIEW



SPECIFICATIONS:

- ELECTRICAL CHARACTERISTICS:
 - CURRENT RATING: 2.5A (PIN1,4) ; OTHER CONTACTS 0.25A
 - CONTACT RESISTANCE: 30mΩ Max.
 - DIELECTRIC WITHSTANDING VOLTAGE: 100V AC FOR 1 MINUTE
 - INSULATION RESISTANCE: 100MΩ Min.
- MECHANICAL CHARACTERISTICS:
 - INSERTION FORCE: 1.02~2.25 kgf INITIAL; AFTER TEST: 0.816~2.25kgf
 - WITHDRAWAL FORCE: 1.02~2.25kgf INITIAL AFTER TEST: 0.816~2.25kgf
 - DURABILITY: 5,000 CYCLES.
 - TO CONFORM TO SINGATRON HAZARDOUS SUBSTANCE FREE SPEC.
 - HALOGEN FREE IDENTIFICATION MARK ON JACK: ©
 - HALOGEN FREE IDENTIFICATION LABEL ON PACKAGING:
 - FOR REFLOW SOLDERING LEAD-FREE PROCESS.
 - DATE : YMMDD
 - PACKAGING : TAPE & REEL.

符合GEN2

C	TERMINAL	9	COPPER ALLOY	6/7 PLATING ON CONTACT AREA; 8/9 PLATING ON SOLDERING TAIL AREA; AND 6/9/10 NICKEL UNDER PLATING.
B	SHELL	1	SUS304 T=0.20mm	60μin NICKEL Min.
A	HOUSING	1	PAT10T UL94V-0	BLACK
NO	DESCRIPTION	QTY	MATERIAL	PLATING & COLOR

Singatron Enterprise Co., Ltd.
信亨企業股份有限公司

DECIMALS:	ANGLES:	TITLE	USB 3.0 REVERSE CONNECTOR
X : ±0.5	X : ±2°	DWM	PAN
X.X : ±0.3	X.X : ±1°	CHKD	Allen
X.XX : ±0.2		APVD	Boye
PART NO. 2UB3M04-070201P			
SCALE 4:1 UNIT: mm			
SIZE: A3 SHEET: 1 OF 1 REV: A			

CUSTOMER COPY