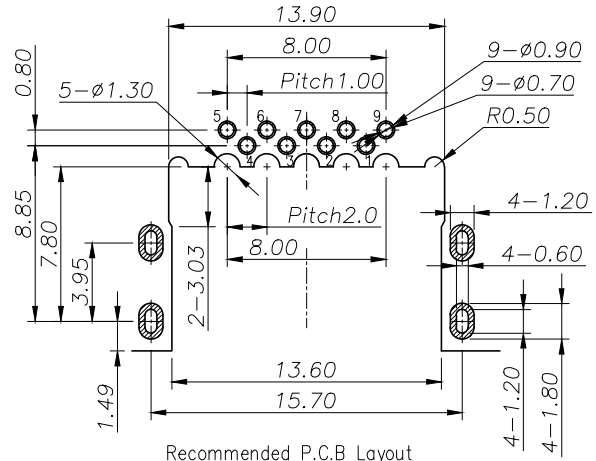
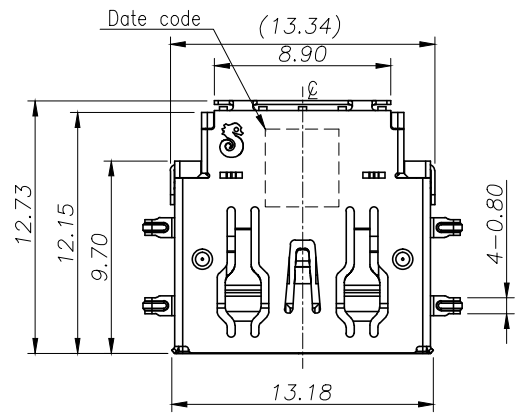
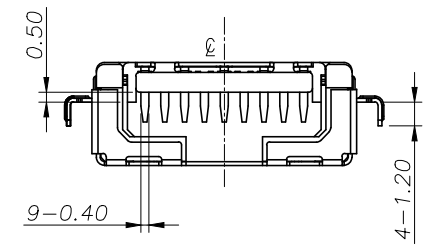
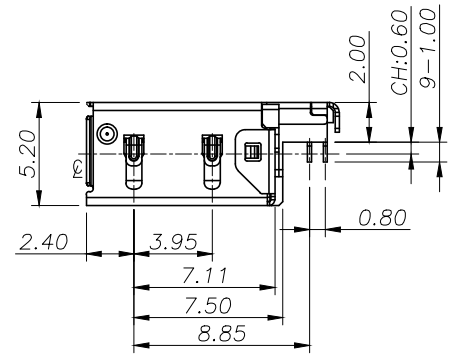
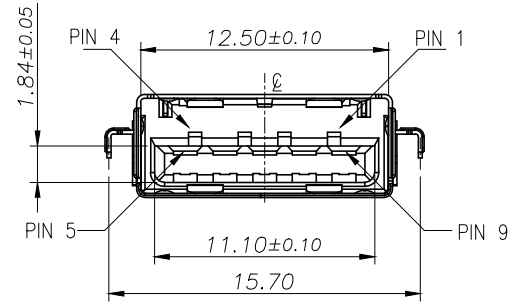


REV.	ECN NO OR DESCRIPTION	REVISED	DATE
A	PDR NO. T230222-3A	JIANGUO	2023.08.01

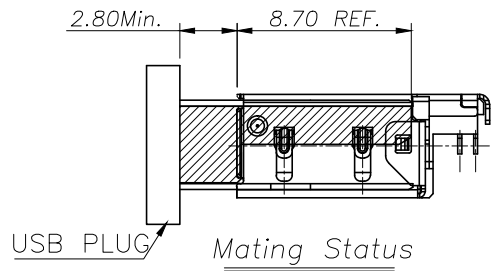
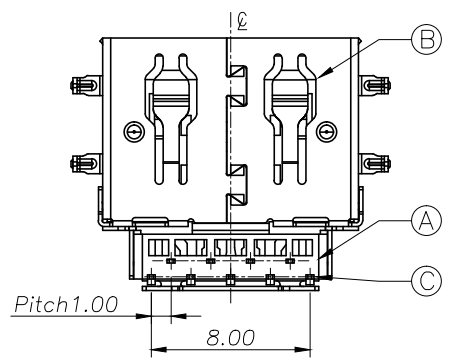


Recommended P.C.B Layout  
(TOP VIEW) TOLERANCE=±0.05

- SPECIFICATIONS:
- ELECTRICAL CHARACTERISTICS:
    - CURRENT RATING: 1.8A (PIN1,4) ; OTHER CONTACTS 0.25A
    - CONTACT RESISTANCE: 30mΩ Max.
    - DIELECTRIC WITHSTANDING VOLTAGE: 100V AC FOR 1 MINUTE
    - INSULATION RESISTANCE: 100MΩ Min.
  - MECHANICAL CHARACTERISTICS:
    - INSERTION FORCE : 2.5 Kgf Max.
    - WITHDRAWAL FORCE : 0.8 Kgf Min.
  - DURABILITY: 5,000 CYCLES.
  - TO CONFORM TO SINGATRON HAZARDOUS SUBSTANCE FREE SPEC.
  - HALOGEN FREE IDENTIFICATION MARK ON JACK: ⊕
  - HALOGEN FREE IDENTIFICATION LABEL ON PACKAGING: ⊕
  - FOR REFLOW SOLDERING LEAD-FREE PROCESS
  - DATE : YYMMDD or YMD
  - PACKAGING : TAPE & REEL.



Pin Number	Signal ASSIGNMENT
PIN 1	VBUS
PIN 2	D-
PIN 3	D+
PIN 4	GND
PIN 5	Std_A_SSRX-
PIN 6	Std_A_SSRX+
PIN 7	GND_DRAIN
PIN 8	Std_A_SSTX-
PIN 9	Std_A_SSTX+



USB 3.1 Gen2

C	TERMINAL	9	C5210-EH T=0.20mm	GOLD FLASH GOLD PLATING ON CONTACT AREA, 40-80μm MATTEN. TIN PLATING ON SOLDER TAIL AREA; AND 60μm NICKEL UNDER PLATING;
B	SHELL	1	SUS304 1/2H T=0.20mm	60μm Min.SOLDERABLE NICKEL PLATING.
A	HOUSING	1	PA9T+45%GF UL94V-0	BLUE
NO	DESCRIPTION	QTY	MATERIAL	PLATING & COLOR
UNLESS OTHERWISE SPECIFIED TOLERANCES		Singatron Enterprise Co., Ltd. 		
DECIMALS:		ANGLES:	TITLE	
X	:±0.5	X	:±2°	DWN
X.X	:±0.3	X.X	:±1°	CHKD
X.XX	:±0.2			APVD
				Boye
				SCALE 4:1
				UNIT: mm
				SIZE: A3
				SHEET:1 OF 1
				REV:A
CUSTOMER COPY				