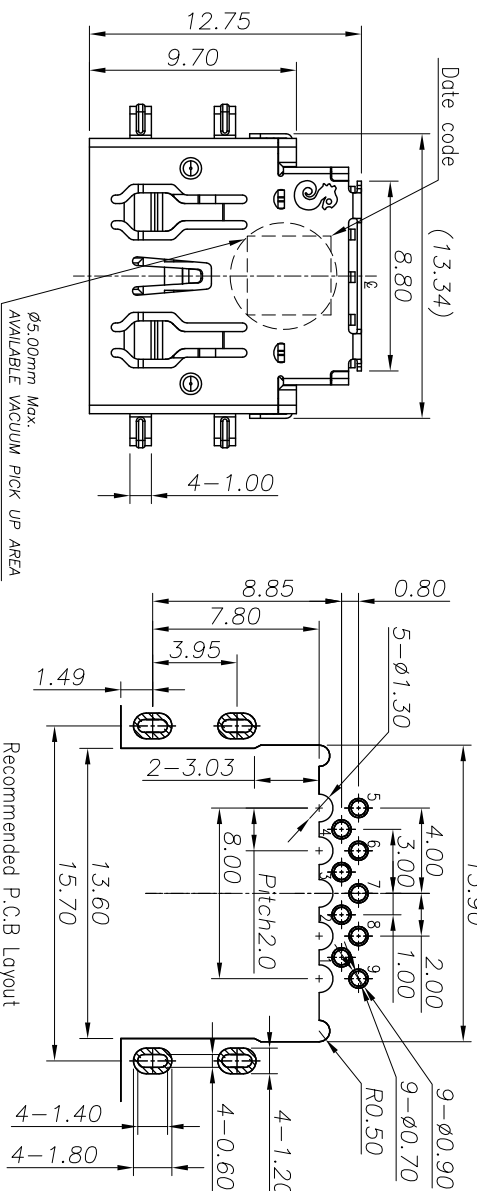
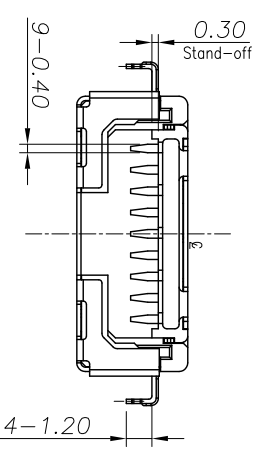
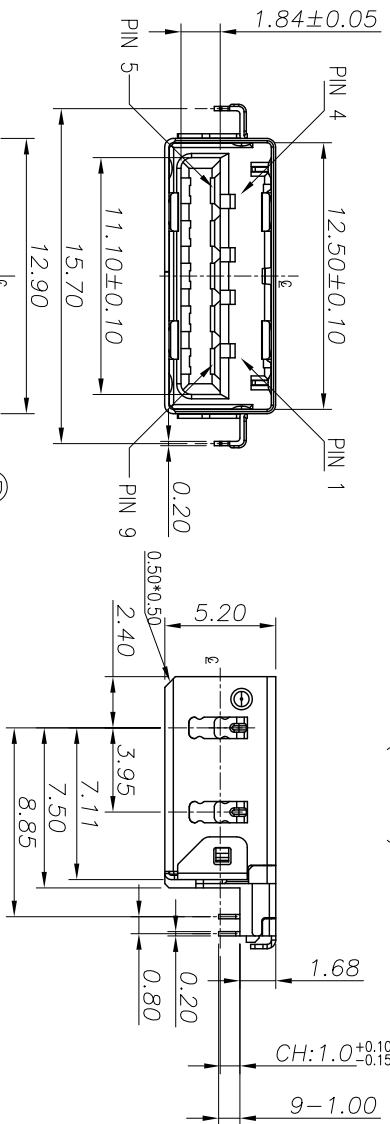


Pin Number	Pin 1	Pin 2	Pin 3	Pin 4	Pin 5	Pin 6	Pin 7	Pin 8	Pin 9
Signal ASSIGNMENT	VBUS	D-	D+	GND	SDA_SSRX-	SDA_SSRX+	GND_DRAIN	SDA_SSTRX-	SDA_SSTRX+



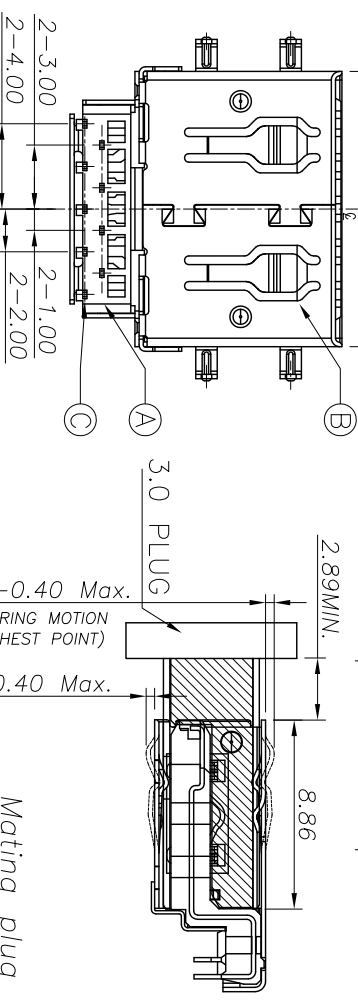
Recommended P.C.B Layout  
(TOP VIEW) TOLERANCE=±0.05

- SPECIFICATIONS:
- ELECTRICAL CHARACTERISTICS:
    - CURRENT RATING: 1.8A (PIN1,4) ; OTHER CONTACTS 0.25A
    - CONTACT RESISTANCE: 30mΩ Max.
    - DIELECTRIC WITHSTANDING VOLTAGE: 100V AC FOR 1 MINUTE
    - INSULATION RESISTANCE: 100MΩ Min.
  - MECHANICAL CHARACTERISTICS:
    - INSERTION FORCE : 2.5 Kgf Max.
    - WITHDRAWAL FORCE : 1.0~2.5 Kgf(INITIAL),0.8~2.5 Kgf (AFTER TEST)
    - DURABILITY: 5,000 CYCLES.
    - TO CONFORM TO SINGATRON HAZARDOUS SUBSTANCE FREE SPEC.
    - HALOGEN FREE IDENTIFICATION MARK ON JACK: ©
    - HALOGEN FREE IDENTIFICATION LABEL ON PACKAGING:
    - FOR IR REFLOW PROCESS.
    - DATE CODE : YMMDD
    - PACKAGING : TAPE & REEL.



USB3.1 Gen2

Gold Finish Plating on contact area,100µm Min., Matte Tin plating on solder tail, green and 80µm Min Nickel under plating.



Mating plug

C	TERMINAL	9	COOPER ALLOY	Gold Finish Plating on contact area,100µm Min., Matte Tin plating on solder tail, green and 80µm Min Nickel under plating.
B	SHELL	1	SUS304	NICKEL 80µm Min.
A	HOUSING	1	HIGH THERMOPLASTIC	NICKEL 80µm Min.
NO	DESCRIPTION	QTY	MATERIAL	PLATING & COLOR

UNLESS OTHERWISE SPECIFIED TOLERANCES

Singatron Enterprise Co., Ltd.  
信音企業股份有限公司

TITLE: USB 3.0 REVERSE CONNECTOR  
DWG: LIRUI PART NO.2UB3M04-080201F  
CHKD: allen SCALE 1:1 UNIT: mm  
APVD: boye SIZE: A3 SHEET: 1 OF 1 REV:A

CUSTOMER COPY