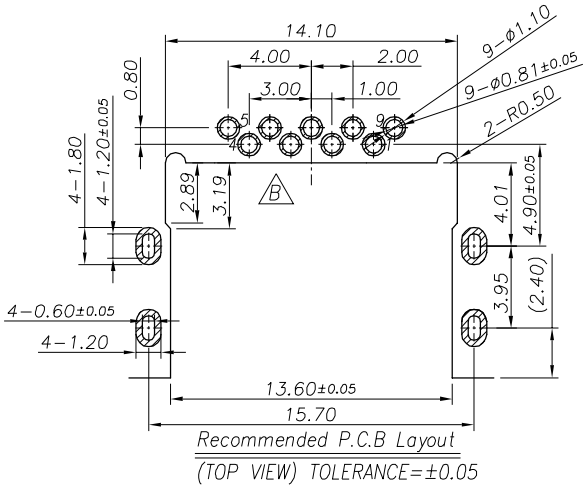
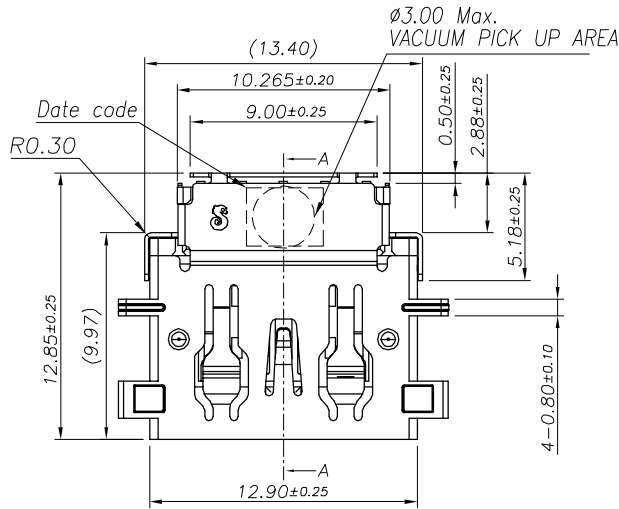


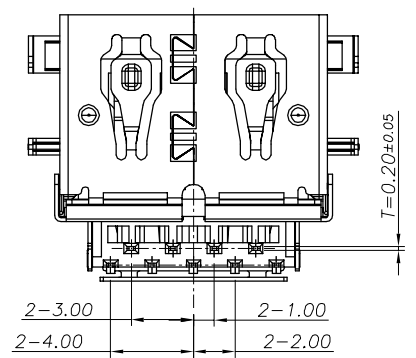
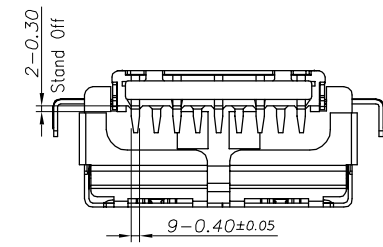
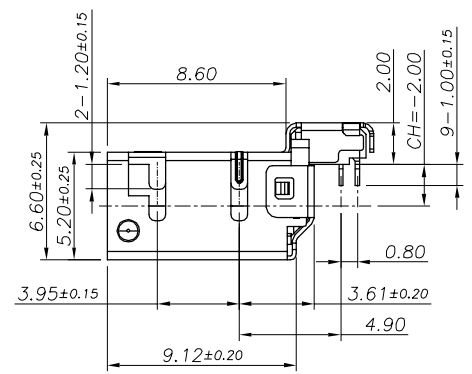
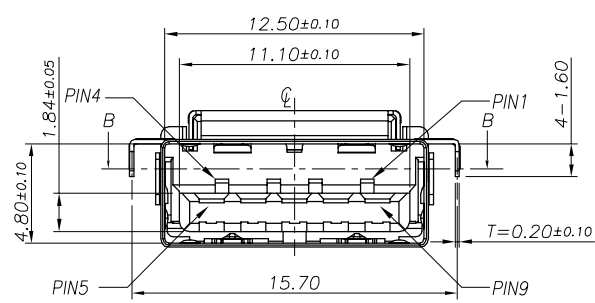
| | | | | | | | | | |
|-------------------|-------|-------|-------|-------|------------|------------|-----------|------------|------------|
| Pin Number | PIN 1 | PIN 2 | PIN 3 | PIN 4 | PIN 5 | PIN 6 | PIN 7 | PIN 8 | PIN 9 |
| Signal ASSIGNMENT | VBUS | D- | D+ | GND | StdA_SSRX- | StdA_SSRX+ | GND_DRAIN | StdA_SSTX- | StdA_SSTX+ |

| | | | |
|------|--------------------------------|----------|------------|
| REV. | ECN NO OR DESCRIPTION | REVISED | DATE |
| A | PDR NO. T230531-1A&1B | JIANGTAO | 2023.07.25 |
| B | ECN NO. S202308-C13 Δ B | Shihang | 2023.09.12 |



SPECIFICATIONS:

- ELECTRICAL CHARACTERISTICS:
 - CURRENT RATING: 2.0A (PIN1,4) ; OTHER CONTACTS 0.25A
 - CONTACT RESISTANCE: 30mΩ Max.
 - DIELECTRIC WITHSTANDING VOLTAGE: 100V AC FOR 1 MINUTE
 - INSULATION RESISTANCE: 100MΩ Min.
- MECHANICAL CHARACTERISTICS:
 - INSERTION FORCE: 1.02~2.25Kgf INITIAL 0.816~2.25Kgf AFTER TEST;
 - WITHDRAWAL FORCE: 1.02~2.25Kgf INITIAL ; 0.816~2.25Kgf AFTER TEST;
- DURABILITY: 5,000 CYCLES.
- TO CONFORM TO SINGATRON HAZARDOUS SUBSTANCE FREE SPEC.
- HALOGEN FREE IDENTIFICATION MARK ON JACK: \odot
- HALOGEN FREE IDENTIFICATION LABEL ON PACKAGING: \odot
- FOR REFLOW SOLDERING LEAD-FREE PROCESS.
- DATE : YYMMDD
- PACKAGING : TAPE & REEL.

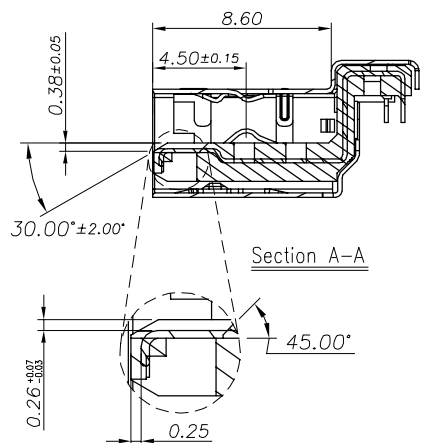
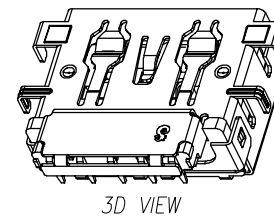
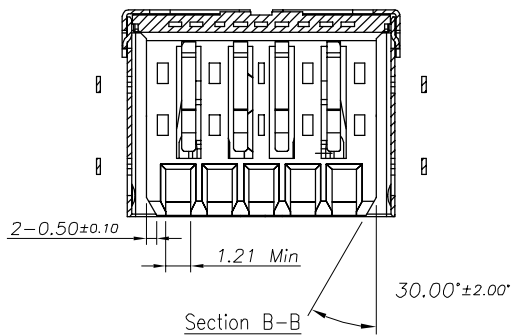


| | | | | |
|----|-------------|-----|-----------------------|---|
| C | TERMINAL | 9 | COPPER ALLOY T=0.20mm | SEE TABLE* PLATING ON CONTACT AREA; 40uin Min. Matte, Tin PLATING ON SOLDERING TAIL AREA; AND 50uin Min. NICKEL UNDER PLATING. |
| B | SHELL | 1 | SUS304 T=0.20mm | 60uin NICKEL Min. |
| A | HOUSING | 1 | PA10T UL94V-0 | BLACK |
| NO | DESCRIPTION | QTY | MATERIAL | PLATING & COLOR |

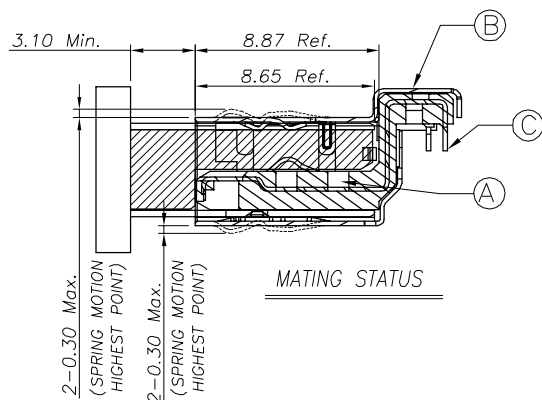
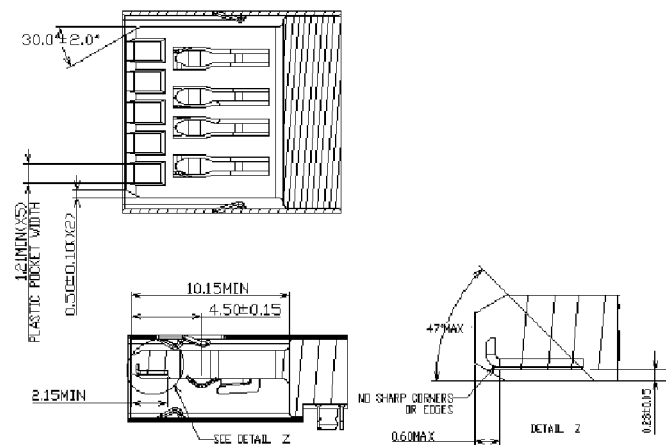
| | | | |
|---------------------------------------|-----------|------------------------------------|------------------------------------|
| UNLESS OTHERWISE SPECIFIED TOLERANCES | | Singatron Enterprise Co., Ltd. | |
| DECIMALS: | ANGLES: | TITLE | USB 3.0 REVERSE CONNECTOR FOR GEN2 |
| X : ±0.5 | X : ±2° | DWN | Shihang PART NO.2UB3M04-084X01F |
| X.X : ±0.3 | X.X : ±1° | CHKD | Allen SCALE 4:1 UNIT: mm |
| X.XX : ±0.2 | | APVD | Boye SIZE: A3 SHEET:1 OF 2 REV:B |
| CUSTOMER COPY | | | |

| | |
|--------|-----------------|
| TABLE: | 2UB3M04-084X01F |
| | 1:G/F |
| | 2:Au 30u" |

| REV. | ECN NO OR DESCRIPTION | REVISED | DATE |
|------|-----------------------|----------|------------|
| A | PDR NO. T230531-1A&1B | JIANGTAO | 2023.07.25 |
| B | ECN NO. S202308-C13 | Shihang | 2023.09.12 |



Universal Serial Bus 3.1 Specification



| NO | DESCRIPTION | QTY | MATERIAL | PLATING & COLOR |
|---------------------------------------|-------------|--|----------|---------------------------------------|
| UNLESS OTHERWISE SPECIFIED TOLERANCES | | Singatron Enterprise Co., Ltd. 信音企業股份有限公司 | | |
| DECIMALS: ANGLES: | | TITLE: USB 3.0 REVERSE CONNECTOR FOR GEN2 | | |
| X | :±0.5 | X | :±2° | DWN Shihang PART NO.2UB3M04-084X01F |
| X.X | :±0.3 | X.X | :±1° | CHKD Allen SCALE 4:1 UNIT: mm |
| X.XX | :±0.2 | | | APVD Boye SIZE: A3 SHEET:2 OF 2 REV:B |
| CUSTOMER COPY | | | | |