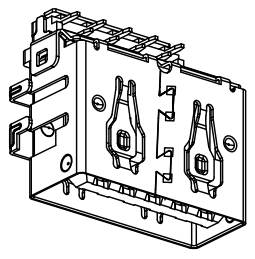
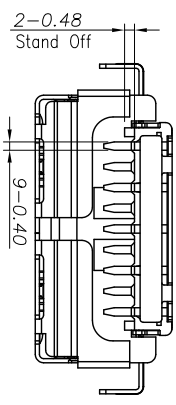
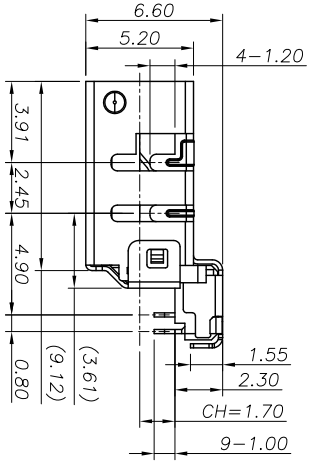
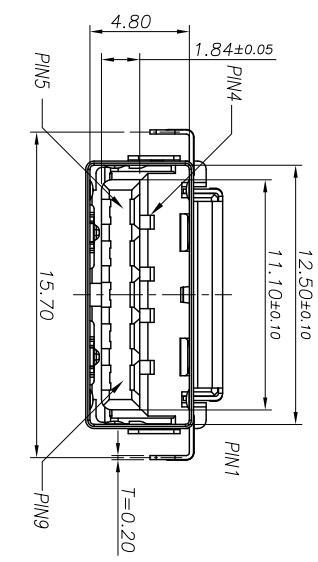
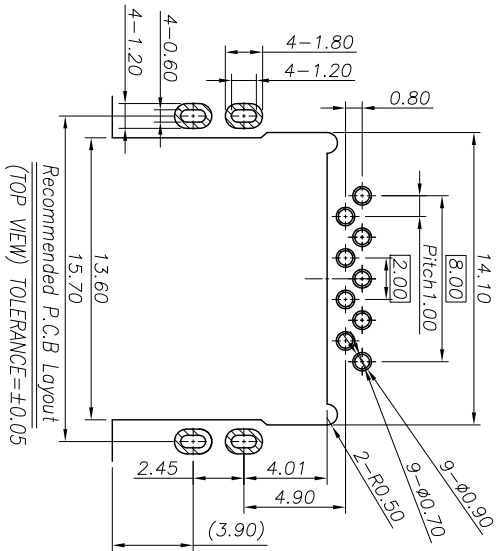
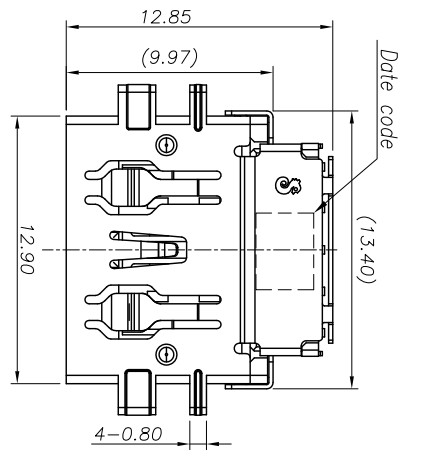
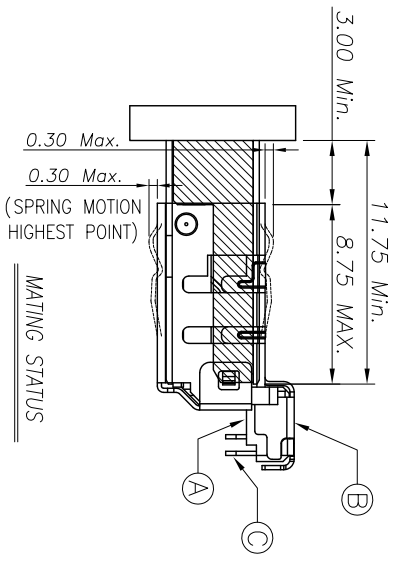
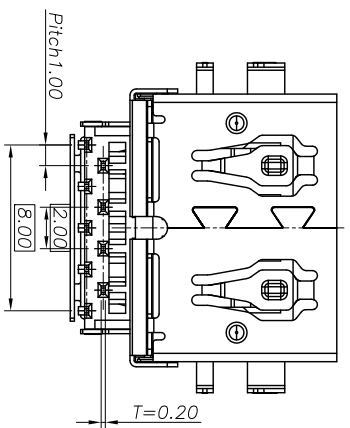


Pin Number	1	2	3	4	5	6	7	8	9
Signal ASSIGNMENT	VBUS	D-	D+	GND	Stda_SSRX-	Stda_SSRX+	GND_DRAIN	Stda_SSTX-	Stda_SSTX+

REV.	ECN NO.	OR DESCRIPTION	REVISED	DATE
A	PDR NO.	T230612-2A	jiangtao	2023.08.29



3D VIEW



SPECIFICATIONS:

- ELECTRICAL CHARACTERISTICS:
  - CURRENT RATING: 2.5A (PIN1,4) ; OTHER CONTACTS 0.25A
  - CONTACT RESISTANCE: 30mΩ Max.
  - IELECTRIC WITHSTANDING VOLTAGE: 100V AC FOR 1 MINUTE
  - INSULATION RESISTANCE: 100MΩ Min.
- MECHANICAL CHARACTERISTICS:
  - INSERTION FORCE: 1.02~2.25 Kgf INITIAL; AFTER TEST: 0.816~2.25Kgf
  - WITHDRAWAL FORCE: 1.02~2.25Kgf INITIAL AFTER TEST: 0.816~2.25Kgf
  - DURABILITY: 5,000 CYCLES.
  - TO CONFORM TO SINGATRON HAZARDOUS SUBSTANCE FREE SPEC.
  - HALOGEN FREE IDENTIFICATION MARK ON JACK: (H)
  - HALOGEN FREE IDENTIFICATION LABEL ON PACKAGING: (H)
  - FOR REFLOW SOLDERING LEAD-FREE PROCESS.
  - DATE : YMMDD
  - PACKAGING : TAPE & REEL.

符合GEN2

C	TERMINAL	9	COPPER ALLOY	10um Au Min. Gold PLATING ON CONTACT PINS ON SPACERS AND ALL PINS AND SOLDER NICKEL UNDER PLATING.
B	SHELL	1	SUS304 T=0.20mm	60um NICKEL Min.
A	HOUSING	1	PATOT UL94V-0	BLACK
NO	DESCRIPTION	QTY	MATERIAL	PLATING & COLOR
UNLESS OTHERWISE SPECIFIED TOLERANCES				
Singatron Enterprise Co., Ltd. 信登企業股份有限公司				
TITLE USB 3.0 REVERSE CONNECTOR				
DECIMALS:	ANGLES:			
X : ±0.5	X : ±2°			
X.X : ±0.3	X.X : ±1°			
X.XX : ±0.2				
CUSTOMER COPY				