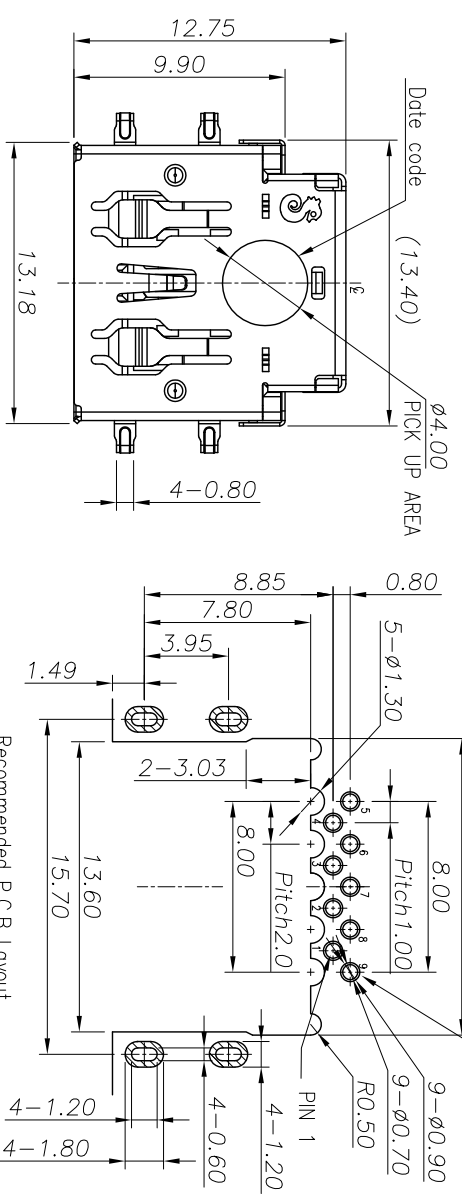
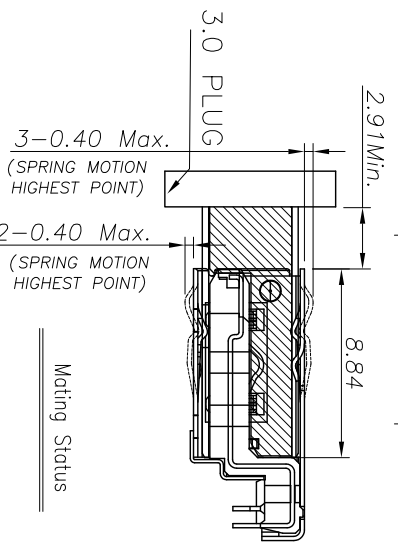
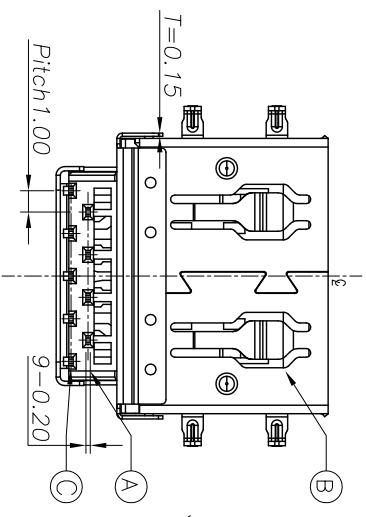
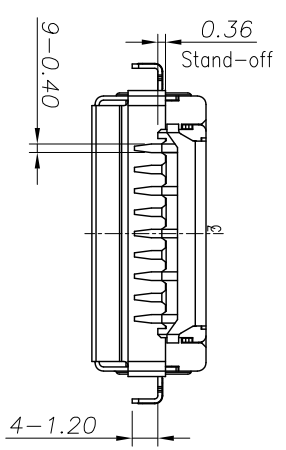
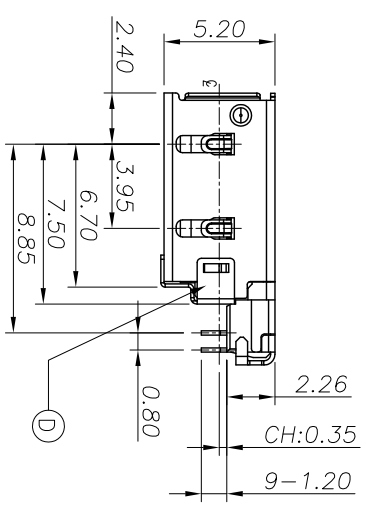
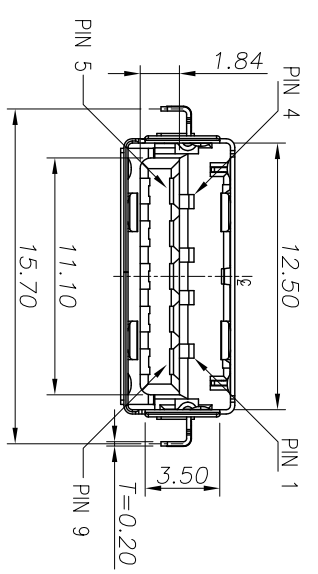


Pin Number	PIN 1	PIN 2	PIN 3	PIN 4	PIN 5	PIN 6	PIN 7	PIN 8	PIN 9
Signal ASSIGNMENT	VBUS	D-	D+	GND	SDA_SSPX	SDA_SSPX4	GND_DRAIN	SDA_SSTX	SDA_SSTX4



Recommended P.C.B Layout
(TOP VIEW) TOLERANCE=±0.05



Mating Status

REV.	ECN NO OR DESCRIPTION	REVISED	DATE
A	PDR NO. T230628-5A	JIANGTAO	2023.09.25

- SPECIFICATIONS:
1. ELECTRICAL CHARACTERISTICS:
- 1-1. CURRENT RATING: 2.0A (PIN1,4) ; OTHER CONTACTS 0.25A
 - 1-2. CONTACT RESISTANCE: 30mΩ Max.
 - 1-3. DIELECTRIC WITHSTANDING VOLTAGE: 100V AC FOR 1 MINUTE
 - 1-4. INSULATION RESISTANCE: 100MΩ Min.
2. TO CONFORM TO SINGATRON HAZARDOUS SUBSTANCE FREE SPEC.
3. HALOGEN PRODUCT IDENTIFICATION MARK ON JACK: ©
4. HALOGEN PRODUCT IDENTIFICATION LABEL ON PACKAGING:
5. FOR WAVE SOLDERING LEAD-FREE PROCESS.
6. DATE : YMMDD
7. PACKAGING : TAPE & REEL.

D	SHELL COVER	1	STAINLESS STEEL T=0.15mm	Cleaning	USB 3.1 Gen2
C	TERMINAL	9	PHOSPHOR BRONZE T=0.20mm	Turn Au plating on contact area, 40μ-100μm White Tin plating on tail area, and 60μm Nickel under plating.	
B	SHELL	1	STAINLESS STEEL T=0.20mm	60μm Min. Solderable Nickel plating	
A	HOUSING	1	HIGH TEMPERATURE PLASTIC UL 94V-0	BLACK	
NO	DESCRIPTION	QTY	MATERIAL	PLATING & COLOR	

UNLESS OTHERWISE SPECIFIED TOLERANCES					
Singatron Enterprise Co., Ltd. 信營企業股份有限公司					
TITLE USB 3.0 REVERSE CONNECTOR					
DECIMALS:	ANGLES:	PART NO. 2UB3M04-087201F			
X : ±0.5	X : ±2°	CHKD ALLEN	SCALE 1:1	UNIT: mm	REV: A
X.X : ±0.3	X.X : ±1°	APVD Boye	SIZE: A3	SHEET: 1 OF 1	
X.XX : ±0.2		CUSTOMER COPY			