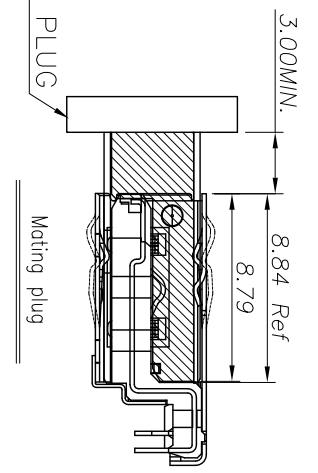
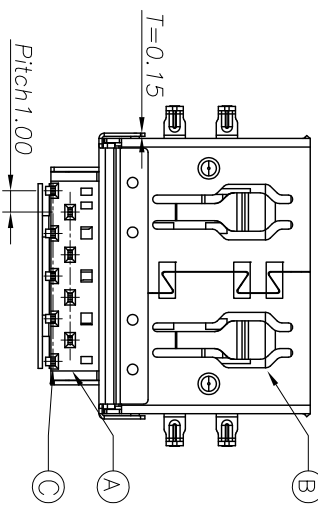
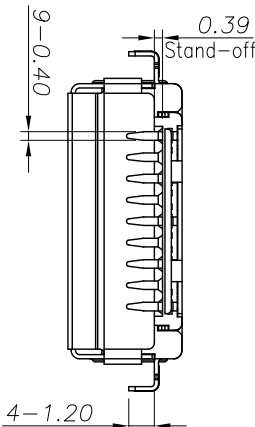
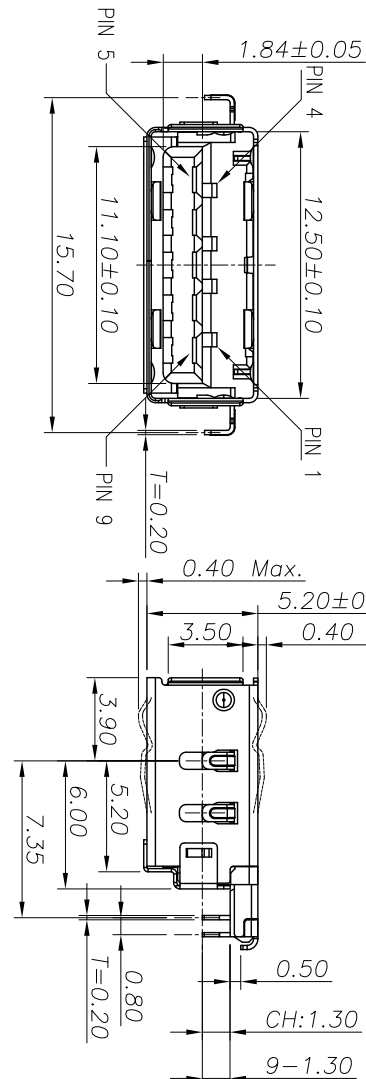


Recommended P.C.B Layout
(TOP VIEW) TOLERANCE=±0.05



REV.	ECN NO.	OR DESCRIPTION	REVISED	DATE
A	PDR NO. T230630-1A		shihang	2023.09.20
B	EDN NO. S202310-004		jianguo	2023.12.04

- SPECIFICATIONS:
- ELECTRICAL CHARACTERISTICS:
 - CURRENT RATING: 1.8A (PIN1,4) ; OTHER CONTACTS 0.25A
 - CONTACT RESISTANCE: 30mΩ MAX.
 - DIELECTRIC WITHSTANDING VOLTAGE: 100V AC FOR 1 MINUTE
 - INSULATION RESISTANCE: 100MΩ MIN
 - MECHANICAL CHARACTERISTICS:
 - INSERTION FORCE : 3.57 Kgf Max.
 - WITHDRAWAL FORCE : 2.54 Kgf Max., 1.02 Kgf Min.
 - DURABILITY: 5,000 CYCLES, ΔA
 - TO CONFORM TO SINGATRON HAZARDOUS SUBSTANCE FREE SPEC.
 - HALOGEN PRODUCT IDENTIFICATION MARK ON JACK: ©
 - HALOGEN PRODUCT IDENTIFICATION LABEL ON PACKAGING: ©
 - FOR WAVE SOLDERING LEAD-FREE PROCESS.
 - DATE : YMMDD
 - PACKAGING : TAPE & REEL.
 - ▽ REPRESENT CPK DIMENSIONS.

Pin Number	Signal ASSIGNMENT
PIN 1	VBUS
PIN 2	D-
PIN 3	D+
PIN 4	GND
PIN 5	SDA_SSRX-
PIN 6	SDA_SSRX+
PIN 7	GND_DRAIN
PIN 8	SDA_SSTX-
PIN 9	SDA_SSTX+

NO	DESCRIPTION	QTY	MATERIAL	PLATING & COLOR
D	SHELL COVER	1	SUS430	T=0.15
C	TERMINAL	9	COPPER ALLOY	
B	SHELL	1	SUS304	T=0.20
A	HOUSING	1	HIGH THERMOPLASTIC	U94 V-0 BLUE

UNLESS OTHERWISE SPECIFIED TOLERANCES

Singatron Enterprise Co., Ltd.
信營企業股份有限公司

TITLE	DECIMALS:	ANGLES:
USB 3.0 REVERSE CONNECTOR	±0.5	±2°
	±0.3	±1°
	±0.2	

APVD	boye	SIZE: A3	SHEET: 1 OF 1	REV: B
CUSTOMER COPY				