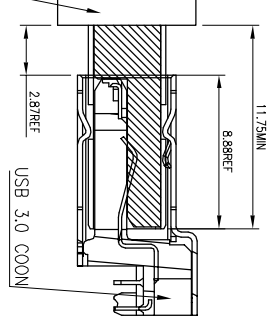
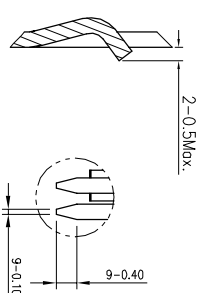
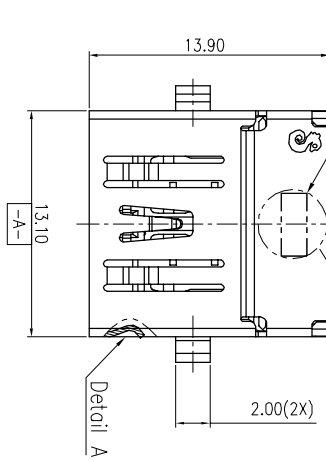


REV	ECN NO	OR DESCRIPTION	REVISED	DATE
A	PDR NO:1181116-3A	Mystic	2019.09.28	

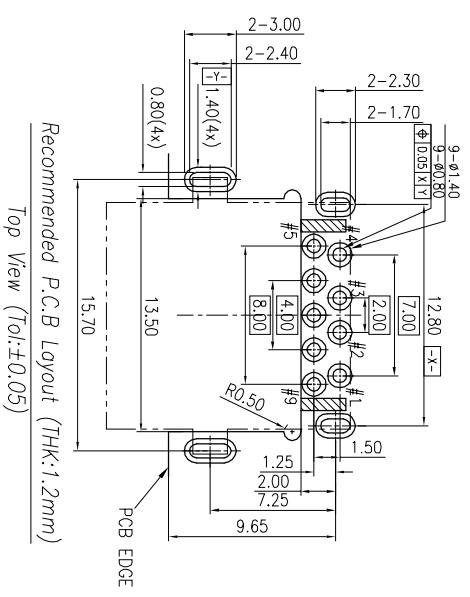
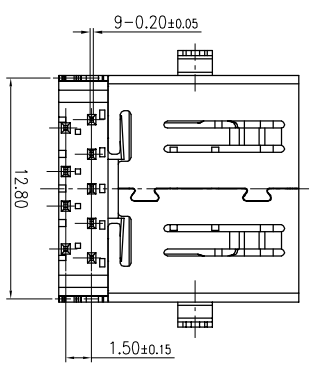
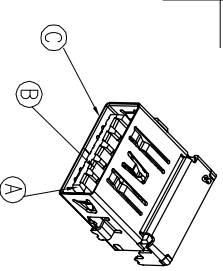
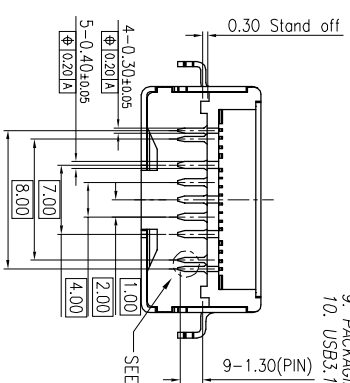
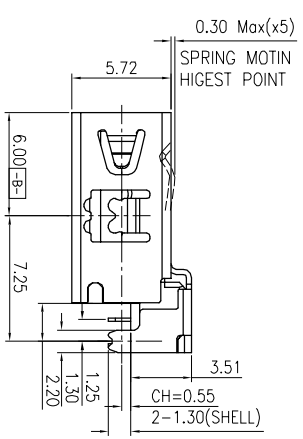
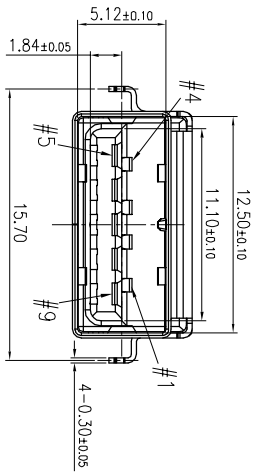
DATE CODE

4mm AVAILABLE
VACUUM PICK UP AREA



MATED SECTION

- SPECIFICATIONS:
- ELECTRICAL CHARACTERISTICS:
 - CURRENT RATING: 1.8A (PINT.4) ; OTHER CONTACTS 0.25A
 - CONTACT RESISTANCE: 30mΩ MAX.
 - DIELECTRIC WITHSTANDING VOLTAGE: 100V AC FOR 1 MINUTE
 - INSULATION RESISTANCE: 100MΩ MIN
 - MECHANICAL CHARACTERISTICS:
 - INSERTION FORCE : 2.5 kgf MAX
 - WITHDRAWAL FORCE : 1.0 kgf MIN(INITIAL),0.8 kgf(AFTER TEST)
 - DURABILITY: 5,000 CYCLES.
 - TO CONFORM TO SINGATRON HAZARDOUS SUBSTANCE FREE SPEC.
 - HALOGEN PRODUCT IDENTIFICATION MARK ON JACK: ©
 - HALOGEN PRODUCT IDENTIFICATION LABEL ON PACKAGING: ©
 - FOR IR REFLOW PROCESS.
 - DATE : YMD-
 - PACKAGING : TAPE & REEL.
 - USB3:1(GEN.2)



Recommended P.C.B Layout (THK:1.2mm)
Top View (Tol:±0.05)

Pin NO	Signal Assignment
# 1	VBUS
# 2	D-
# 3	D+
# 4	GND
# 5	SSRX-
# 6	SSRX+
# 7	GND
# 8	SSTX-
# 9	SSTX+

A	B	C	D	E	F	G	H
NO	DESCRIPTION	QTY	MATERIAL	PLATING & COLOR			
A	BODY	1	PA9T UL94-V0	BLUE			
B	9P TERMINAL	9	C5210 0.2T				
C	SHELL	1	STAINLESS STEEL 0.3T	NICKEL 60U MIN			

UNLESS OTHERWISE SPECIFIED TOLERANCES

DECIMALS: ANGLES:

X :±0.5 X :±2

X.X :±0.3 X.X :±1

X.XX :±0.2

SINGATRON logo

Singatron Enterprise Co., Ltd.
信晉企業股份有限公司

TITLE: USB3.1 GEN2 CONNECTOR(CH=0.55mm)

DWM: Mystic

CHKD: APVD

SCALE: 4:1

SIZE: A3

SHEET: 1 OF 1

REV: A

CUSTOMER COPY