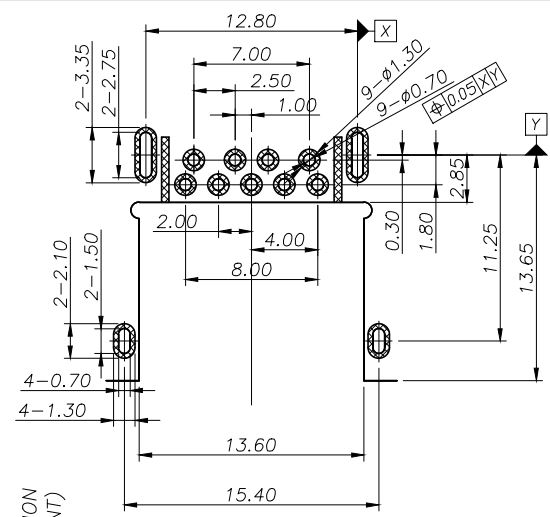
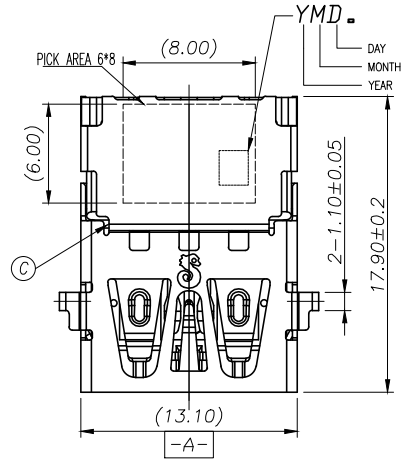
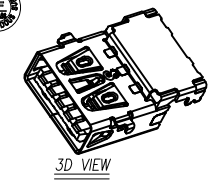


1 2 3 4 5 6 7 8

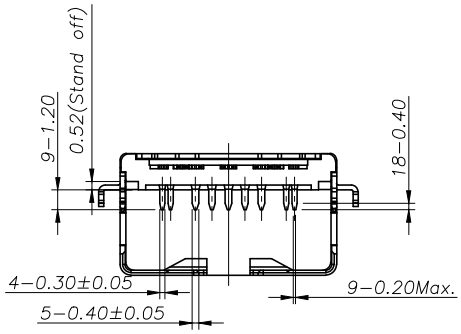
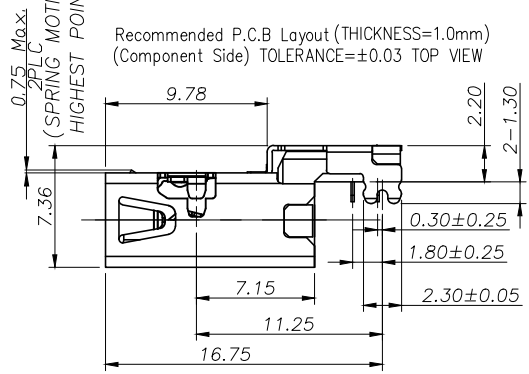
REV.	ECN NO OR DESCRIPTION	REVISED	DATE
A	PDR NO: T190114-1A	Edi.Zhou	2019.11.11
B	ECN NO: S202208-C09	BING	2022.09.27
C	ECN NO: S202209-C13	BING	2023.02.02



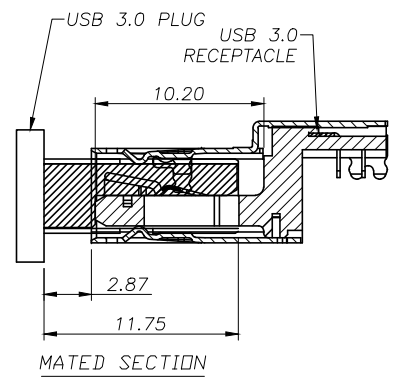
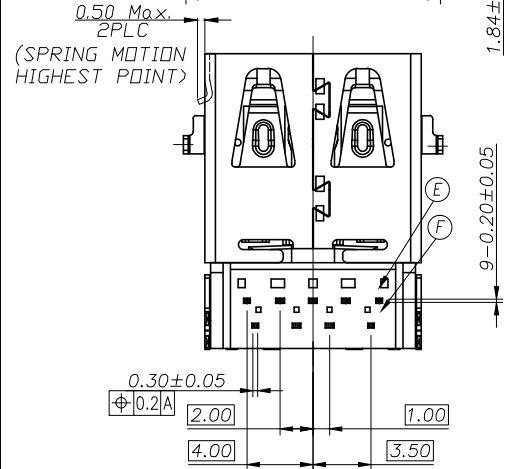
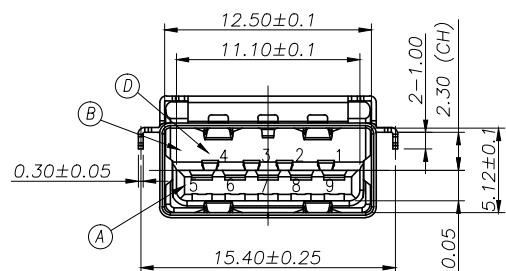
- SPECIFICATIONS:**
- ELECTRICAL CHARACTERISTICS:**
 - CURRENT RATING: 1.8A (PIN1,4) ; OTHER CONTACTS 0.25A
 - CONTACT RESISTANCE: 30mΩ MAX.
 - DIELECTRIC WITHSTANDING VOLTAGE: 100V AC FOR 1 MINUTE
 - INSULATION RESISTANCE: 100M Ω MIN
 - MECHANICAL CHARACTERISTICS:**
 - INSERTION FORCE : 2.0 Kgf Max.
 - WITHDRAWAL FORCE : 0.70~2.00 Kgf ;
 - DURABILITY: 5,000 CYCLES.
 - TO CONFORM TO SINGATRON HAZARDOUS SUBSTANCE FREE SPEC.
 - HALOGEN FREE IDENTIFICATION MARK ON JACK: Ⓢ
 - HALOGEN FREE IDENTIFICATION LABEL ON PACKAGING:
 - FOR IR-REFLOW LEAD-FREE PROCESS.
 - DATE : YMD
 - PACKAGING : TAPE & REEL.



Recommended P.C.B Layout (THICKNESS=1.0mm)
(Component Side) TOLERANCE=±0.03 TOP VIEW



Pin Number	Signal ASSIGNMENT
PIN 1	VBUS
PIN 2	D-
PIN 3	D+
PIN 4	GND
PIN 5	StdA_SSRX-
PIN 6	StdA_SSRX+
PIN 7	GND_DRAIN
PIN 8	StdA_SSTX-
PIN 9	StdA_SSTX+



C	TERMINAL	9	C5210	5u"Au PLATED ON MATING AREA, 120u" MATT Sn PLATED ON SOLDERING, 80u" NICKEL UNDER PLATING OVERALL.
B	SHELL	1	STAINLESS STEEL	BLACK NI 60u" MIN
A	HOUSING	1	PA UL94V-0	BLACK
NO	DESCRIPTION	QTY.	MATERIAL	PLATING & COLOR
UNLESS OTHERWISE SPECIFIED TOLERANCES		Singatron Enterprise Co., Ltd. 信音企業股份有限公司		
DECIMALS:		TITLE		
X	:±0.5	USB 3.0 REVERSE CONNECTOR		
X.X	:±0.4	DWN	BING	PART NO.2UB3M06-000101F
X.XX	:±0.3	CHKD	ALLEN	SCALE 1:1 UNIT: mm
		APVD	Boye	SIZE: A3 SHEET:1 OF 1 REV:C
CUSTOMER COPY				

1 2 3 4 5 6 7 8