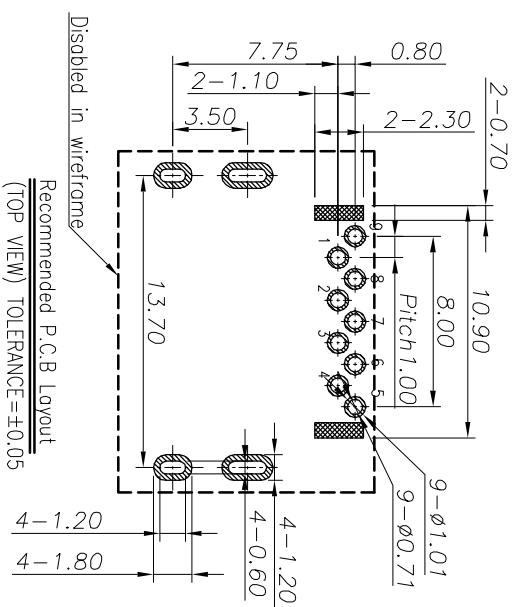
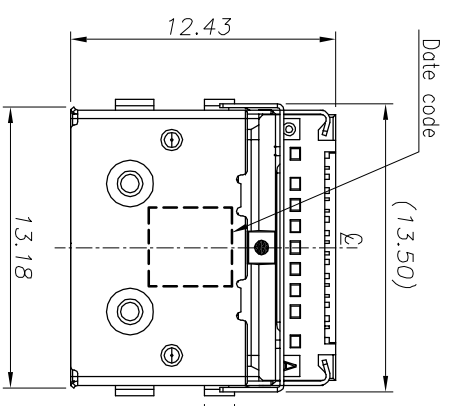
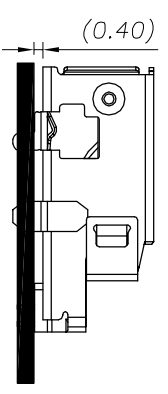
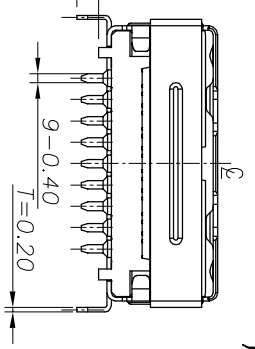
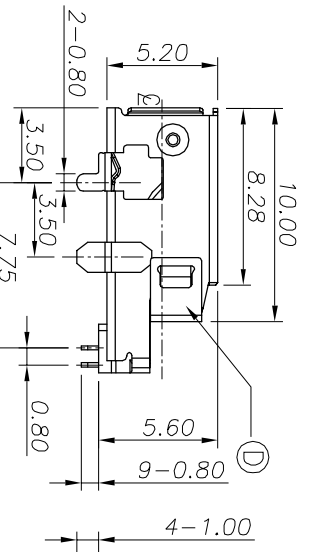
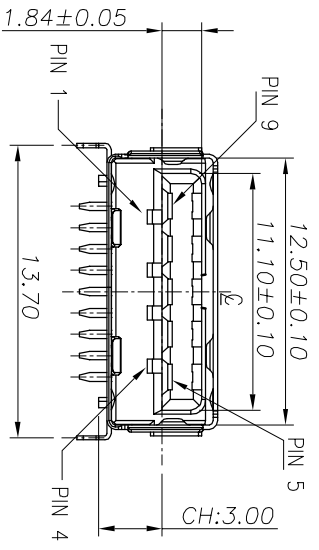


Pin Number	PIN 1	PIN 2	PIN 3	PIN 4	PIN 5	PIN 6	PIN 7	PIN 8	PIN 9
Signal ASSIGNMENT	VBUS	D-	D+	GND	SDA_SSRX-	SDA_SSRX+	GND_DRAIN	SDA_SSRX-	SDA_SSRX+

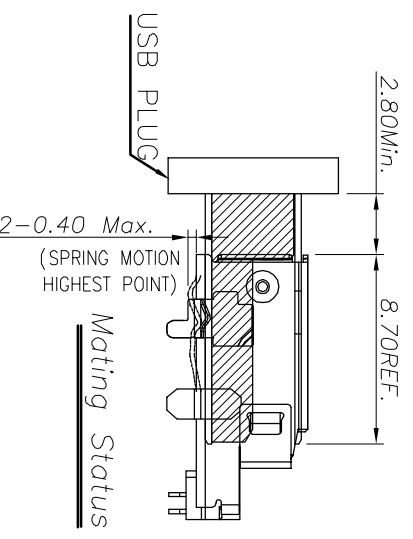
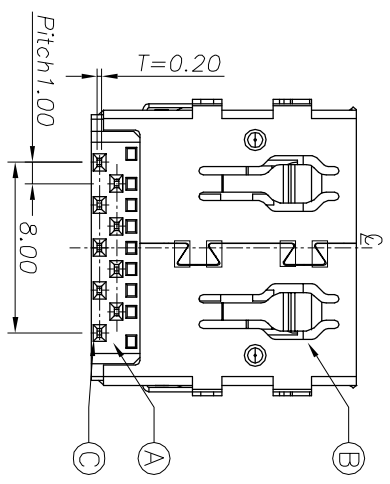


- SPECIFICATIONS:**
- ELECTRICAL CHARACTERISTICS:**
 - CURRENT RATING: 1.8A (PIN 4) ; OTHER CONTACTS 0.25A
 - CONTACT RESISTANCE: VBUS&GND 50mΩ Max ,Other 50mΩ MAX
 - DIELECTRIC WITHSTANDING VOLTAGE: 100V AC FOR 1 MINUTE
 - INSULATION RESISTANCE: 100MΩ Min.
 - MECHANICAL CHARACTERISTICS:**
 - INSERTION FORCE : 2.5 kgf Max.
 - WITHDRAWAL FORCE : 0.8 kgf Min.
 - DURABILITY:** 5,000 CYCLES.
 - TO CONFORM TO SINGATRON HAZARDOUS SUBSTANCE FREE SPEC.**
 - HALOGEN FREE IDENTIFICATION MARK ON JACK: Ⓢ**
 - HALOGEN FREE IDENTIFICATION LABEL ON PACKAGING: Ⓢ**
 - FOR IR REFLOW PROCESS.**
 - DATE : YMMDD or YMD**
 - PACKAGING : TAPE & REEL.**



产品底部距PCB板面有0.50mm的高度空间

FOR GEN2



NO	DESCRIPTION	QTY	MATERIAL	PLATING & COLOR
D	COVER	1	SUS304 1/2H T=0.20mm	Blanking
C	TERMINAL	9	CS210-EH T=0.20mm	0.3um Min. Au plating on contact 0.3um Min. Au plating on solder -full unexposed 80um Min. Nickel under plating.
B	SHELL	1	SUS304 1/2H T=0.20mm	80um Min. Solderable Nickel plating.
A	HOUSING	1	PA9T+45%GF/ UL94V-0	BLUE
NO	DESCRIPTION	QTY	MATERIAL	PLATING & COLOR

UNLESS OTHERWISE SPECIFIED TOLERANCES

DECIMALS: ANGLES: X :±2° X.X :±0.3 X.X.X :±1° X.XX :±0.2

TITLE	USB 3.0 REVERSE CONNECTOR
DWN	haoian
CHKD	ALLEN
APVD	BOYE
PART NO.	2UB3M09-003201F
SCALE	4:1
UNIT:	mm
SIZE:	A3
SHEET:	1 OF 1
REV:	A

CUSTOMER COPY

REV.	ECN NO OR DESCRIPTION	REVISED	DATE
A	PDR NO.T230330-2A	haoian	2024.01.27