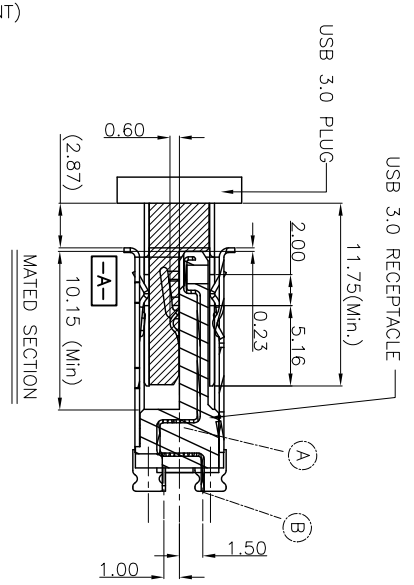
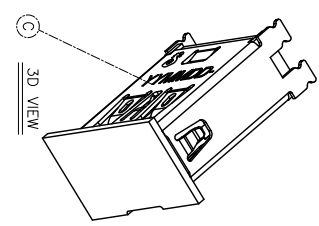
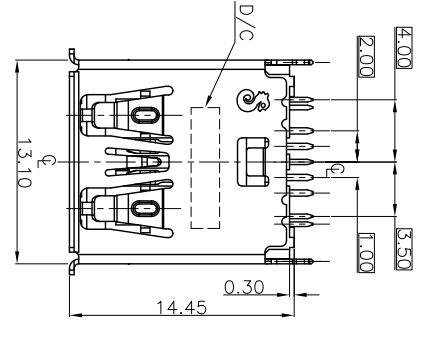
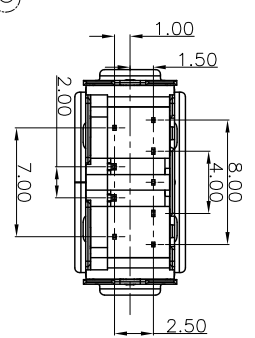
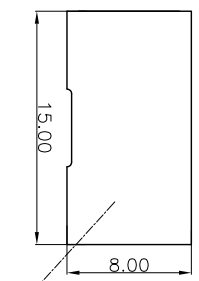
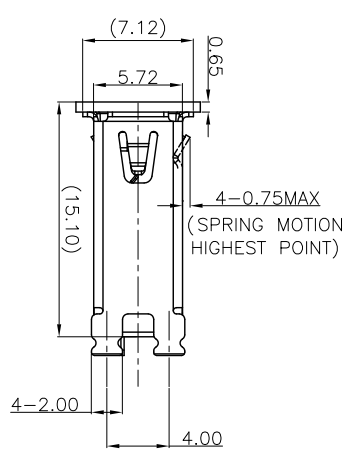
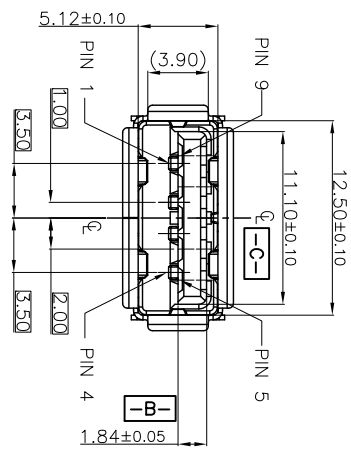


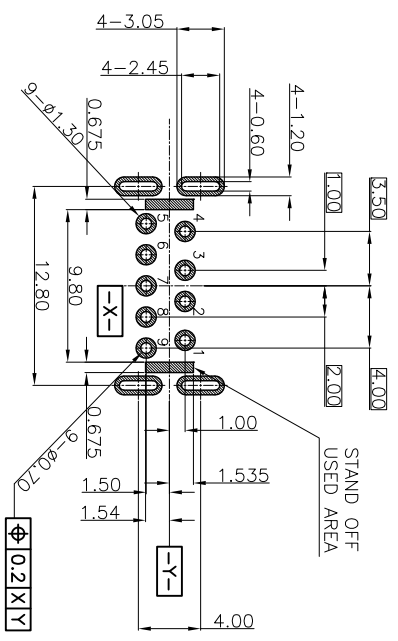
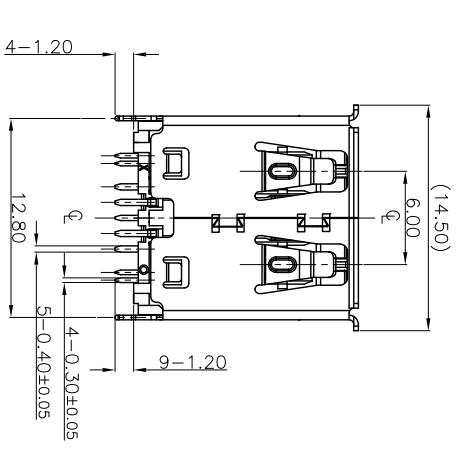
Pin Number	PIN 1	PIN 2	PIN 3	PIN 4	PIN 5	PIN 6	PIN 7	PIN 8	PIN 9
Signal ASSIGNMENT	VBUS	D-	D+	GND	Stda_SSRX-	Stda_SSRX+	GND_DRAIN	Stda_SSTX-	Stda_SSTX+



- SPECIFICATIONS:
- ELECTRICAL CHARACTERISTICS:
    - CURRENT RATING: 1.8A (PIN1,4); OTHER CONTACTS 0.25A.
    - CONTACT RESISTANCE: 30mΩ Max.
    - DIELECTRIC WITHSTANDING VOLTAGE: 100V AC FOR 1 MINUTE.
    - INSULATION RESISTANCE: 100MΩ Min.
  - MECHANICAL CHARACTERISTICS:
    - INSERTION FORCE: 3.5Kgf Max.
    - WITHDRAWAL FORCE: 1.0Kgf Min.
  - DURABILITY: 5,000 CYCLES.
  - TO CONFORM TO SINGATRON HAZARDOUS SUBSTANCE FREE SPEC.
  - HALOGEN FREE IDENTIFICATION MARK ON JACK: ©
  - HALOGEN FREE IDENTIFICATION LABEL ON PACKAGING: ©
  - FOR REFLOW SOLDERING LEAD-FREE PROCESS.
  - DATE: YYMMDD.
  - PACKAGING: TAPE & REEL.



2UB3M12-000X01P  
1:GEN1  
2:GEN2



Recommended P.C.B Layout(TOP VIEW)  
TOLERANCE=±0.05(THK:1.2mm)

REV.	ECN NO	OR DESCRIPTION	REVISED	DATE
A	PDR NO: 1210415-1AB	HAOLIAN	P021.12.24	
B	ECN NO: S202302-009	HAOLIAN	P023.05.25	

D	CAP	1	HIGH TEMP.THERMOPLASTIC	BLACK
C	SHELL	1	STAINLESS STEEL,T=0.30	60μm Min. Solderable Nickel platin
B	9 PIN TERMINAL	1	COPPER ALLOY, T=0.20	120μm Min.(Matle) Tin Plating on solder coil area and 60μm Min. Nickel under Plating
A	BODY	1	HIGH TEMP.THERMOPLASTIC	BLUE(300C)
UNLESS OTHERWISE SPECIFIED TOLERANCES		QTY	MATERIAL	PLATING & COLOR
DECIMALS:		ANGLES:	TITLE	
X	:±0.5	X	:±2°	USB 3.0 VERTICAC TYPE
X,X	:±0.3	X,X	:±1°	DWM HAOLIAN PART NO:2UB3M12-000X01P
X,XX	:±0.2	X,XX		CHKD ALLEN SCALE:4:1 UNIT: mm
		APVD	boye	SIZE: A3 SHEET:1 OF 1 REV:B
CUSTOMER COPY				



Singatron Enterprise Co., Ltd.  
信登企業股份有限公司