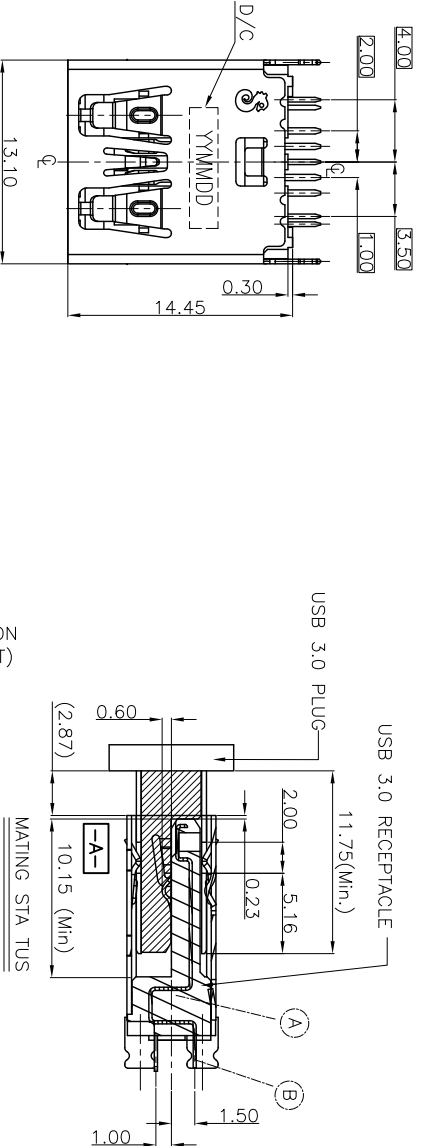
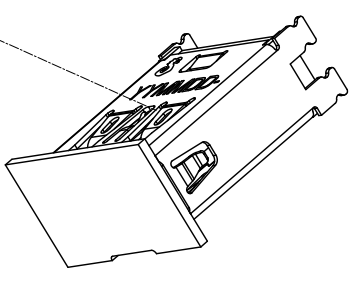
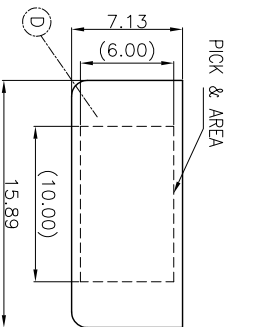
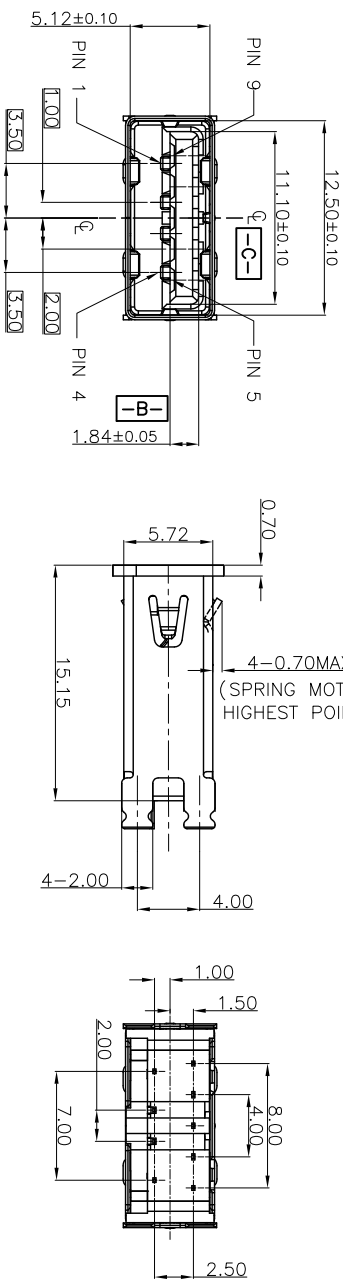


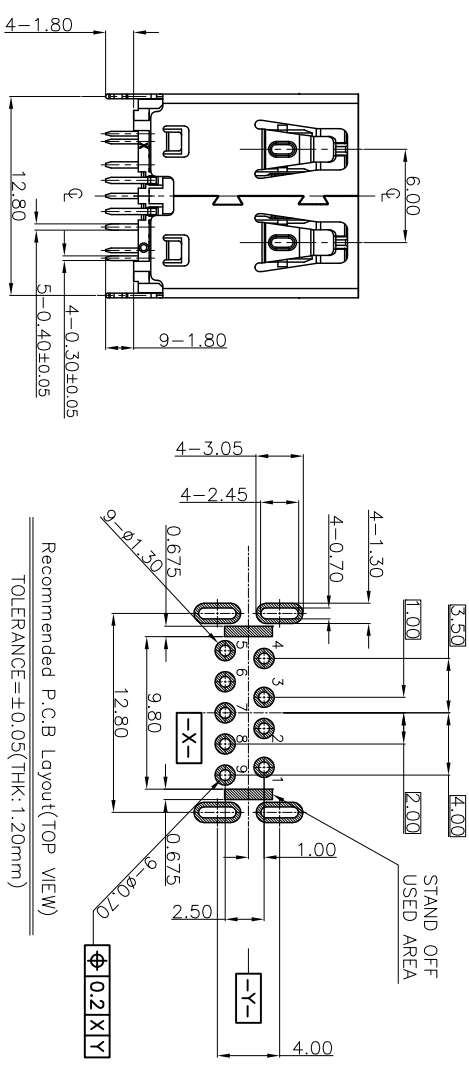
Pin Number	1	2	3	4	5	6	7	8	9
Signal ASSIGNMENT	VBUS	D-	D+	GND	Stda_SSRX-	Stda_SSRX+	GND_DRAIN	Stda_SSTX-	Stda_SSTX+



- USB 3.0 PLUG
- USB 3.0 RECEPTACLE
- MATING STAPTUS
- SPECIFICATIONS:
- ELECTRICAL CHARACTERISTICS:
    - CURRENT RATING: 1.8A (PIN1,4); OTHER CONTACTS 0.25A.
    - CONTACT RESISTANCE: 30mΩ Max.
    - DIELECTRIC WITHSTANDING VOLTAGE: 100V AC FOR 1 MINUTE.
    - INSULATION RESISTANCE: 100MΩ Min.
  - MECHANICAL CHARACTERISTICS:
    - INSERTION FORCE: 3.5kgf Max.
    - WITHDRAWAL FORCE: 1.0kgf~2.5kgf Min. (INITIAL), 0.8kgf~2.5kgf (AFTER TEST).
    - DURABILITY: 5,000 CYCLES.
    - TO CONFORM TO SINGATRON HAZARDOUS SUBSTANCE FREE SPEC.
    - HALOGEN FREE IDENTIFICATION MARK ON JACK.Ⓢ
    - HALOGEN FREE IDENTIFICATION LABEL ON PACKAGING.
    - FOR REFLOW SOLDERING LEAD-FREE PROCESS.
    - DATE: YYMMDD.
    - PACKAGING: TAPE & REEL.



3D VIEW



Recommended P.C.B Layout(TOP VIEW)

TOLERANCE=±0.05(THK:1.20mm)

D	CAP	1	HIGH TEMP.THERMOPLASTIC	BLACK
C	SHELL	1	STAINLESS STEEL,T=0.30	60μm Min. Solderable Nickel platin
B	9 PIN TERMINAL	1	COPPER ALLOY, T=0.20	120μm Min. Matte Tin Plating on solder (all area) and 60μm Min. Nickel under Plating
A	BODY	1	HIGH TEMP.THERMOPLASTIC	BLUE(300C)
NO DESCRIPTION		QTY	MATERIAL	PLATING & COLOR
UNLESS OTHERWISE SPECIFIED TOLERANCES				
DECIMALS:		ANGLES:	TITLE	
X	:±0.5	X	:±2°	USB 3.1 VERTICAL TYPE
X.X	:±0.3	X.X	:±1°	HAOLIAN PART NO:2UB3M12-005201F
X.XX	:±0.2			CHKD ALLEN SCALE:4:1 UNIT: mm
				APVD boye SIZE: A3 SHEET: 1 OF 1 REV:B
CUSTOMER COPY				

Singatron Enterprise Co., Ltd.  
信亨企業股份有限公司