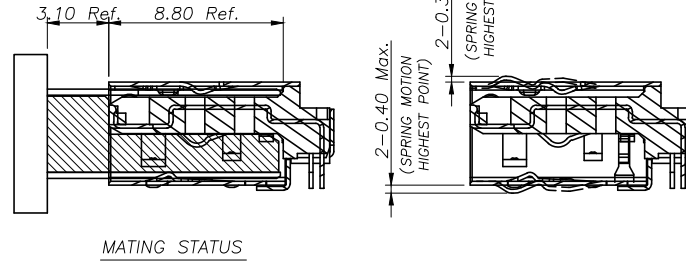
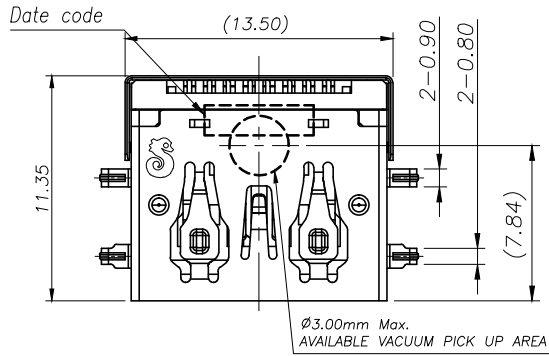


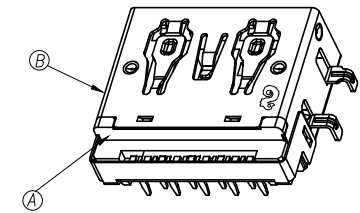
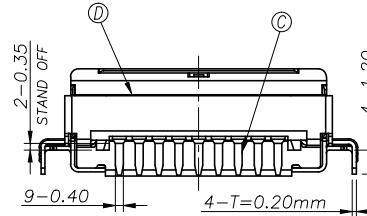
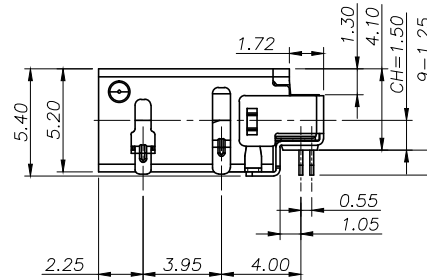
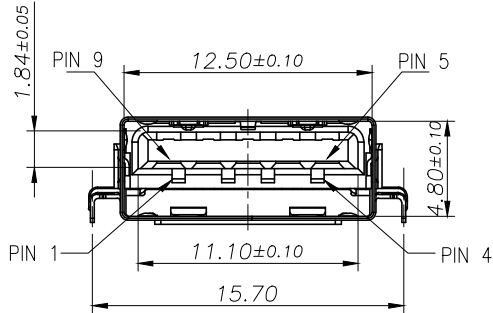
Pin Number	PIN 1	PIN 2	PIN 3	PIN 4	PIN 5	PIN 6	PIN 7	PIN 8	PIN 9
Signal ASSIGNMENT	VBUS	D-	D+	GND	StdA_SSRX-	StdA_SSRX+	GND_DRAIN	StdA_SSTX-	StdA_SSTX+

REV.	ECN NO OR DESCRIPTION	REVISED	DATE
A	PDR NO.T220304-1A	BING	2023.02.27

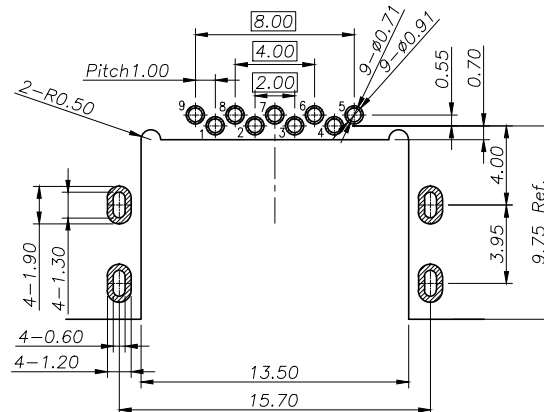
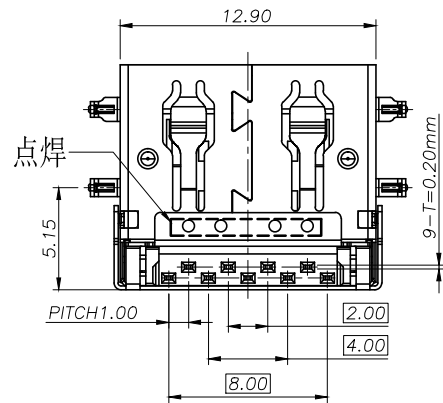


SPECIFICATIONS:

- ELECTRICAL CHARACTERISTICS:
 - CURRENT RATING: 2.00A (PIN1,4) ; OTHER CONTACTS 0.25A
 - CONTACT RESISTANCE: 30mΩ Max.
 - DIELECTRIC WITHSTANDING VOLTAGE: 100V AC FOR 1 MINUTE
 - INSULATION RESISTANCE: 100MΩ Min.
- MECHANICAL CHARACTERISTICS:
 - INSERTION FORCE :3.57Kgf Max. INITIAL, 0.80Kgf~2.5Kgf AFTER TEST.
 - WITHDRAWAL FORCE : 1.02Kgf~2.5Kgf
- DURABILITY: 5,000 CYCLES.
- TO CONFORM TO SINGATRON HAZARDOUS SUBSTANCE FREE SPEC.
- HALOGEN FREE IDENTIFICATION MARK ON JACK: Ⓢ
- HALOGEN FREE IDENTIFICATION LABEL ON PACKAGING: Ⓢ
- FOR REFLOW SOLERING LEAD-FREE PROCESS.
- DATE : YYMMDD or YMD.
- PACKAGING : TAPE & REEL.



3D VIEW



Recommended P.C.B Layout
(TOP VIEW) TOLERANCE=±0.05

NO	DESCRIPTION	QTY	MATERIAL	PLATING & COLOR
D	SHELL COVER	1	STAINLESS STEEL T=0.20mm	60uin Min. BLACK NICKEL
C	9PIN TERMINAL	9	COPPER ALLOY T=0.2mm	1~3uin Au PLATING ON CONTACT AREA; 40uin Min. Matte. Sn PLATING ON SOLDERING AREA; ALL OVER 60uin NICKEL PLATING;
B	SHELL	1	STAINLESS STEEL T=0.20mm	60uin Min. NICKEL
A	HOUSING	1	HIGH THERMOPLASTIC UL94V-0	BLACK

UNLESS OTHERWISE SPECIFIED TOLERANCES		Singatron Enterprise Co., Ltd. 信音企業股份有限公司	
DECIMALS:	ANGLES:	TITLE	
X :±0.5	X :±2°	DWN	BING
X.X :±0.3	X.X :±1°	CHKD	ALLEN
X.XX :±0.2		APVD	Boye
		SCALE	4:1
		UNIT	mm
		SIZE	A3
		SHEET	1 OF 1
		REV	A
CUSTOMER COPY			