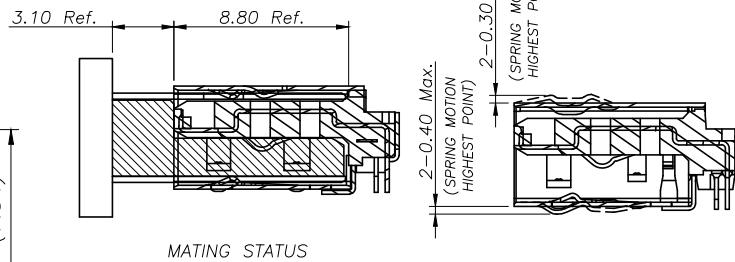
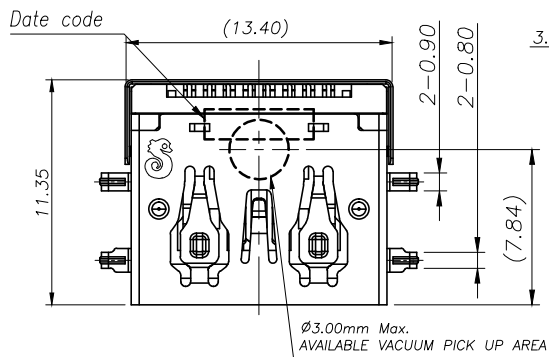


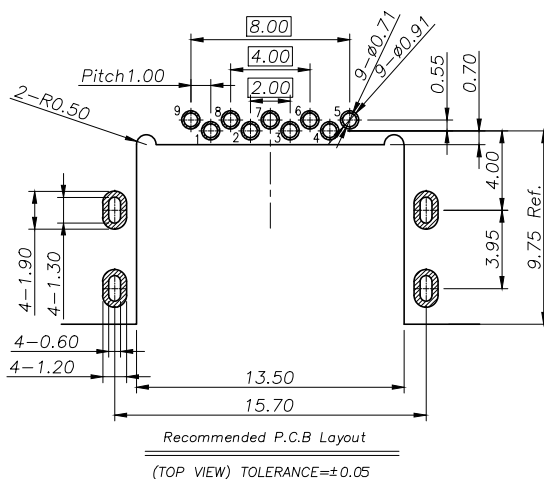
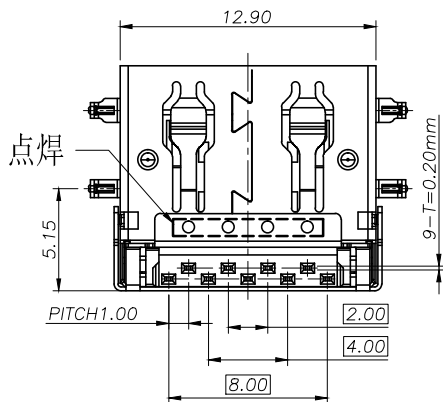
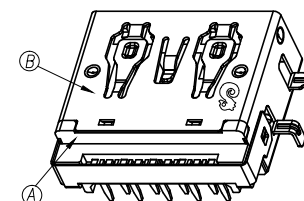
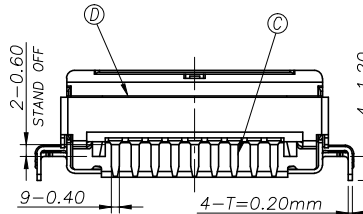
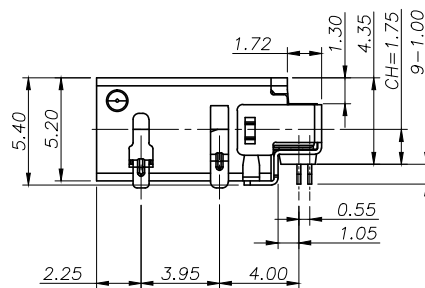
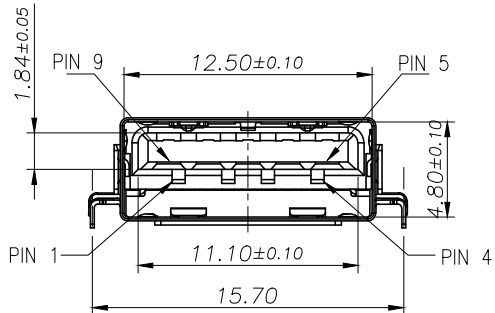
Pin Number	PIN 1	PIN 2	PIN 3	PIN 4	PIN 5	PIN 6	PIN 7	PIN 8	PIN 9
Signal ASSIGNMENT	VBUS	D-	D+	GND	StdA_SSRX-	StdA_SSRX+	GND_DRAIN	StdA_SSTX-	StdA_SSTX+

REV.	ECN NO OR DESCRIPTION	REVISED	DATE
A	PDR NO.T220517-5A	BING	2023.02.06



SPECIFICATIONS:

- ELECTRICAL CHARACTERISTICS:
  - CURRENT RATING: 2.00A (PIN1,4) ; OTHER CONTACTS 0.25A
  - CONTACT RESISTANCE: 30mΩ Max.
  - DIELECTRIC WITHSTANDING VOLTAGE: 100V AC FOR 1 MINUTE
  - INSULATION RESISTANCE: 100MΩ Min.
- MECHANICAL CHARACTERISTICS:
  - INSERTION FORCE : 3.57Kgf Max. INITIAL,0.80~2.50Kgf (AFTER TEST)
  - WITHDRAWAL FORCE : 1.02Kgf~2.50Kgf
- DURABILITY: 5,000 CYCLES.
- TO CONFORM TO SINGATRON HAZARDOUS SUBSTANCE FREE SPEC.
- HALOGEN FREE IDENTIFICATION MARK ON JACK: Ⓢ
- HALOGEN FREE IDENTIFICATION LABEL ON PACKAGING: Ⓢ
- FOR REFLOW SOLERING LEAD-FREE PROCESS.
- DATE : YYMMDD or YMD.
- PACKAGING : TAPE & REEL.



NO	DESCRIPTION	QTY	MATERIAL	PLATING & COLOR
D	SHELL COVER	1	STAINLESS STEEL T=0.20mm	60uin BLACK NI
C	9PIN TERMINAL	9	COPPER ALLOY T=0.2mm	6/ F PLATING ON CONTACT AREA; 40uin Min. Matte. Sn PLATING ON SOLDERING AREA; ALL OVER 60uin NICKEL PLATING;
B	SHELL	1	STAINLESS STEEL T=0.20mm	60uin NICKEL Min.
A	HOUSING	1	HIGH THERMOPLASTIC UL94V-0	BLACK

UNLESS OTHERWISE SPECIFIED TOLERANCES

Singatron Enterprise Co., Ltd.  
信音企業股份有限公司

DECIMALS:	ANGLES:	TITLE	USB 3.0 REVERSE CONNECTOR	
X :±0.5	X :±2°	DWN	BING	PART NO.2UB3M13-002201F
X.X :±0.3	X.X :±1°	CHKD	ALLEN	SCALE 4:1 UNIT: mm
X.XX :±0.2		APVD	Boye	SIZE: A3 SHEET:1 OF 1 REV:A

CUSTOMER COPY