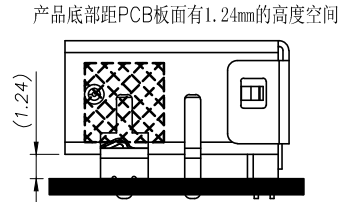
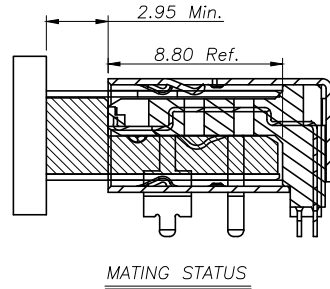
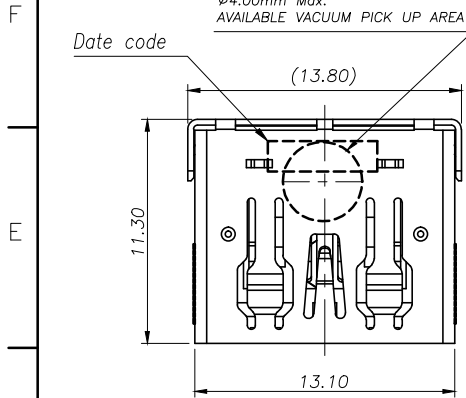


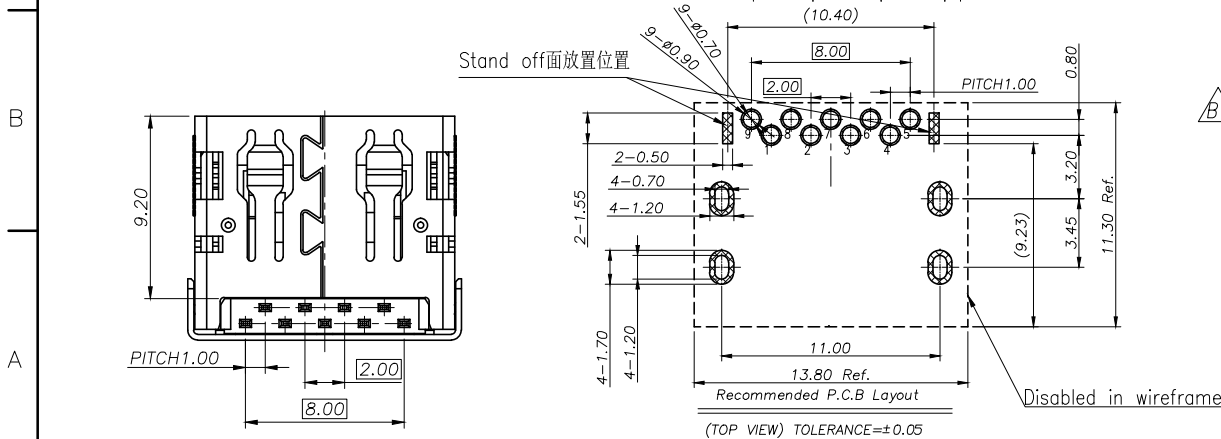
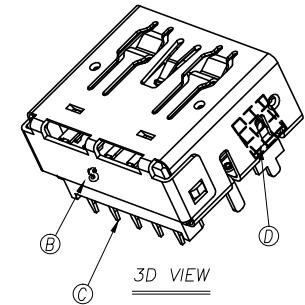
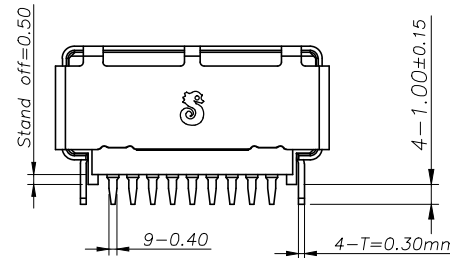
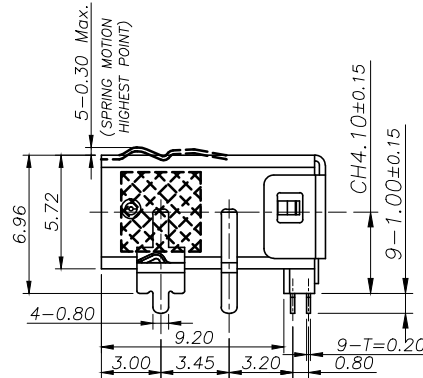
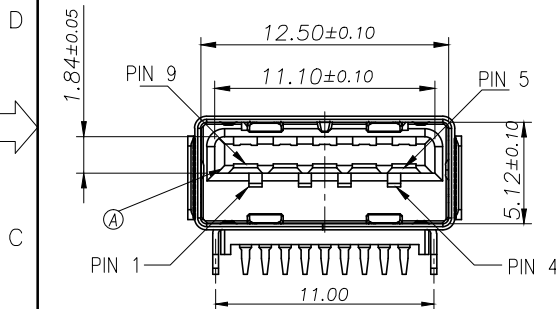
| | | | | | | | | | |
|-------------------|-------|-------|-------|-------|------------|------------|-----------|------------|------------|
| Pin Number | PIN 1 | PIN 2 | PIN 3 | PIN 4 | PIN 5 | PIN 6 | PIN 7 | PIN 8 | PIN 9 |
| Signal ASSIGNMENT | VBUS | D- | D+ | GND | StdA_SSRX- | StdA_SSRX+ | GND_DRAIN | StdA_SSTX- | StdA_SSTX+ |

| | | | |
|------|-----------------------|---------|------------|
| REV. | ECN NO OR DESCRIPTION | REVISED | DATE |
| A | PDR NO.T220211-2A | BING | 2022.11.15 |
| B | ECN NO.S202302-C02 | BING | 2023.04.06 |



SPECIFICATIONS:

- ELECTRICAL CHARACTERISTICS:**
 - CURRENT RATING: 1.80A (PIN1,4) ; OTHER CONTACTS 0.25A
 - CONTACT RESISTANCE: 30mΩ Max.
 - DIELECTRIC WITHSTANDING VOLTAGE: 100V AC FOR 1 MINUTE
 - INSULATION RESISTANCE: 100MΩ Min.
- MECHANICAL CHARACTERISTICS:**
 - INSERTION FORCE: 1.02~2.25Kgf (INITIAL), 0.80~2.25Kgf (AFTER TEST)
 - WITHDRAWAL FORCE: 1.02~2.72Kgf (INITIAL), 0.80~2.72Kgf (AFTER TEST)
- DURABILITY: 5,000 CYCLES.
- TO CONFORM TO SINGATRON HAZARDOUS SUBSTANCE FREE SPEC.
- HALOGEN FREE IDENTIFICATION MARK ON JACK: Ⓢ
- HALOGEN FREE IDENTIFICATION LABEL ON PACKAGING: Ⓢ
- DATE : YYMMDD or YMD.
- PACKAGING : TAPE & REEL.



| | | | | |
|---------------------------------------|---------------|------------------------------------|--------------------------|--|
| D | MYLAR | 2 | 4mm*4mm*0.06mm | YELLOW |
| C | 9PIN TERMINAL | 9 | COPPER ALLOY T=0.2mm | Tu Au Min. PLATING ON CONTACT AREA; 60uin Min. Matte. Sn PLATING ON SOLDERING AREA; ALL OVER 60uin NICKEL PLATING; |
| B | SHELL | 1 | STAINLESS STEEL T=0.30mm | 60uin NICKEL Min. |
| A | HOUSING | 1 | PA10T UL94 V-0 | BLACK |
| NO | DESCRIPTION | QTY | MATERIAL | PLATING & COLOR |
| UNLESS OTHERWISE SPECIFIED TOLERANCES | | Singatron Enterprise Co., Ltd. | | |
| DECIMALS: | | TITLE | | |
| X | :±0.5 | X | :±2° | USB 3.0 STANDARD CONNECTOR |
| X.X | :±0.3 | X.X | :±1° | DWN BING PART NO.2UB3M14-000201F |
| X.XX | :±0.2 | CHKD | ALLEN | SCALE 4:1 UNIT: mm |
| | | APVD | Boye | SIZE: A3 SHEET:1 OF 1 REV:B |
| CUSTOMER COPY | | | | |