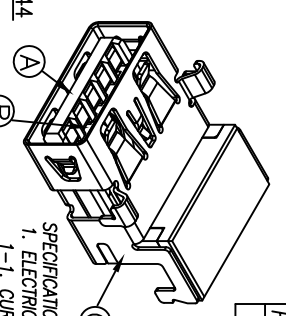
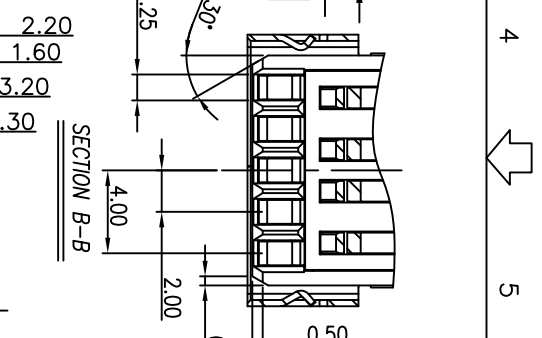
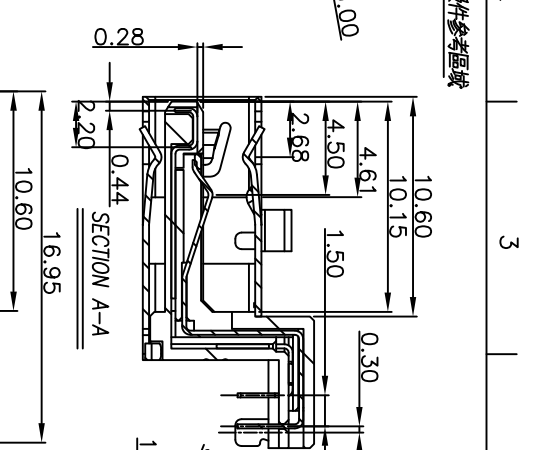
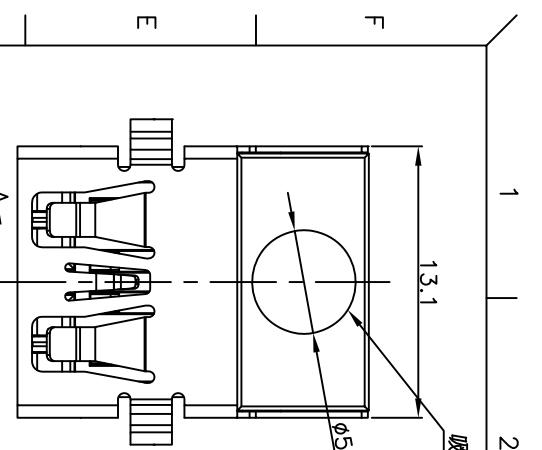


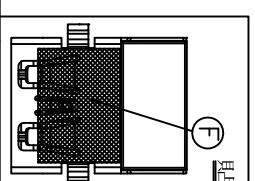
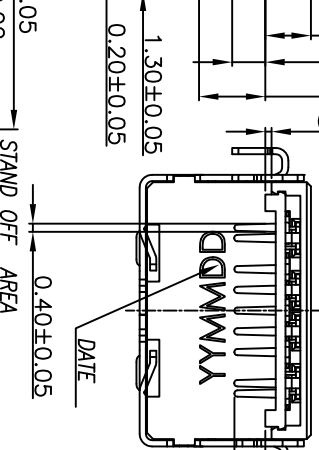
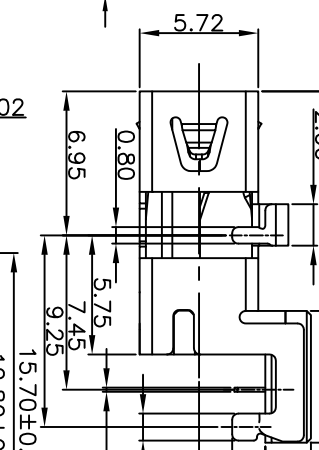
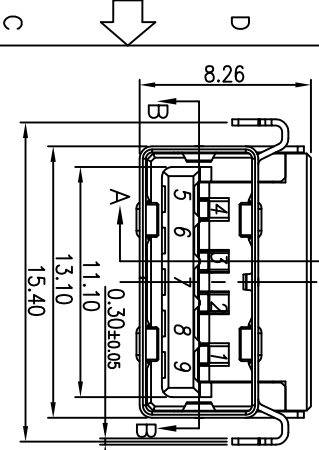
附件參考區域



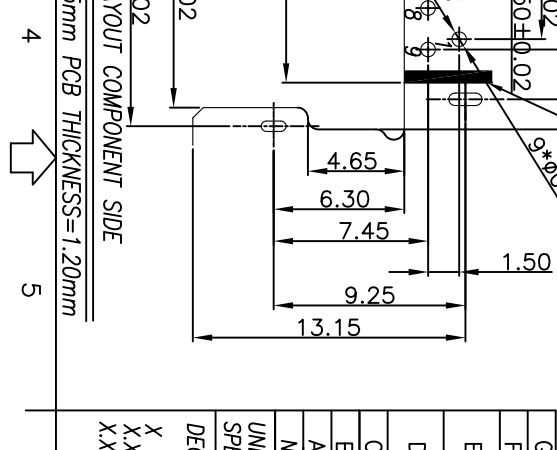
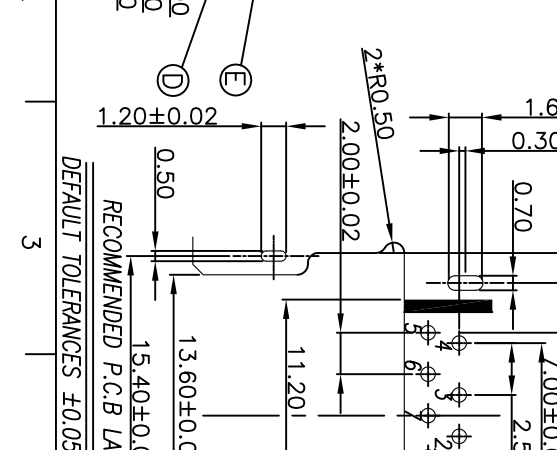
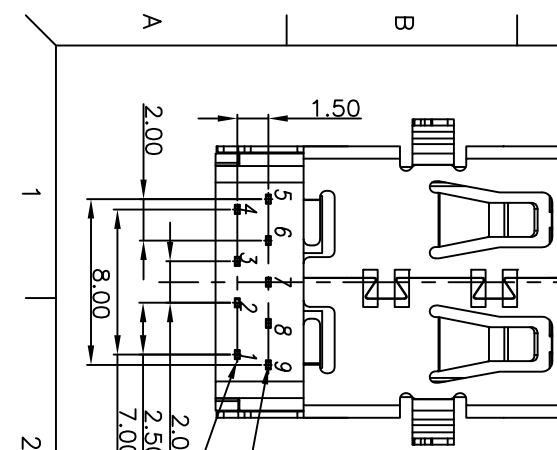
3D VIEW

SPECIFICATIONS:

1. ELECTRICAL CHARACTERISTICS:
 - 1-1. CURRENT RATING: 1.8A (PIN 4) ; OTHER CONTACTS 0.25A
 - 1-2. CONTACT RESISTANCE: 30mΩ MAX.
 - 1-3. DIELECTRIC WITHSTANDING VOLTAGE: 100V AC FOR 1 MINUTE
 - 1-4. INSULATION RESISTANCE: 100MΩ MIN
2. MECHANICAL CHARACTERISTICS:
 - 2-1. INSERTION FORCE : 35N/3.5kgf MAX.
 - 2-2. WITHDRAWAL FORCE : 10N/1.0kgf MIN. (INITIAL)
8N/0.8kgf MIN. (AFTER TEST)
3. DURABILITY: 5,000 CYCLES.
4. TO CONFORM TO SINGAPOUR HAZARDOUS SUBSTANCE FREE SPEC.
5. HALOGEN PRODUCT IDENTIFICATION LABEL ON PACKAGING:
6. FOR REFLOW SOLDERING LEAD-FREE PROCESS.
7. DATE : YYMMDD
8. PACKAGING : TAPE & REEL.



Pin Number	Signal ASSIGNMENT
PIN 1	VBUS
PIN 2	D-
PIN 3	D+
PIN 4	GND
PIN 5	SDDA_SSRX-
PIN 6	SDDA_SSRX+
PIN 7	GND_DRAIN
PIN 8	SDDA_SSTX-
PIN 9	SDDA_SSTX+



ITEM	DESCRIPTION	QTY	MATERIAL	PLATING & COLOR
G	MyIar	2	KAPTON 5.0x8.0	YELLOW
F	MyIar	1	KAPTON 11.0x8.0	YELLOW
E	TERMINAL	5	BRASS	
D	TERMINAL	4	PHOSPHOR BRONZE	GOLD 5μ" ON WATTING AREA 100μ"MIN WASTE TIN PLATED ON SOLDERING 50μ" NICKEL UNDER PLATING OVERALL
C	SHELL	1	STAINLESS STEEL	NICKEL 60μ"MIN
B	BASE	1	HIGH THERMOPLASTIC	BLUE(300C)
A	HOUSING	1		BLUE(300C)
NO	DESCRIPTION			PLATING & COLOR

UNLESS OTHERWISE SPECIFIED TOLERANCES

DECIMALS: ANGLES:

X :±0.5 X :±2
X.X :±0.3 X.X.X :±1°
X.XX :±0.2

RECOMMENDED P.C.B LAYOUT COMPONENT SIDE
DEFAULT TOLERANCES ±0.05mm PCB THICKNESS=1.20mm

Singatron Enterprise Co., Ltd.
信亨企業股份有限公司

TITLE: USB 3.0, REVERSE, SINKING 3.20
DWG: Solder
CHKD: James
APVD: Quan

PART NO. 2UB3Y00-004101P
SCALE 4:1 UNIT: mm
SIZE: A3 SHEET: 1 OF 1 REV: A

CUSTOMER COPY