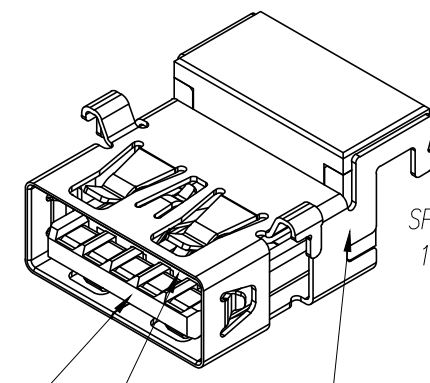


REV.	ECN NO OR DESCRIPTION	REVISED	DATE
A	PDR NO:T120529-1A	WINNIE	2012.11.01
B	ECN NO:S130573/S130735	YUREN	2013.12.03

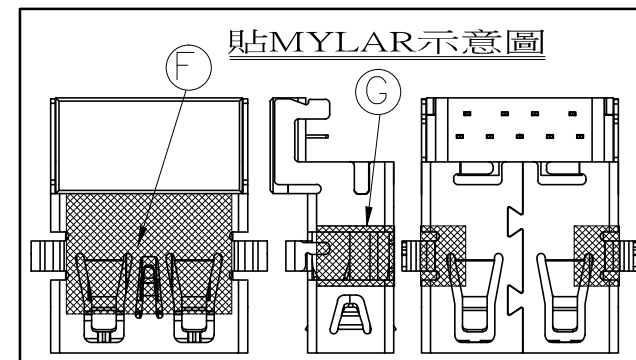
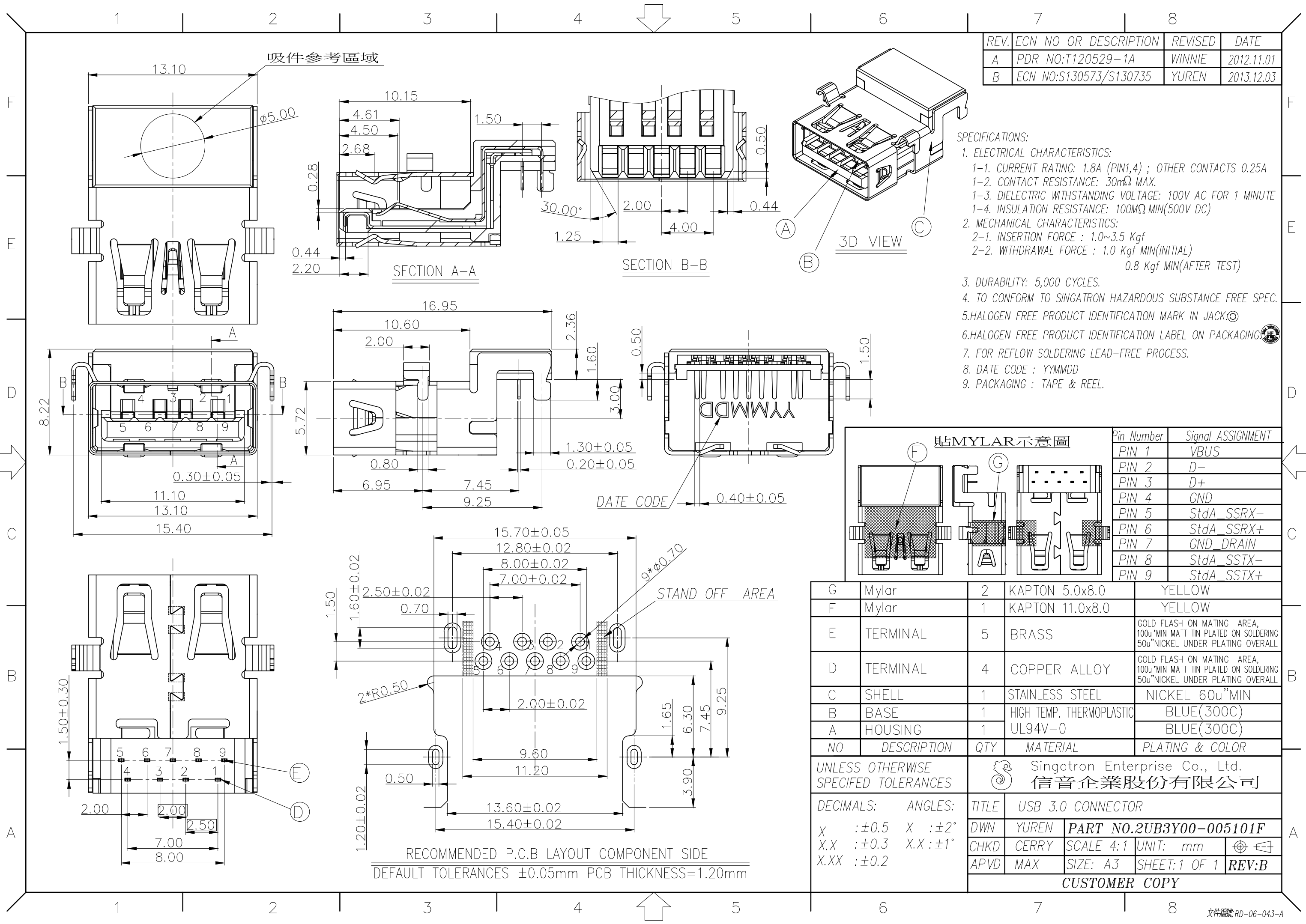
SPECIFICATIONS:

- ELECTRICAL CHARACTERISTICS:
 - CURRENT RATING: 1.8A (PIN1,4) ; OTHER CONTACTS 0.25A
 - CONTACT RESISTANCE: 30mΩ MAX.
 - DIELECTRIC WITHSTANDING VOLTAGE: 100V AC FOR 1 MINUTE
 - INSULATION RESISTANCE: 100MΩ MIN(500V DC)
- MECHANICAL CHARACTERISTICS:
 - INSERTION FORCE : 1.0~3.5 Kgf
 - WITHDRAWAL FORCE : 1.0 Kgf MIN(INITIAL)
0.8 Kgf MIN(AFTER TEST)
- DURABILITY: 5,000 CYCLES.
- TO CONFORM TO SINGATRON HAZARDOUS SUBSTANCE FREE SPEC.
- HALOGEN FREE PRODUCT IDENTIFICATION MARK IN JACK:Ⓢ
- HALOGEN FREE PRODUCT IDENTIFICATION LABEL ON PACKAGING:Ⓢ
- FOR REFLOW SOLDERING LEAD-FREE PROCESS.
- DATE CODE : YYMMDD
- PACKAGING : TAPE & REEL.



3D VIEW

吸件參考區域



Pin Number	Signal ASSIGNMENT
PIN 1	VBUS
PIN 2	D-
PIN 3	D+
PIN 4	GND
PIN 5	StdA_SSRX-
PIN 6	StdA_SSRX+
PIN 7	GND_DRAIN
PIN 8	StdA_SSTX-
PIN 9	StdA_SSTX+

NO	DESCRIPTION	QTY	MATERIAL	PLATING & COLOR
G	Mylar	2	KAPTON 5.0x8.0	YELLOW
F	Mylar	1	KAPTON 11.0x8.0	YELLOW
E	TERMINAL	5	BRASS	GOLD FLASH ON MATING AREA, 100u"MIN MATT TIN PLATED ON SOLDERING 50u"NICKEL UNDER PLATING OVERALL
D	TERMINAL	4	COPPER ALLOY	GOLD FLASH ON MATING AREA, 100u"MIN MATT TIN PLATED ON SOLDERING 50u"NICKEL UNDER PLATING OVERALL
C	SHELL	1	STAINLESS STEEL	NICKEL 60u"MIN
B	BASE	1	HIGH TEMP. THERMOPLASTIC	BLUE(300C)
A	HOUSING	1	UL94V-0	BLUE(300C)

UNLESS OTHERWISE SPECIFIED TOLERANCES		Singatron Enterprise Co., Ltd. 信音企業股份有限公司		
DECIMALS:	ANGLES:	TITLE	USB 3.0 CONNECTOR	
X : ±0.5	X : ±2°	DWN	YUREN	PART NO.2UB3Y00-005101F
X.X : ±0.3	X.X : ±1°	CHKD	CERRY	SCALE 4:1 UNIT: mm
X.XX : ±0.2		APVD	MAX	SIZE: A3 SHEET: 1 OF 1 REV:B
CUSTOMER COPY				

RECOMMENDED P.C.B LAYOUT COMPONENT SIDE
DEFAULT TOLERANCES ±0.05mm PCB THICKNESS=1.20mm