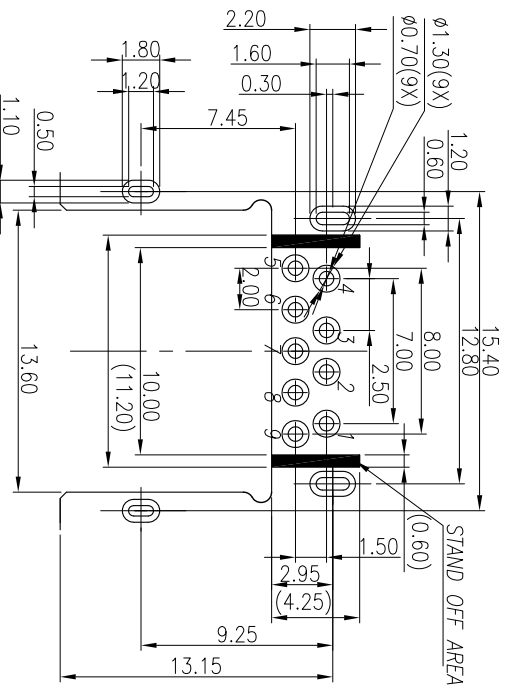
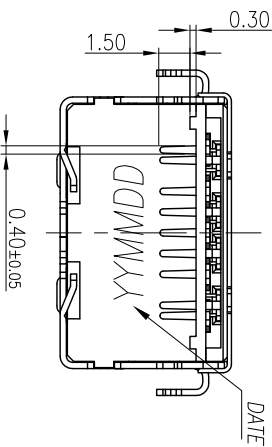
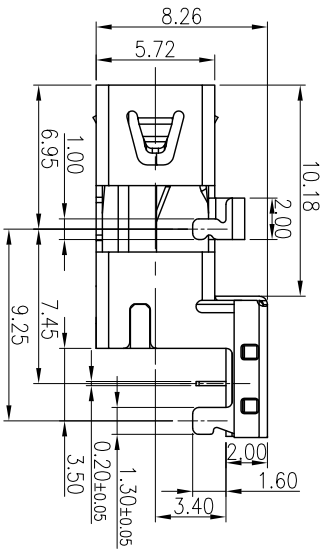
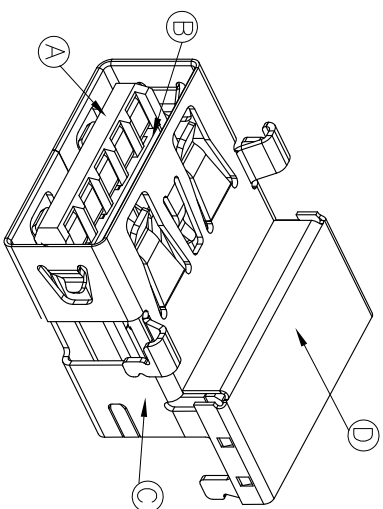


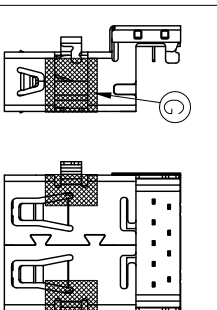
- SPECIFICATIONS:
1. ELECTRICAL CHARACTERISTICS:
- 1-1. CURRENT RATING: 1.8A (PIN1,4) ; OTHER CONTACTS 0.25A
 - 1-2. CONTACT RESISTANCE: 30mΩ MAX.
 - 1-3. DIELECTRIC WITHSTANDING VOLTAGE: 100V AC FOR 1 MINUTE
 - 1-4. INSULATION RESISTANCE: 100MΩ MIN
2. MECHANICAL CHARACTERISTICS:
- 2-1. INSERTION FORCE : 35N/3.5kgf MAX.
 - 2-2. WITHDRAWAL FORCE : 10N/1.0kgf MIN. (INITIAL)
- 3. DURABILITY: 5,000 CYCLES.
 - 4. OTHER GENERAL SPEC. TO REFER "2UB3Y00-010101F SPEC".
 - 5. TO CONFORM TO SINGATRON HAZARDOUS SUBSTANCE FREE SPECIFICATION
 - 6. HALOGEN FREE PRODUCT IDENTIFICATION LOGO ON PACKAGING:
 - 7. FOR REFLOW SOLDERING LEAD-FREE PROCESS.
 - 8. DATE : YYMMDD
 - 9. PACKAGING : TAPE & REEL.



RECOMMENDED PC BOARD LAYOUT (TOP VIEW)
(TOL.±0.05) PCB THICKNESS=1.20mm



3D VIEW



融料/LAR示意图

| Pin Number | Signal ASSIGNMENT |
|------------|-------------------|
| PIN 1 | VBUS |
| PIN 2 | D- |
| PIN 3 | D+ |
| PIN 4 | GND |
| PIN 5 | SDA_SSRX- |
| PIN 6 | SDA_SSRX+ |
| PIN 7 | GND_DRAIN |
| PIN 8 | SDA_SSTX- |
| PIN 9 | SDA_SSTX+ |

| | | | | |
|----|-------------|-----|--------------------|--|
| G | Mylar | 2 | KAPTON 5.0x8.0 | YELLOW |
| F | TERMINAL | 5 | BRASS | 4U 5u ON CONTACT AREA MATE TIN 100u MIN ON SOLDERING MATERIAL OVER NICKEL 50u MIN. |
| E | TERMINAL | 4 | PHOSPHOR BRONZE | |
| D | SHELL COVER | 1 | STAINLESS STEEL | NICKEL 60u MIN |
| C | SHELL | 1 | STAINLESS STEEL | BLACK NICKEL 60u MIN |
| B | BASE | 1 | HIGH THERMOPLASTIC | |
| A | HOUSING | 1 | UL94V-0, HF | BLACK |
| NO | DESCRIPTION | QTY | MATERIAL | PLATING & COLOR |

UNLESS OTHERWISE SPECIFIED TOLERANCES

Singatron Enterprise Co., Ltd.
信登企業股份有限公司

| DECIMALS: | ANGLES: |
|-----------|----------|
| X :±0.5 | X :±2° |
| XX :±0.3 | X.X :±1° |
| XXX :±0.2 | |

CUSTOMER COPY

| REV. | ECN NO. OR DESCRIPTION | REVISED | DATE |
|------|------------------------|---------|------------|
| A | PDR NO.TT30205-3A | YUREN | 2013.04.16 |