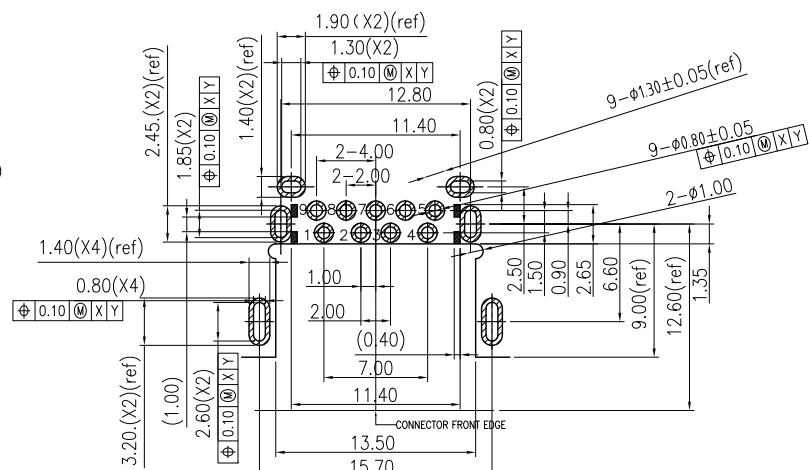
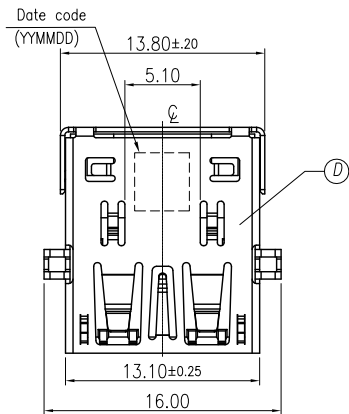


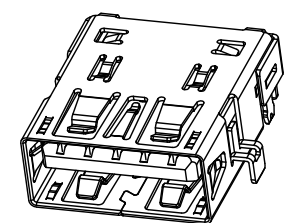
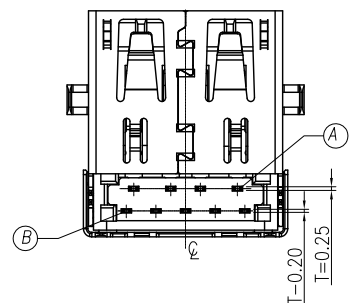
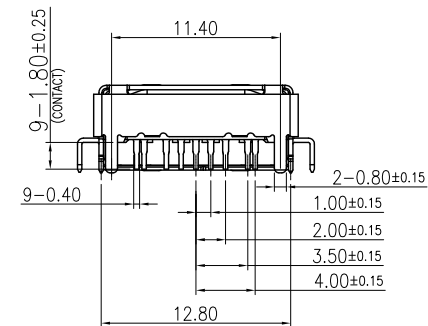
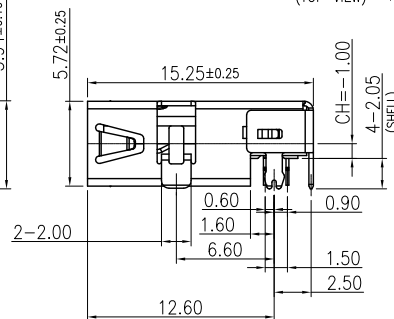
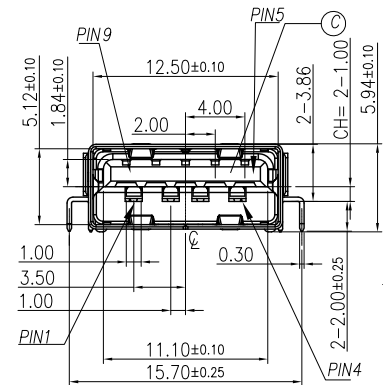
REV.	ECN NO OR DESCRIPTION	REVISED	DATE
A	PDR NO:T230406-2A	JIANGTAO	2023.10.09



Recommended P.C.B Layout
(TOP VIEW) TOLERANCE±0.05

SPECIFICATIONS:

- ELECTRICAL CHARACTERISTICS:
 - CURRENT RATING: 1.8A (PIN1,4) ; OTHER CONTACTS 0.25A
 - CONTACT RESISTANCE: 30mΩ MAX.
 - DIELECTRIC WITHSTANDING VOLTAGE: 100V AC FOR 1 MINUTE
 - INSULATION RESISTANCE: 100MΩ MIN .
- MECHANICAL CHARACTERISTICS:
 - INSERTION FORCE : 3.57 KgF MAX.
 - WITHDRAWAL FORCE : 3.5KgF MAX.
INITIAL : 1.02KgF.
TEST AFTER : 0.816KgF.
- DURABILITY: 5,000 CYCLES.
- TO CONFORM TO SINGATRON HAZARDOUS SUBSTANCE FREE SPEC.
- HALOGEN FREE PRODUCT IDENTIFICATION MARK ON JACK:
- HALOGEN FREE PRODUCT IDENTIFICATION LABEL ON PACKAGING
- FOR IR REFLOW LEAD-FREE PROCESS.
- ENVIRONMENTAL: TEMPERATURE RANGE: -35°C~+85°C
- DATE : YYMMDD-
- PACKAGING : TAPE & REEL.



REMARK	Pin Number	Signal ASSIGNMENT
USB2.0 CONTACT PIN	PIN 1	VBUS
	PIN 2	D-
	PIN 3	D+
	PIN 4	GND
USB3.0 CONTACT PIN	PIN 5	StdA_SSRX-
	PIN 6	StdA_SSRX+
	PIN 7	GND_DRAIN
	PIN 8	StdA_SSTX-
	PIN 9	StdA_SSTX+

D	Shell	1	SUS301 T=0.3mm	Ni 50u" min over all plating,
C	Insulator	1	LCP +30%,G.F	UL 94V-0,BLUE
B	Contacts	5	C2680 T=0.20mm	15u"AU min plated on contact area, Sn 80u" min Plating ON Solder,
A	Contacts	4	C5191 T=0.25mm	Over all 30u" min Under Plating
NO	DESCRIPTION	QTY	MATERIAL	PLATING & COLOR

UNLESS OTHERWISE SPECIFIED TOLERANCES		Singatron Enterprise Co., Ltd. 		
DECIMALS:	ANGLES:	TITLE	USB A 3.0 reverse B/A DIP stainless stell nickel	
X : ±0.5	X : ±2°	DWN	JIANGTAO	PART NO. 2UB3Y01-004111F
X.X : ±0.3	X.X : ±1°	CHKD	ALLEN	SCALE 1:1 UNIT: mm
X.XX : ±0.2		APVD	BOYE	SIZE: A3 SHEET: 10F1 REV: A
CUSTOMER COPY				