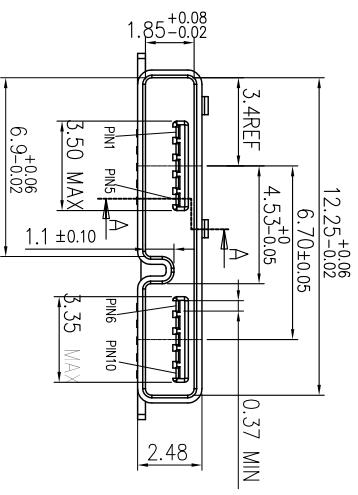
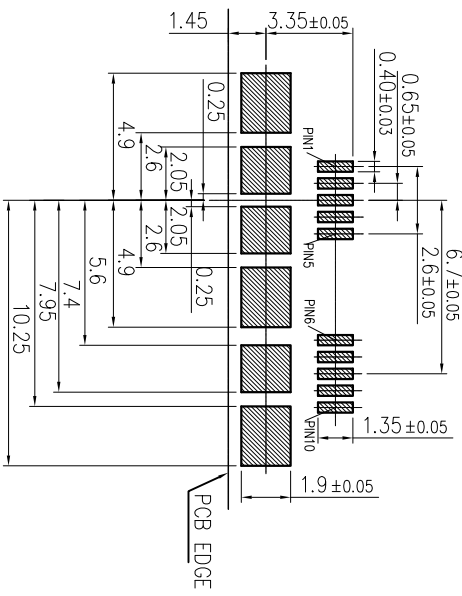
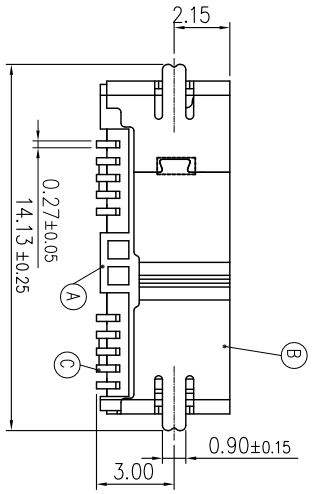
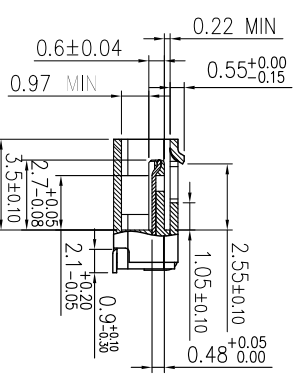


3D VIEW



SECTION A-A



RECOMMENDED P.C.B LAYOUT (TOP VIEW)
THICKNESS=0.8±0.10mm, TOLERANCE=±0.05mm

- SPECIFICATIONS:
- ELECTRICAL CHARACTERISTICS:
 - CURRENT RATING: 1.8A(PIN 1&PIN 5)-OTHER CONTACTS 0.25A.
 - CONTACT RESISTANCE: 50mohm MAX (INITIAL).
 - DIELECTRIC WITHSTANDING VOLTAGE: 100V AC FOR ONE MINUTE
 - INSULATION RESISTANCE: 100Mohm MIN. MEASURED BY 500V DC
 - MECHANICAL CHARACTERISTICS:
 - INSERTION FORCE : 8N MAX.
 - WITHDRAWAL FORCE : 8N MIN.
 - DURABILITY: 10,000 CYCLES.
 - OTHER GENERAL SPEC. TO REFER "2UB3Y02-002011F SPEC".
 - TO CONFORM TO SINGATRON HAZARDOUS SUBSTANCE FREE SPEC.
 - HALOGEN FREE PRODUCT IDENTIFICATION LABEL ON PACKAGING.
 - FOR REFLOW SOLDERING LEAD-FREE PROCESS.

Micro-AB USB3.0 Connector Pin Assignments

PIN NUMBER	SIGNAL NAME	DESCRIPTION
1	VBUS	POWER
2	D-	USB2.0 DIFFERENTIAL PAIR
3	D+	OTG IDENTIFICATION
4	ID	GROUND FOR POWER RETURN
5	GND	SUPERSPEED TRANSMITTER DIFFERENTIAL PAIR
6	MicroB_SSTX-	GROUND FOR SUPERSPEED SIGNAL RETURN
7	MicroB_SSTX+	DIFFERENTIAL PAIR
8	GND_DRAIN	GROUND FOR SUPERSPEED SIGNAL RETURN
9	MicroB_SSRX-	SUPERSPEED RECEIVER DIFFERENTIAL PAIR
10	MicroB_SSRX+	DIFFERENTIAL PAIR
	SHELL	CONNECTOR METAL SHELL

NO	DESCRIPTION	QTY	MATERIAL	PLATING & COLOR
C	TERMINAL	10	COPPER ALLOY	SOLD 5u" ON CONTACT AREA, WHITE TIN 50u" MIN ON SOLDER TAIL AREA, ALL OVER NICKEL 50u" MIN.
B	SHELL	1	STAINLESS STEEL F=0.3mm	NICKEL 50U" MIN.
A	BODY	1	HIGH TEMP PLASTIC	U94V-0, BLACK

UNLESS OTHERWISE SPECIFIED TOLERANCES

Singatron Enterprise Co., Ltd.
信亨企業股份有限公司

DECIMALS:	ANGLES:	TITLE	PART NO.	UNIT:	REV:
X : ±0.5	X : ±2°	MICRO USB3.0 AB TYPE(SMT Type)	2UB3Y02-002011F	mm	A
X.X : ±0.3	X.X : ±1°				
X.XX : ±0.2					

CUSTOMER COPY

