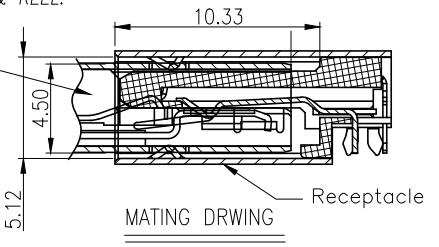
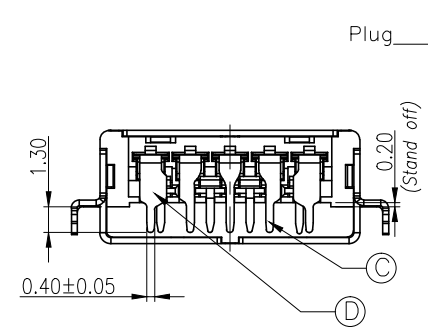
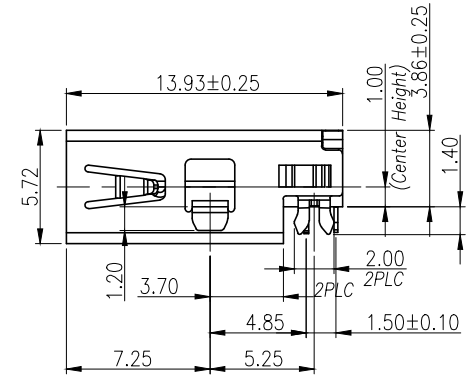
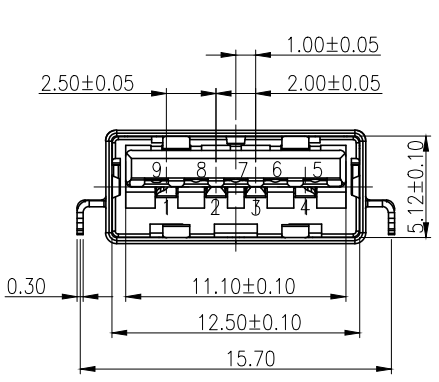


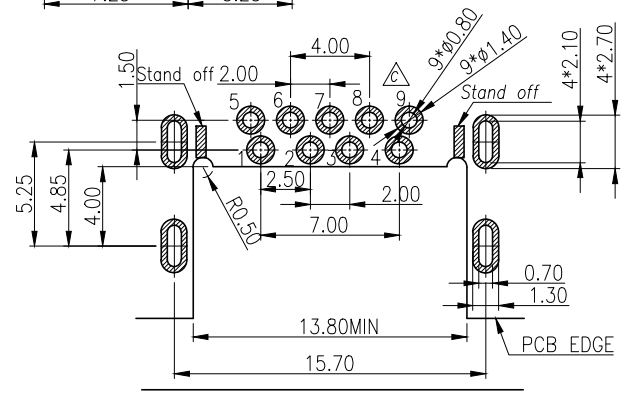
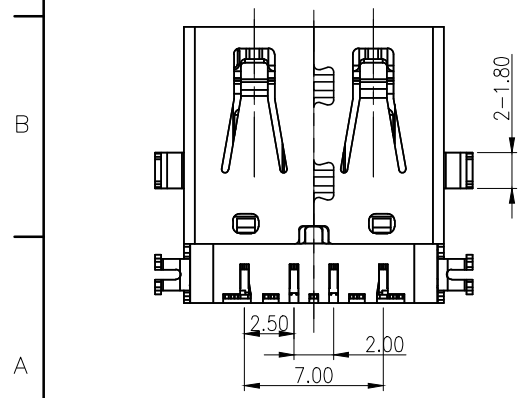
REV.	ECN NO OR DESCRIPTION	REVISED	DATE
A	PDR NO.S141225-9A	Charles	2015.05.19
B	ECN NO.S150742-0	YUREN	2015.09.14
C	ECN NO.S160502-C	YUREN	2016.7.24

SPECIFICATIONS:

- ELECTRICAL CHARACTERISTICS:**
 - CURRENT RATING: 1.8A (PIN1,4) ; OTHER CONTACTS 0.25A
 - CONTACT RESISTANCE: 30m MAX.
 - DIELECTRIC WITHSTANDING VOLTAGE: 100V AC FOR 1 MINUTE
 - INSULATION RESISTANCE: 100M MIN
- MECHANICAL CHARACTERISTICS:**
 - INSERTION FORCE : 1.0~4.5 Kgf
 - WITHDRAWAL FORCE : 1.0~4.5 Kgf
- DURABILITY:** 5,000 CYCLES.
- TO CONFORM TO SINGATRON HAZARDOUS SUBSTANCE FREE SPEC.**
- HALOGEN FREE PRODUCT IDENTIFICATION LABEL ON PACKAGING:**
- FOR REFLOW SOLDERING LEAD-FREE PROCESS.**
- DATE :** YYMMDD
- PACKAGING :** TAPE & REEL.



Pin Number	Signal ASSIGNMENT
PIN 1	VBUS
PIN 2	D-
PIN 3	D+
PIN 4	GND
PIN 5	StdA SSRX-
PIN 6	StdA SSRX+
PIN 7	GND DRAIN
PIN 8	StdA SSTX-
PIN 9	StdA SSTX+



RECOMMENDED PC. BOARD LAYOUT
 PCB THICKNESS=1.20mm
 (TOP VIEW)(TOL.±0.05)

NO	DESCRIPTION	QTY	MATERIAL	PLATING & COLOR
D	TERMINAL	5	BRASS	5µin Au ON MATING AREA, 100µ"MIN MATTE TIN PLATED ON SOLDERING 50µ"NICHEL UNDER PLATING OVERALL
C	TERMINAL	4	BRASS	5µin Au ON MATING AREA, 100µ"MIN MATTE TIN PLATED ON SOLDERING 50µ"NICHEL UNDER PLATING OVERALL
B	SHELL	1	STAINLESS STEEL	BLACK NICKEL 60µ"MIN
A	HOUSING	1	HIGH TEMP. THERMOPLASTIC UL 94V-0	BLACK

UNLESS OTHERWISE SPECIFIED TOLERANCES		Singatron Enterprise Co., Ltd. 信音企業股份有限公司		
DECIMALS:	ANGLES:	TITLE	USB 3.0 CONNECTOR H=3.86	
X :±0.5	X :±2'	DWN	YUREN	PART NO.2UB3Y52-000101F
X.X :±0.3	X.X :±1'	CHKD	CERRY	SCALE 4:1 UNIT: mm
X.XX :±0.2		APVD	LIAO	SIZE: A3 SHEET:1 OF 1 REV:C
CUSTOMER COPY				