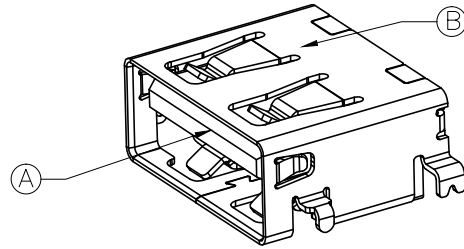
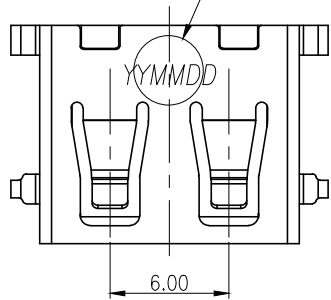


REV.	ECN NO OR DESCRIPTION	REVISED	DATE
A	PDR NO:S160304-3A	JTTLUCKY	2016.09.26

吸件參考區域



3D VIEW

SPECIFICATIONS:

1. ELECTRICAL CHARACTERISTICS:

- 1-1. CURRENT RATING: 1.8A (PIN1,4) ; OTHER CONTACTS 0.25A
- 1-2. CONTACT RESISTANCE: 30mΩ MAX.
- 1-3. DIELECTRIC WITHSTANDING VOLTAGE: 100V AC FOR 1 MINUTE
- 1-4. INSULATION RESISTANCE: 100MΩ MIN

2. MECHANICAL CHARACTERISTICS:

- 2-1. INSERTION FORCE : 1.0~4.5 Kgf
- 2-2. WITHDRAWAL FORCE : 1.0~4.5 Kgf

3. DURABILITY: 5,000 CYCLES.

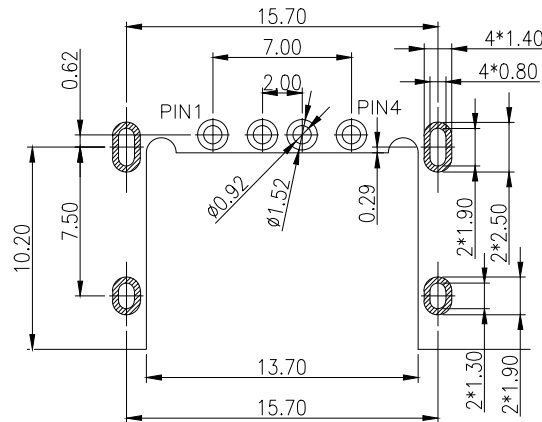
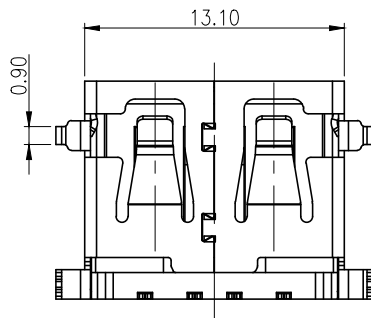
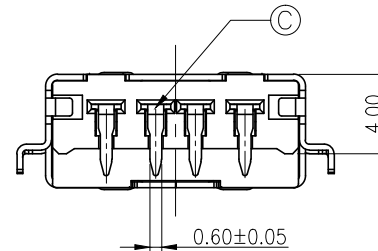
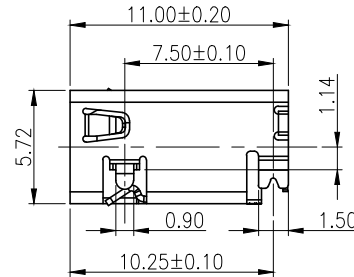
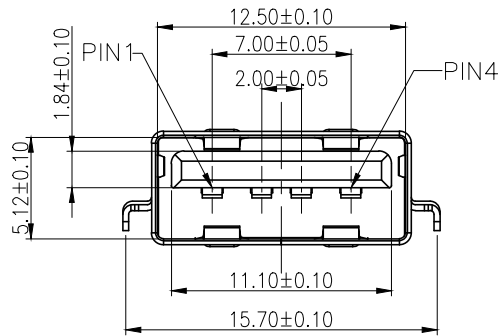
4. TO CONFORM TO SINGATRON HAZARDOUS SUBSTANCE FREE SPEC.

5. HALOGEN PRODUCT IDENTIFICATION LABEL ON PACKAGING: 

6. FOR REFLOW SOLDERING LEAD-FREE PROCESS.

7. DATE : YMMDD


8. PACKAGING : TAPE & REEL.



Recommended P.C.B Layout(THK:1.0mm)

TOLERANCE = ±0.05

Pin Number	Signal ASSIGNMENT
PIN 1	VBUS
PIN 2	D-
PIN 3	D+
PIN 4	GND

C	TERMINAL	4	BRASS	GOLD FLASH ON MATING AREA, 100u"MIN MATT TIN PLATED ON SOLDERING
B	SHELL	1	STAINLESS STEEL	BACK NICKEL 60u"MIN
A	HOUSING	1	HIGH TEMP. THERMOPLASTIC UL 94V-0	Pure BLACK
NO	DESCRIPTION	QTY	MATERIAL	PLATING & COLOR
UNLESS OTHERWISE SPECIFIED TOLERANCES		 Singatron Enterprise Co., Ltd. 信音企業股份有限公司		
DECIMALS: X :±0.5		TITLE: USB 2.0 CONNECTOR H=1.14		
ANGLES: X.X :±2°		DWN: jtllucky PART NO.2UB3Y74-000111F		
X.XX :±0.3		CHKD: james SCALE 4:1 UNIT: mm		
X.XX :±0.2		APVD: boye SIZE: A3 SHEET:1 OF 1 REV: A		
CUSTOMER COPY				