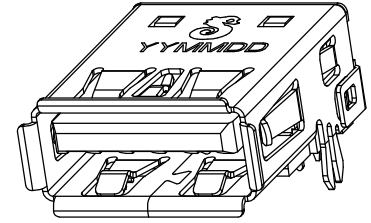
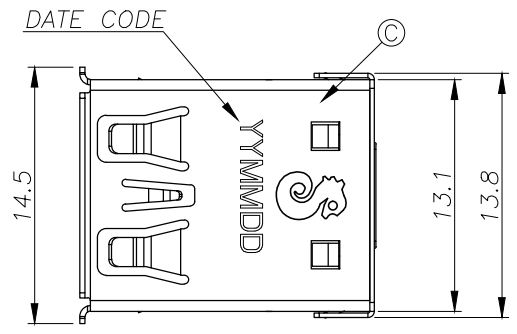



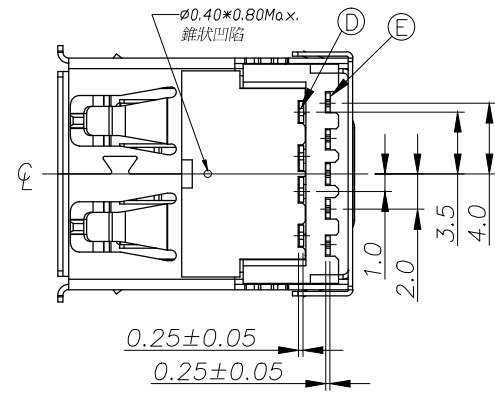
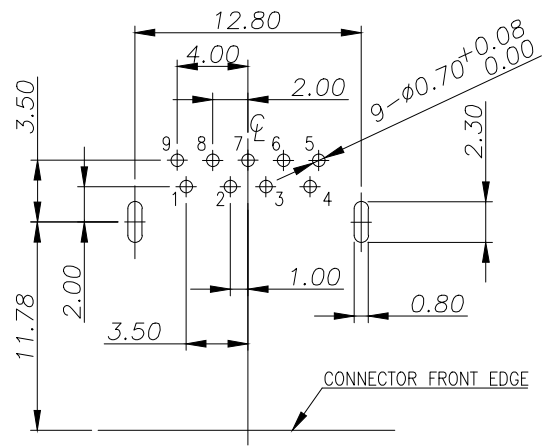
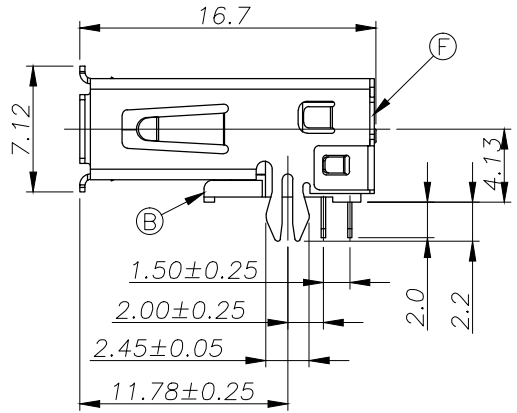
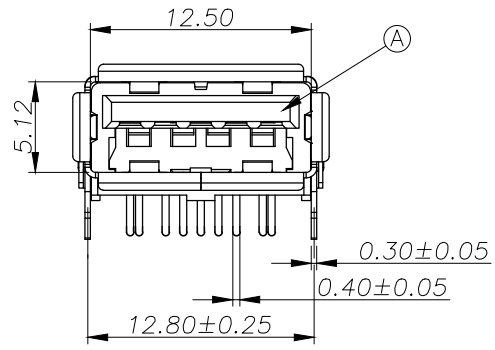
1 2 3 4 5 6 7 8

REV.	ECN NO OR DESCRIPTION	REVISED	DATE
C	ECN NO : T120052	GEAR	2012.06.19
D	ECN NO : S150656-R	PENG	2015.08.31
E	ECN NO : S160451-Q	PENG	2016.07.05



SPECIFICATIONS:

- ELECTRICAL CHARACTERISTICS:**
 - CURRENT RATING: 1.8A (PIN1,4) ; OTHER CONTACTS 0.25A
 - CONTACT RESISTANCE: 30mΩ MAX.
 - DIELECTRIC WITHSTANDING VOLTAGE: 100V AC FOR 1 MINUTE
 - INSULATION RESISTANCE: 100MΩ MIN
- MECHANICAL CHARACTERISTICS:**
 - INSERTION FORCE : 3.5 Kgf MAX
 - WITHDRAWAL FORCE : 1.0 Kgf(INITIAL),0.8Kgf(AFTER TEST)
- DURABILITY:** 5,000 CYCLES.
- TO CONFORM TO SINGATRON HAZARDOUS SUBSTANCE FREE SPEC.
- HALOGEN FREE PRODUCT IDENTIFICATION MARK ON JACK: ©
- HALOGEN FREE PRODUCT IDENTIFICATION LABEL ON PACKAGING: 
- FOR WAVE SOLDERING LEAD-FREE PROCESS.
- DATE : YYMMDD
- PACKAGING : TAPE & REEL.



Recommended P.C.B Layout
(Component Side)

NO	DESCRIPTION	QTY	MATERIAL	PLATING & COLOR
F	SHELL COVER	1	SUS	
E	TERMINAL	5	BRASS	5u" GOLD OVER 30u" Pd PLATED ON MATING AREA, GOLD FLASH PLATED ON SOLDERING AREA, 50u" NICKEL UNDER PLATING OVERALL
D	TERMINAL	4	PHOSPHOR BRONZE	5u" GOLD OVER 30u" Pd PLATED ON MATING AREA, GOLD FLASH PLATED ON SOLDERING AREA, 50u" NICKEL UNDER PLATING OVERALL
C	SHELL	1	SUS	NICKEL 60u" MIN
B	BASE	1	THERMOPLASTIC	BLUE (300C)
A	COVER	1	THERMOPLASTIC	BLUE (300C)
UNLESS OTHERWISE SPECIFIED TOLERANCES		 Singatron Enterprise Co., Ltd. 信音企業股份有限公司		
DECIMALS: ANGLES:		TITLE USB 3.0 CONNECTOR		
X	:±0.5	X	:±2°	DWN peng PART NO.2UB4001-000101
X.X	:±0.3	X.X	:±1°	CHKD james SCALE 1:1 UNIT: mm
X.XX	:±0.2	APVD boye	SIZE: A3	SHEET: 1 OF 1 REV: E
CUSTOMER COPY				

1 2 3 4 5 6 7 8