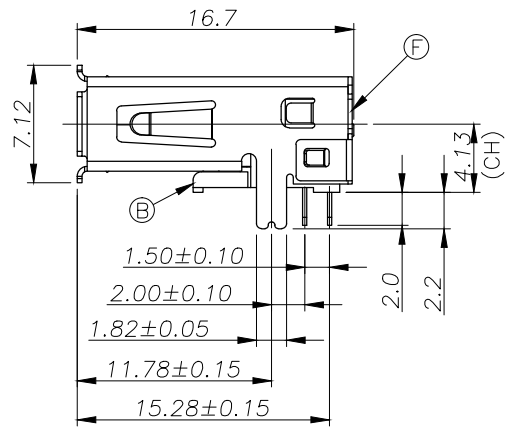
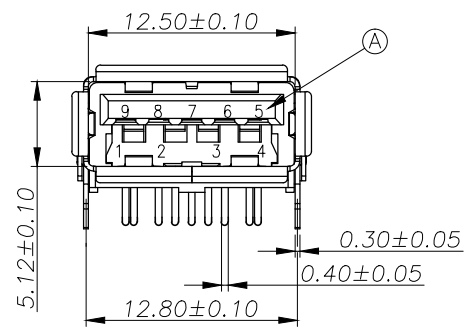
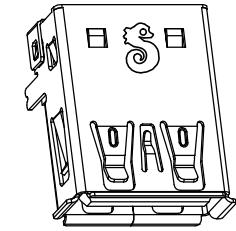
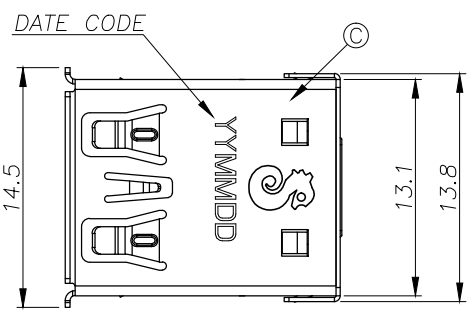


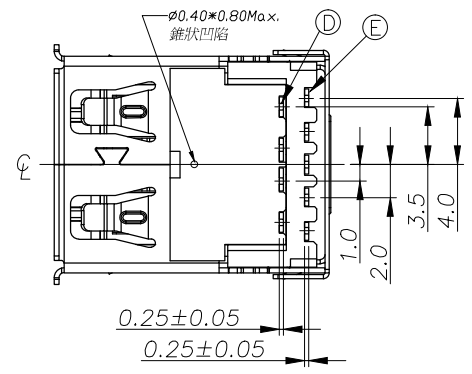
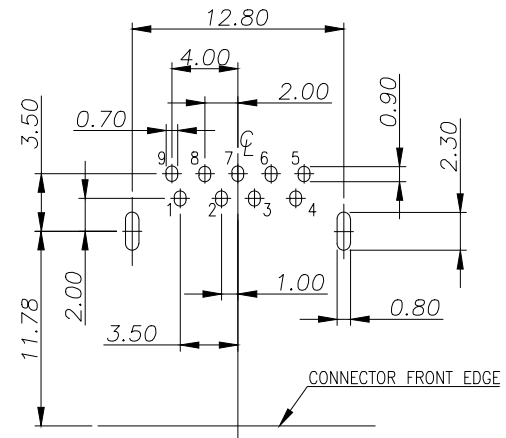
REV.	ECN NO OR DESCRIPTION	REVISED	DATE
A	PDR NO.:T150723-1A	TOMMY	2015.11.04
B	ECN NO.:S160451-Q	peng	2016.07.05



SPECIFICATIONS:

- ELECTRICAL CHARACTERISTICS:**
 - CURRENT RATING: 1.8A (PIN1,4) ; OTHER CONTACTS 0.25A
 - CONTACT RESISTANCE: 30mΩ MAX.
 - DIELECTRIC WITHSTANDING VOLTAGE: 100V AC FOR 1 MINUTE
 - INSULATION RESISTANCE: 100MΩ MIN
- MECHANICAL CHARACTERISTICS:**
 - INSERTION FORCE : 35N MAX
 - WITHDRAWAL FORCE : 10N MIN
- DURABILITY: 5,000 CYCLES.
- TO CONFORM TO SINGATRON HAZARDOUS SUBSTANCE FREE SPEC.
- HALOGEN PRODUCT IDENTIFICATION MARK ON JACK:
- HALOGEN PRODUCT IDENTIFICATION LABEL ON PACKAGING:
- FOR IR Reflow
- DATE : YMMDD
- PACKAGING : TAPE & REEL.

Pin Number	Signal ASSIGNMENT
PIN 1	VBUS
PIN 2	D-
PIN 3	D+
PIN 4	GND
PIN 5	StdA_SSRX-
PIN 6	StdA_SSRX+
PIN 7	GND_DRAIN
PIN 8	StdA_SSTX-
PIN 9	StdA_SSTX+



F	SHELL COVER	1	SUS 304-1/2H 0.25T	
E	TERMINAL	5	C2680-H 0.25T	5u" GOLD OVER 30u" Pd PLATED ON MATING AREA, GOLD FLASH PLATED ON SOLDERING AREA, NICKEL UNDER PLATING OVERALL
D	TERMINAL	4	C5210-EH 0.25T	5u" GOLD OVER 30u" Pd PLATED ON MATING AREA, GOLD FLASH PLATED ON SOLDERING AREA, NICKEL UNDER PLATING OVERALL
C	SHELL	1	SUS 304-1/2H 0.3T	NICKEL 60u" MIN
B	BASE	1	PA9T+30% GF UL-94-V0	BLUE (300C)
A	HOUSING	1	PA9T+30% GF UL-94-V0	BLUE (300C)
NO	DESCRIPTION	QTY	MATERIAL	PLATING & COLOR
UNLESS OTHERWISE SPECIFIED TOLERANCES		Singatron Enterprise Co., Ltd. 信音企業股份有限公司		
DECIMALS: ANGLES:		TITLE: USB 3.0 CONNECTOR		
X :±0.5	X :±2°	DWN: peng	PART NO. 2UB4001-170101F	
X.X :±0.3	X.X :±1°	CHKD: james	SCALE 1:1	UNIT: mm
X.XX :±0.2		APVD: boye	SIZE: A3	SHEET: 1 OF 1
REV: B				
CUSTOMER COPY				