

REV	ECN NO	OR DESCRIPTION	REVISED	DATE
A	PDR NO: T170920-34	Eileen	2018.03.08	

**SPECIFICATIONS:**

- ELECTRICAL CHARACTERISTICS:**
  - CURRENT RATING: 1.8A (PIN1,4) ; OTHER CONTACTS 0.25A
  - CONTACT RESISTANCE: 30mΩ MAX.
  - DIELECTRIC WITHSTANDING VOLTAGE: 100V AC FOR 1 MINUTE
  - INSULATION RESISTANCE: 100MΩ /MIN
- MECHANICAL CHARACTERISTICS:**
  - INSERTION FORCE : 3.5 kgf MAX
  - WITHDRAWAL FORCE : 1.0 kgf (INITIAL), 0.8kgf(AFTER TEST)
- DURABILITY:** 5,000 CYCLES.
- TO CONFORM TO SINGATRON HAZARDOUS SUBSTANCE FREE SPEC.**
- HALOGEN FREE IDENTIFICATION MARK ON JACK:** ☉
- HALOGEN FREE IDENTIFICATION LABEL ON PACKAGING:** ☉
- FOR IR RE-FLOW PROCESS.**
- DATE :** YYMMDD
- PACKAGING :** TAPE & REEL.

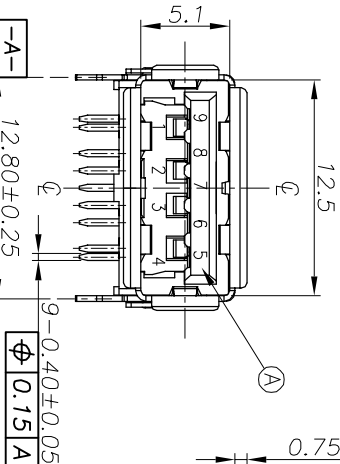
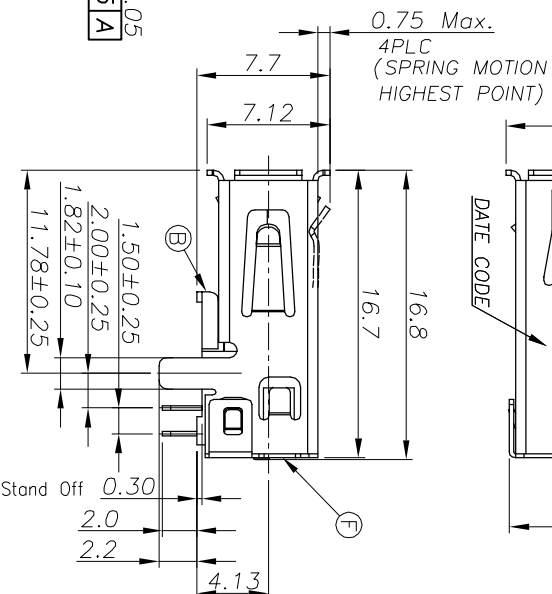
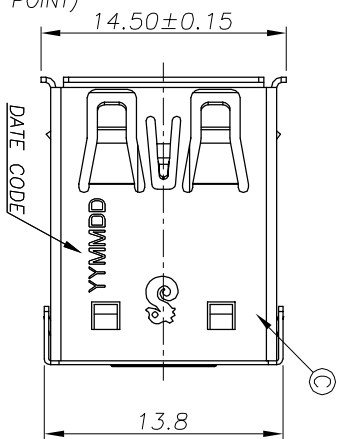


TABLE:

PART NO	COLOR
ZUB4001-201101F	BLACK

Pin Number	Signal NAME
1	VBUS
2	D-
3	D+
4	GND
5	SD4_SSPX-
6	SD4_SSPX+
7	GND_DRAIN
8	SD4_SSTX-
9	SD4_SSTX+

F	SHELL COVER	1	SPCC	NICKEL 60U"MIN
E	TERMINAL	5	BRASS	2.2u OER 30-74u/Plated on WIRING AREA 120u" Sn PLATED ON SOLDERING 80u"Nickel UNDER PLATING OVERALL
D	TERMINAL	4	PHOSPHOR BRONZE	2.1u OER 30-74u/Plated on WIRING AREA 120u" Sn PLATED ON SOLDERING 80u"Nickel UNDER PLATING OVERALL
C	SHELL	1	SUS	NICKEL 60U"MIN
B	BASE	1	THERMOPLASTIC	SEE TABLE
A	COVER	1	THERMOPLASTIC	SEE TABLE
NO	DESCRIPTION	QTY	MATERIAL	PLATING & COLOR

UNLESS OTHERWISE SPECIFIED TOLERANCES

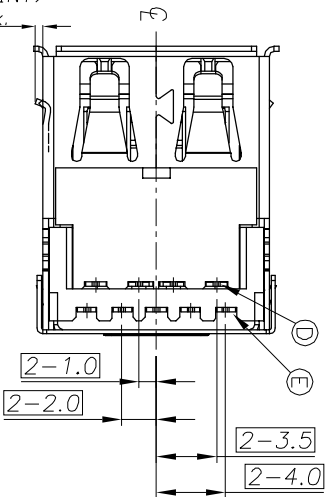
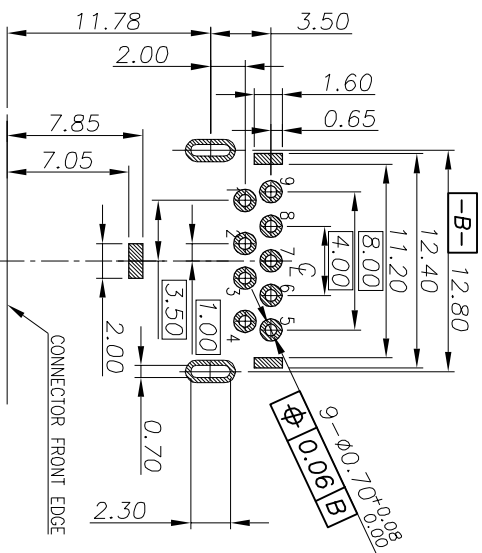
Singatron Enterprise Co., Ltd.  
信譽企業股份有限公司

DECIMALS:	ANGLES:	TITLE	USB 3.0 CONNECTOR
X :±0.5	X :±2'	DWN	Eileen
X.X :±0.3	X.X :±1'	CHKD	James
X.XX :±0.2		APVD	Boye

PART NO.	ZUB4001-201101F
SCALE	1:1
UNIT	mm
SHEET	1 OF 1
REV	A

Recommended P.C.B Layout  
(Component Side) TOLERANCE=±0.03 TOP VIEW

(SPRING MOTION HIGHEST POINT)  
0.50 Max.  
2PLC



A  
B  
C  
D  
E  
F  
1  
2  
3  
4  
5  
6  
7  
8