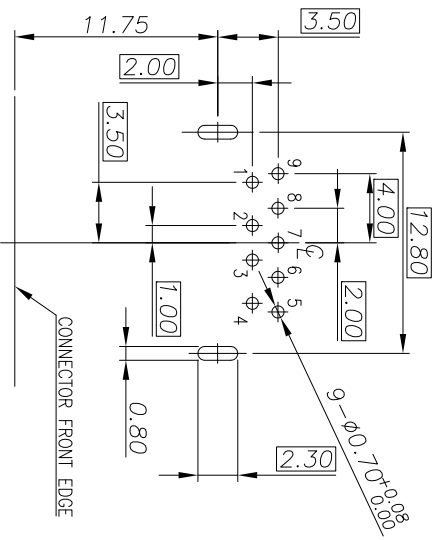
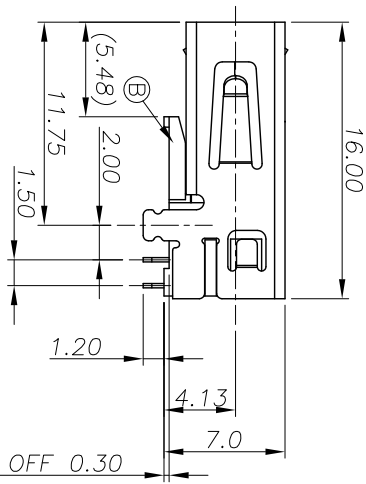
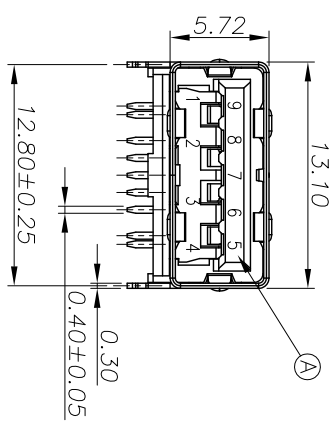
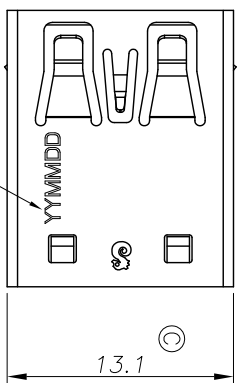
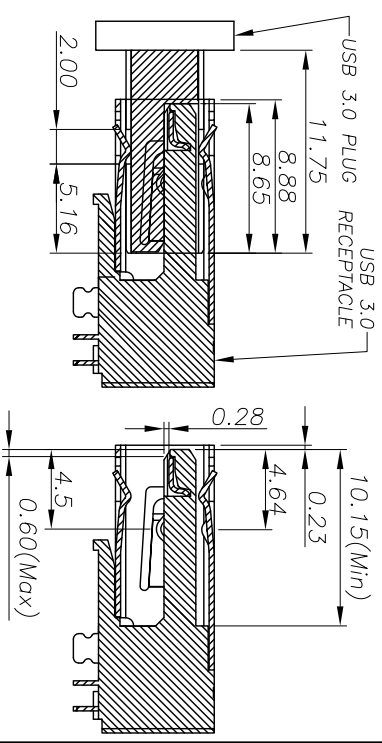
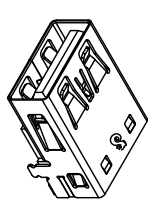
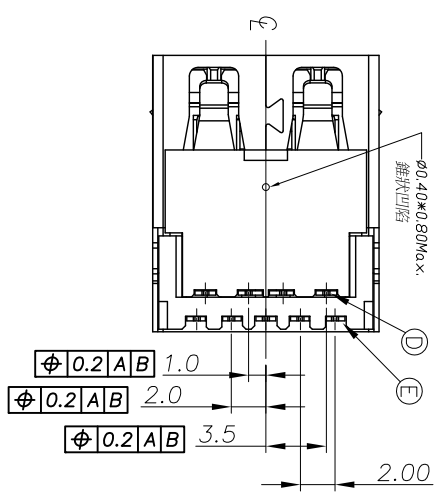


SPECIFICATIONS:

1. ELECTRICAL CHARACTERISTICS:
 - 1-1. CURRENT RATING: 1.8A (PIN1,4) ; OTHER CONTACTS 0.25A
 - 1-2. CONTACT RESISTANCE: 30mΩ MAX.
 - 1-3. DIELECTRIC WITHSTANDING VOLTAGE: 100V AC FOR 1 MINUTE
 - 1-4. INSULATION RESISTANCE: 100MΩ MIN
2. MECHANICAL CHARACTERISTICS:
 - 2-1. INSERTION FORCE : 3.5 Kgf MAX
 - 2-2. WITHDRAWAL FORCE : 1.0 kgf MIN(INITIAL),0.8 kgf(AFTER TEST)
3. DURABILITY: 5,000 CYCLES.
4. TO CONFORM TO SINGATRON HAZARDOUS SUBSTANCE FREE SPEC.
5. HALOGEN FREE IDENTIFICATION MARK ON JACK:
6. HALOGEN FREE IDENTIFICATION LABEL ON PACKAGING:
7. FOR WAVE SOLDERING LEAD-FREE PROCESS.
8. DATE : YYMMDD
9. PACKAGING : TAPE & REEL.



Recommended P.C.B. Layout
(Component Side) TOLERANCE=±0.03 TOP VIEW



REV.	ECN NO. OR DESCRIPTION	REVISED	DATE
A	PRODUCT RELEASE	Acheng	2012.04.12
B	ECN NO: T120052	GEAR	2012.06.19
C	ECN NO: T120125	Duke	2013.05.29

E	TERMINAL	5	BRASS	
D	TERMINAL	4	PHOSPHOR BRONZE	24" GOLD OVER 30μ" Ni PLATED ON MATING AREA, 120μ" Ni PLATED ON SOLDERING 80μ" NICKEL UNDER PLATING OVERALL
C	SHELL	1	SUS	NICKEL 60μ" MIN
B	BASE	1	PA9T	BLACK
A	COVER	1	PA9T	BLACK
NO	DESCRIPTION	QTY	MATERIAL	PLATING & COLOR

UNLESS OTHERWISE SPECIFIED TOLERANCES

Singatron Enterprise Co., Ltd.
信登企業股份有限公司

TITLE: USB 3.0 CONNECTOR

DWN: DWK PART NO. 2UB4001-600101F

CHKD: SCALE 1:1 UNIT: mm

APVD: ACHENG 2013.5.31 SIZE: A3 SHEET: 1 OF 1 REV: C

CUSTOMER COPY