
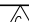
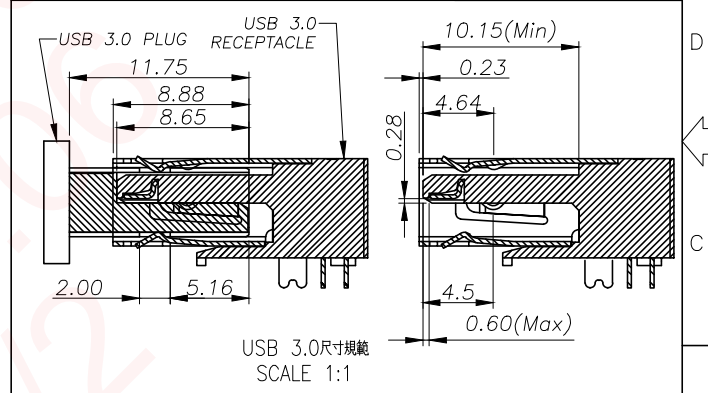
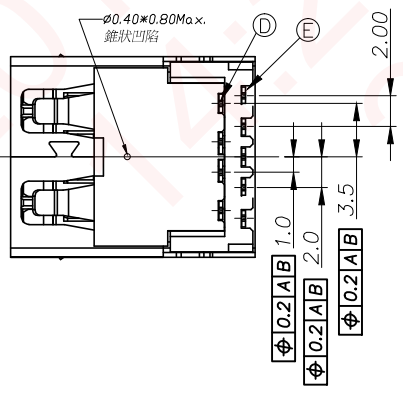
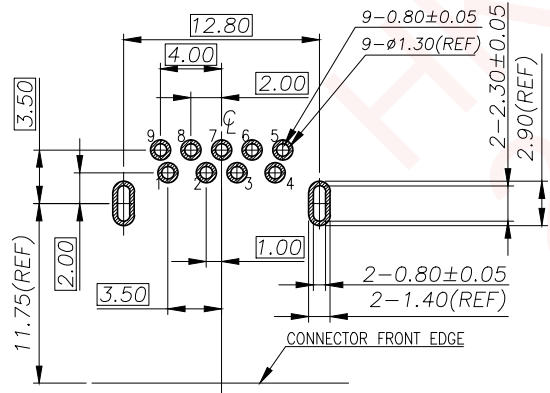
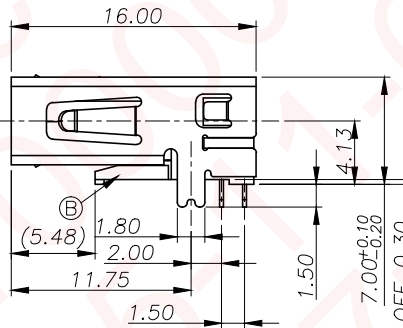
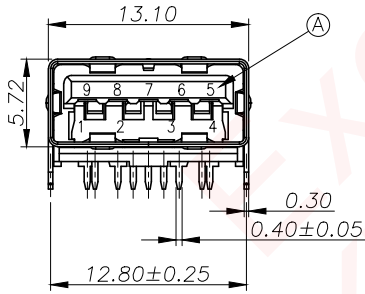
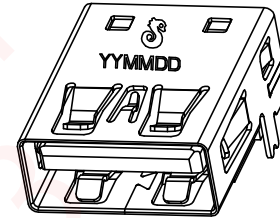
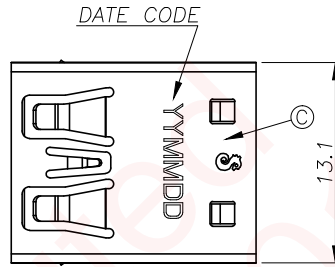


SPECIFICATIONS:

1. ELECTRICAL CHARACTERISTICS:
 - 1-1. CURRENT RATING: 1.8A (PIN1,4) ; OTHER CONTACTS 0.25A
 - 1-2. CONTACT RESISTANCE: 30mΩ MAX.
 - 1-3. DIELECTRIC WITHSTANDING VOLTAGE: 100V AC FOR 1 MINUTE
 - 1-4. INSULATION RESISTANCE: 100MΩ MIN
2. MECHANICAL CHARACTERISTICS:
 - 2-1. INSERTION FORCE : 3.5 Kgf MAX
 - 2-2. WITHDRAWAL FORCE : 1.0 Kgf MIN(INITIAL),0.8 Kgf(AFTER TEST)
3. DURABILITY: 5,000 CYCLES.
4. TO CONFORM TO SINGATRON HAZARDOUS SUBSTANCE FREE SPEC.
5. HALOGEN FREE IDENTIFICATION MARK ON JACK: ©
6. HALOGEN FREE IDENTIFICATION LABEL ON PACKAGING: 
7. FOR IR-REFLOW LEAD-FREE PROCESS.
8. DATE : YYMMDD
9. PACKAGING : TAPE & REEL.

REV.	ECN NO OR DESCRIPTION	REVISED	DATE
A	PRODUCT RELEASE	Victor	2013.08.29
B	ECN NO. T130091	Duke	2013.12.23
C	ECN NO. S150919-Q 	PENG	2015.10.14

Pin Number	Signal ASSIGNMENT
PIN 1	VBUS
PIN 2	D-
PIN 3	D+
PIN 4	GND
PIN 5	StdA_SSRX-
PIN 6	StdA_SSRX+
PIN 7	GND_DRAIN
PIN 8	StdA_SSTX-
PIN 9	StdA_SSTX+



NO	DESCRIPTION	QTY	MATERIAL	PLATING & COLOR
E	TERMINAL	5	BRASS	30μ" Au ON CONTACT AREA, 100μ" MATTE Sn PLATED ON SOLDERING
D	TERMINAL	4	PHOSPHOR BRONZE	60μ" NICKEL UNDER PLATING OVERALL
C	SHELL	1	SUS	BLACK NICKEL 60μ"MIN
B	BASE	1	PA9T	BLACK
A	COVER	1	PA9T	BLACK

Recommended P.C.B Layout (THICKNESS=1.2mm)
(Component Side) TOLERANCE=±0.03 TOP VIEW

UNLESS OTHERWISE SPECIFIED TOLERANCES		Singatron Enterprise Co., Ltd. 信音企業股份有限公司			
DECIMALS:	ANGLES:	TITLE	USB 3.0 CONNECTOR		
X : ±0.5	X : ±2°	DWN	PENG	PART NO. 2UB4001-600201F	
X.X : ±0.4	X.X : ±1°	CHKD	CERRY	SCALE 1:1	UNIT: mm
X.XX : ±0.3		APVD	LIAO	SIZE: A3	SHEET: 1 OF 1
CUSTOMER COPY					