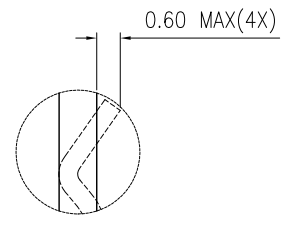
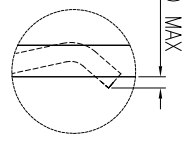
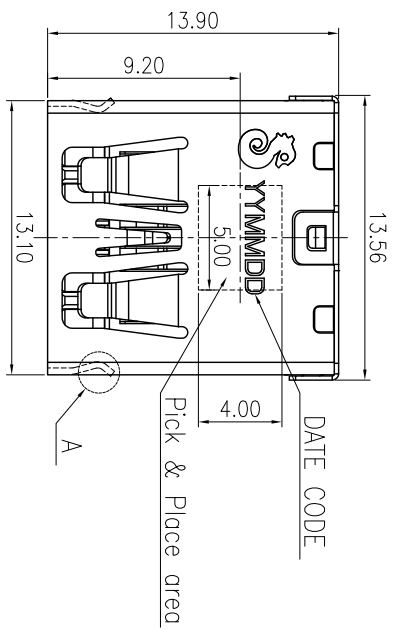
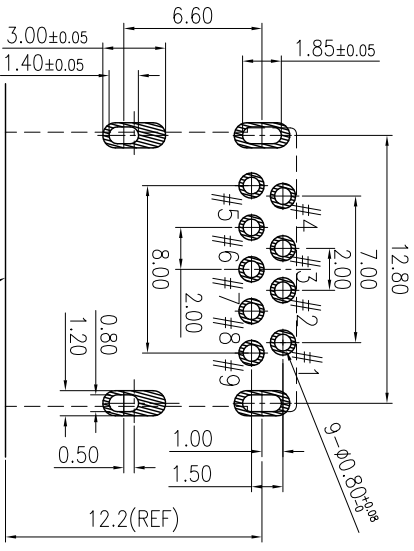
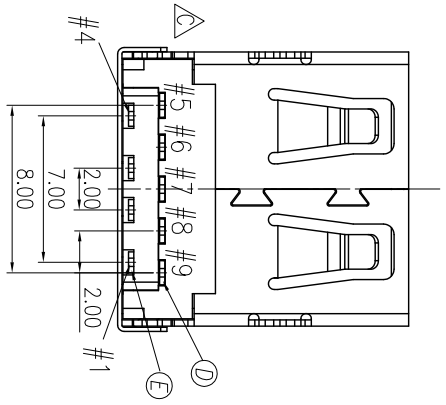
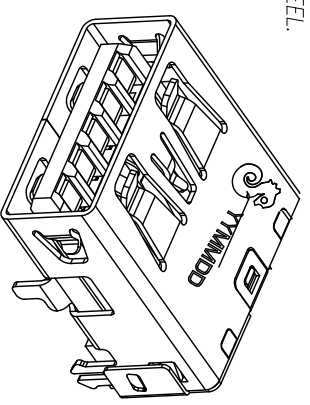
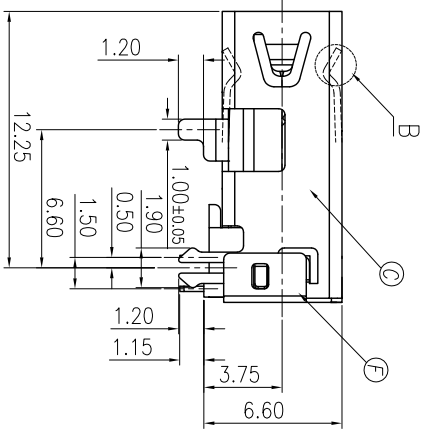
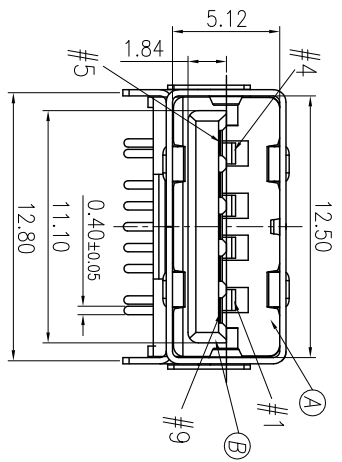


REV.	ECN NO OR DESCRIPTION	REVISED	DATE
B	ECN:C120375 MODIFY MATERIAL	DAOWEN	2013.3.12
C	ECN:C120382 MODIFY DRAWING	DAOWEN	2013.4.12
D	ECN NO:C120371 MODIFY BODY	BILLY	2013.05.23



Detail A
PLUG IN
Spring Motion Highest Point
Detail B

- SPECIFICATIONS:
1. ELECTRICAL CHARACTERISTICS:
- 1-1. CURRENT RATING: 2.0A (PIN1,4) ; OTHER CONTACTS 0.25A
 - 1-2. CONTACT RESISTANCE: 30mΩ MAX.
 - 1-3. DIELECTRIC WITHSTANDING VOLTAGE: 500V AC FOR 1 MINUTE
 - 1-4. INSULATION RESISTANCE: 100MΩ MIN
2. MECHANICAL CHARACTERISTICS:
- 2-1. INSERTION FORCE : 3.5 Kgf MAX
 - 2-2. WITHDRAWAL FORCE : 1.0 Kgf MIN
- 3. DURABILITY: 5,000 CYCLES.
 - 4. OTHER SPEC TO REFER USB 3.0 SPEC.
 - 5. TO CONFORM TO SINGATRON HAZARDOUS SUBSTANCE FREE SPEC.
 - 6. HALOGEN FREE PRODUCT IDENTIFICATION MARK : ◎
 - 7. HALOGEN FREE PRODUCT IDENTIFICATION LABEL ON PACKAGING:
 - 7. FOR REFLOW SOLDERING LEAD-FREE PROCESS.
 - 8. PACKAGING : TAPE & REEL.



NO	DESCRIPTION	QTY	MATERIAL	PLATING & COLOR
A	BASE	1	HIGH TEMPERATURE UL94V-0	BLUE(300C)
B	HOUSING	1	HIGH TEMPERATURE UL94V-0	BLUE(300C)
C	SHELL	1	SUS 0.30t	NICKEL 60u" MIN
D	5P TERMINAL	5	PHOSPHOR BRONZE 0.25t	NICKEL 60u" MIN
E	4P TERMINAL	4	PHOSPHOR BRONZE 0.25t	NICKEL 60u" MIN
F	REAR SHELL	1	SUS 0.20t	N/A

UNLESS OTHERWISE SPECIFIED TOLERANCES

Singatron Enterprise Co., Ltd.
信音企業股份有限公司

TITLE	USB3.0 REVERSE CONNECTOR
DWN	BILLY 13/5/29
CHKD	ZUZ 13/5/29
APVD	Liao 13/5/29
SCALE	4:1
UNIT	mm
SHEET	1 OF 1
REV.	D