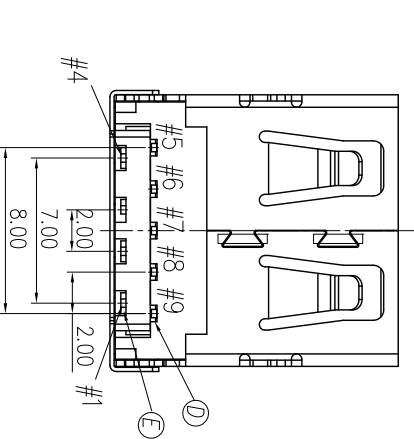
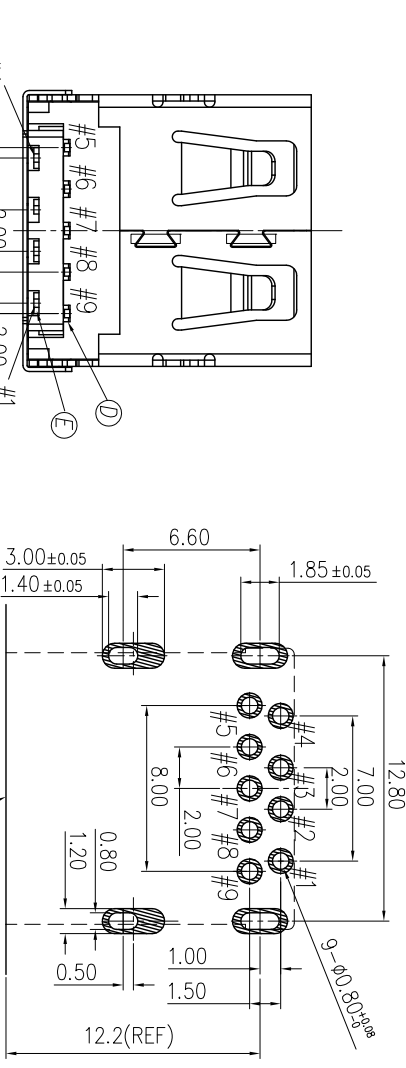
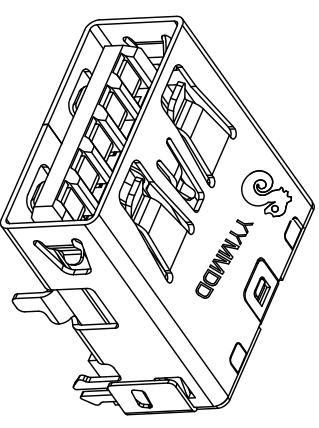
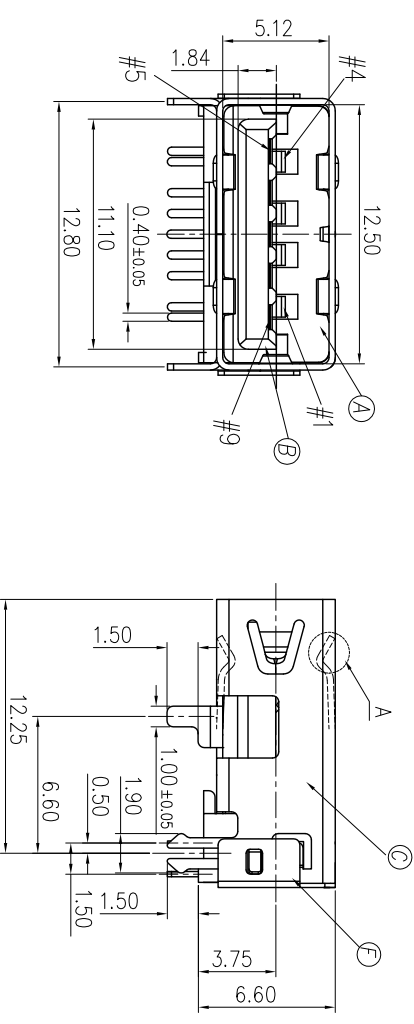
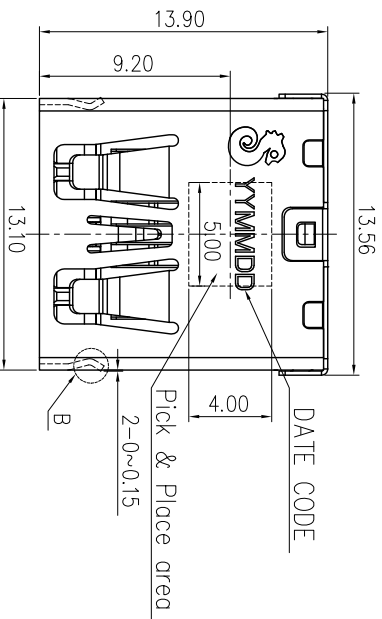
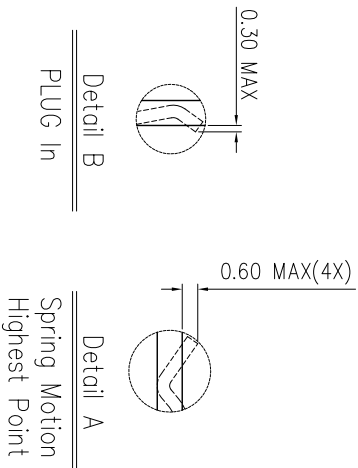


REV	ECN NO	OR DESCRIPTION	REVISED	DATE
A	PRODUCE	RELEASE	ZHOU Q	2012.02.10
B	ECN NO: C120371	MODIFY BODY	BILL Y	2013.05.23

**SPECIFICATIONS:**

- 1. ELECTRICAL CHARACTERISTICS:**  
 1-1 CURRENT RATING: 1.8A (PIN1, 4); OTHER CONTACTS: 0.25A  
 WORKING RATED VOLTAGE: 30V AC  
 1-2. CONTACT RESISTANCE: 30mΩ MAX.  
 1-3. DIELECTRIC WITHSTANDING VOLTAGE: 100V AC FOR 1 MINUTE  
 1-4. INSULATION RESISTANCE: 100MΩ MIN
- 2. MECHANICAL CHARACTERISTICS:**  
 2-1. INSERTION FORCE : 3.5 Kgf MAX  
 2-2. WITHDRAWAL FORCE : 1.0 Kgf MIN  
 3. DURABILITY: 5,000 CYCLES.  
 4. OTHER SPEC TO REFER USB 3.0 SPEC.  
 5. TO CONFORM TO SINGATRON HAZARDOUS SUBSTANCE FREE SPEC.  
 6. HALOGEN FREE PRODUCT IDENTIFICATION MARK : (C)  
 7. HALOGEN FREE PRODUCT IDENTIFICATION LABEL ON PACKAGING.  
 8. FOR REFLOW SOLDERING LEAD-FREE PROCESS.  
 9. PACKAGING : TAPE & REEL.



F	REAR SHELL	1	STEEL	N/A
E	4P TERMINAL	4	COPPER ALLOY	GOLD 5μ" OVER Pd/Ni 30μ" ON CONTACT AREA, GOLD FLASH ON SOLDE TAIL, ALL OVER 500" NICKEL PLATED
D	5P TERMINAL	5	COPPER ALLOY	
C	SHELL	1	STEEL	NICKEL 60μ" MIN
B	HOUSING	1	HIGH TEMPERATURE UL94V-0	BLUE(300C)
A	BASE	1	HIGH TEMPERATURE UL94V-0	BLUE(300C)
NO	DESCRIPTION	QTY	MATERIAL	PLATING & COLOR

UNLESS OTHERWISE SPECIFIED TOLERANCES

Singatron Enterprise Co., Ltd.  
信音企業股份有限公司

TITLE	USB3.0 REVERSE CONNECTOR
DWN	Rev: 13/3/23 PART NO. ZUB4004-001121F
CHKD	Size: 13/3/23 SCALE 4:1 UNIT: mm
APVD	Lab: 13/3/23 SIZE: A3 SHEET: OF 1 REV: B

CUSTOMER COPY